



## Main

|                           |                           |
|---------------------------|---------------------------|
| Range of Product          | Harmony GTU               |
| Product or Component Type | Flat screen               |
| Terminal type             | Touchscreen display       |
| [Us] rated supply voltage | 12...24 V DC power supply |
| Supply voltage limits     | 10.8...28.8 V             |
| Power Consumption in W    | 15 W                      |
| Inrush current            | 30 A                      |

## Complementary

|                            |                                       |
|----------------------------|---------------------------------------|
| Integrated connection type | USB 2.0 type A<br>USB 2.0 type mini B |
| Touchscreen resolution     | 1024 x 1024                           |
| Pixel resolution           | 800 x 600                             |
| Display size               | 10.4 inch                             |
| Aspect ratio               | 4:3                                   |
| Display type               | Colour TFT LCD                        |
| Display Resolution         | 800 x 600 pixels SVGA                 |
| Display colour             | 16 million colours                    |
| Backlight lifespan         | 50000 hours                           |
| Touch panel                | Multi touch analogue resistive        |
| Function Available         | Brightness sensor                     |
| Type of cooling            | Natural convection                    |
| Type of Installation       | Indoor installation                   |
| Cut-out dimensions         | 259 (+ 1/- 0) x 201 (+ 1/- 0) mm      |
| Width                      | 10.73 in (272.5 mm)                   |
| Height                     | 8.44 in (214.5 mm)                    |
| Depth                      | 2.64 in (67 mm)                       |
| Net Weight                 | 5.95 lb(US) (2.7 kg)                  |

## Environment

|                                       |   |
|---------------------------------------|---|
| IP degree of protection               | Front panel IP66<br>Front panel IP67  |
| NEMA degree of protection             | NEMA 4X front panel   |
| Standards                             | UL 508<br>ANSI/ISA 12-12-01<br>Class I division 2 CSA C22.2 No 213<br>CSA C22.2 No 142<br>IEC 61132-2 |
| Product certifications                | CULus[RETURN]CE[RETURN]KC[RETURN]RCM[RETURN]UKCA[RETURN]UKEX  |
| Ambient air temperature for operation | 32...140 °F (0...60 °C) IEC 61131-2   |
| Ambient air temperature for storage   | -4...140 °F (-20...60 °C)   |
| Relative Humidity                     | 10...90 % non-condensing  |
| Operating altitude                    | 6561.68 ft (2000 m)   |
| Vibration resistance                  | 3.5 mm constant amplitude 5...9 Hz) IEC 61131-2<br>9.8 m/s <sup>2</sup> 9...150 Hz) IEC 61131-2       |

|                               |   |
|-------------------------------|---|
| Shock resistance              | 147 m/s <sup>2</sup> IEC 61131-2  |
| Electromagnetic compatibility | Electrostatic discharge immunity test level 3 conforming to IEC 61000-4-2 |

## Ordering and shipping details

|                   |                       |
|-------------------|-----------------------|
| Category          | 22567-MAGELIS HMI GTU |
| Discount Schedule | MC2                   |
| GTIN              | 3606480687259         |
| Returnability     | Yes                   |
| Country of origin | CN                    |

## Packing Units

|                              |                        |
|------------------------------|------------------------|
| Unit Type of Package 1       | PCE                    |
| Number of Units in Package 1 | 1                      |
| Package 1 Height             | 8.27 in (21 cm)        |
| Package 1 Width              | 12.99 in (33 cm)       |
| Package 1 Length             | 14.57 in (37 cm)       |
| Package 1 Weight             | 8.43 lb(US) (3.826 kg) |

## Offer Sustainability

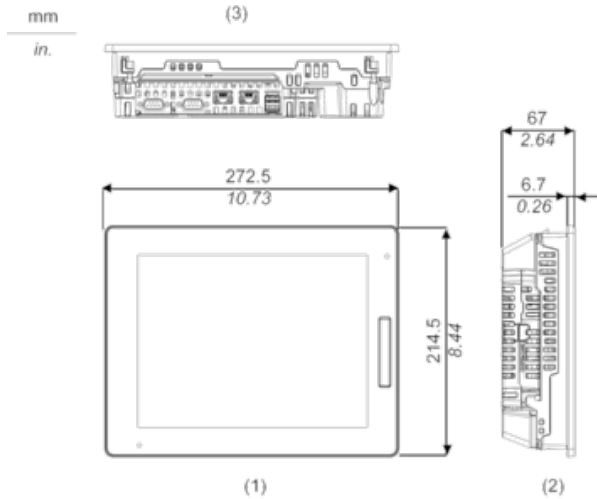
|                            |   |
|----------------------------|---|
| Sustainable offer status   | Green Premium product   |
| California proposition 65  | WARNING: This product can expose you to chemicals including: Lead and lead compounds, which is known to the State of California to cause cancer and birth defects or other reproductive harm. For more information go to <a href="http://www.P65Warnings.ca.gov">www.P65Warnings.ca.gov</a> |
| REACH Regulation           | <a href="#">REACH Declaration</a>   |
| EU RoHS Directive          | Pro-active compliance (Product out of EU RoHS legal scope)  |
| Mercury free               | Yes   |
| China RoHS Regulation      | <a href="#">China RoHS Declaration</a>  |
| RoHS exemption information | <a href="#">Yes</a>   |
| Environmental Disclosure   | <a href="#">Product Environmental Profile</a>   |
| Circularity Profile        | <a href="#">End Of Life Information</a>   |
| WEEE                       | The product must be disposed on European Union markets following specific waste collection and never end up in rubbish bins.  |

## Contractual warranty

|          |           |
|----------|-----------|
| Warranty | 18 months |
|----------|-----------|

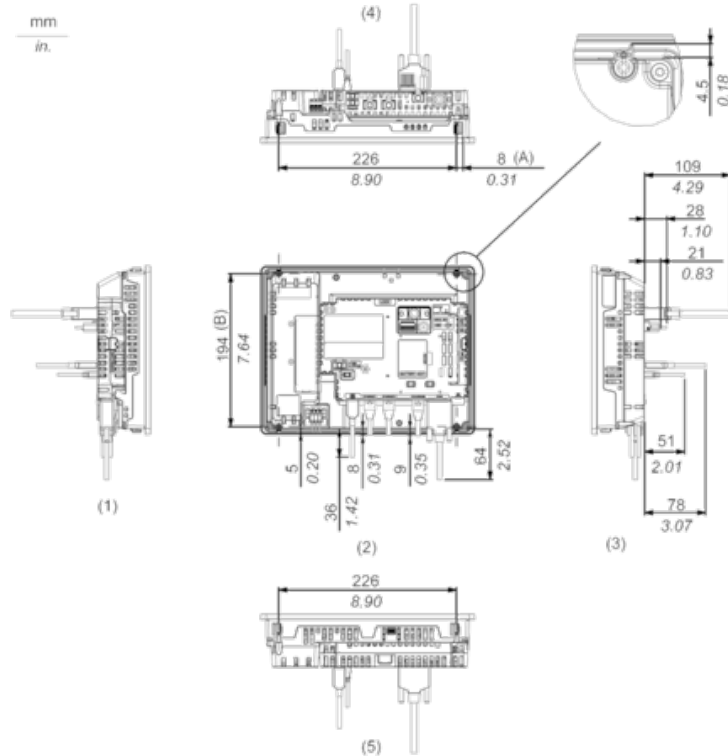
External Dimensions

Display Unit with Box Module



- 1 Front
- 2 Left
- 3 Bottom

Installation with Installation Fasteners and Dimensions with Cables



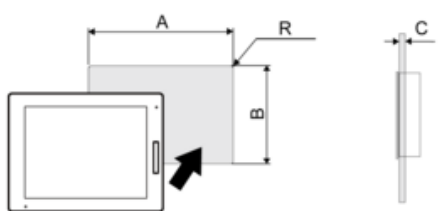
- (A) Rotation area of the fastener
- (B) Pitch of the center of installation fastner screws

- 1 Right
- 2 Front
- 3 Left
- 4 Bottom



Mounting

Panel Cut Dimensions



Dimensions in mm

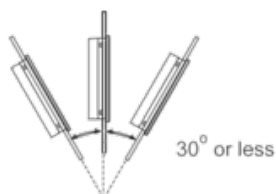
| A           | B           | C       | R      |
|-------------|-------------|---------|--------|
| 259 (+1/-0) | 201 (+1/-0) | 1.6...5 | 3 max. |

Dimensions in in.

| A               | B               | C          | R         |
|-----------------|-----------------|------------|-----------|
| 10.2 (+0.04/-0) | 7.91 (+0.04/-0) | 0.06...0.2 | 0.12 max. |

Installation Requirements

Mounting Angle



When installing this product in a slanted position with an incline more than 30°, the ambient temperature must not exceed 40 °C (104 °F). You may need to use forced air cooling (fan, A/C) to ensure the ambient operating temperature is 40 °C or less (104 °F or less).

Clearance

