



Ignitron™ EN

High pressure sodium with internal ignitor

Reduces maintenance costs

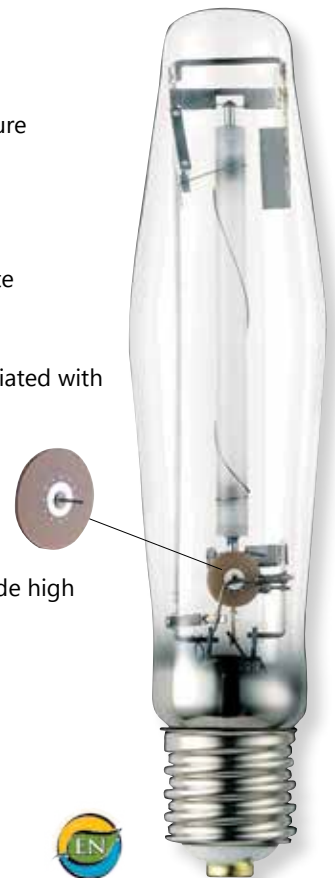
- EYE patented FEC eliminates ignitor replacement and maintenance labour costs, and protects fixture components from high voltage pulsing at the end of lamp life
- 35 000 hours average rated life on most wattages
- Long life performance backed up by a manufacturer's limited warranty; up to 3 years
- Environmentally friendly in that Ignitron lamps pass EPA, TCLP test criteria as non-hazardous waste
 - Lead free base
 - Low mercury content
- Nickel-plated base will not seize in the socket eliminating additional labour and spare parts associated with prying a lamp base out of a fixture socket

FEC Technology

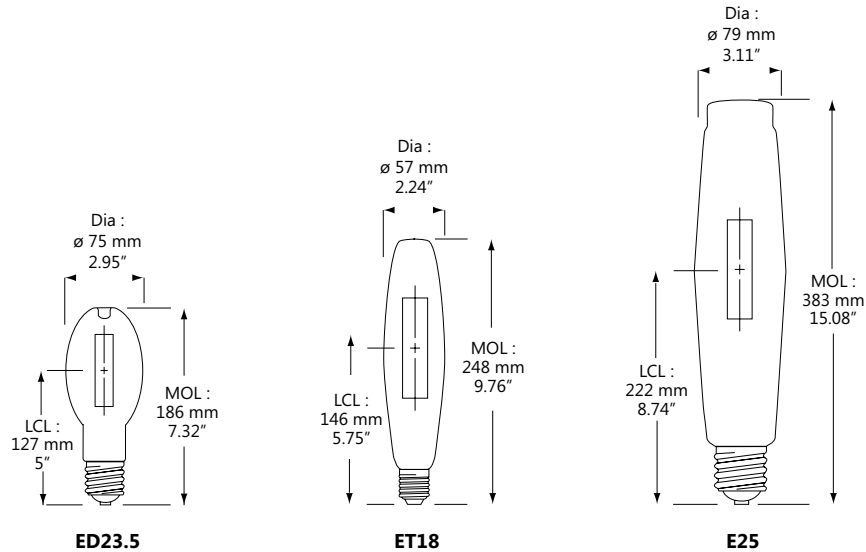
- EYE patented Ferro-Electric Capacitor (FEC)
- The FEC generates a starting pulse to gently ignite the Ignitron lamp
- The FEC is the first (and only) high temperature, ceramic starting device capable of operating inside high intensity discharge lamps where temperatures approach 600 °F (315 °C) during operation

Applications

- Street/highway lighting
- Warehouse lighting
- Parking areas
- Security



Ignitron™ EN



Order code	Description	Watts (W)	Shape	Base	ANSI code	Colour temp. (K)	CRI	Average life (hrs)	Initial lumens (lm)	Mean lumens (lm)	Burn pos.	Finish	Case qty
15056	LU50/I/EN EYE	50	ED23.5	E39	S68	1 900	17	28 500	4 000	3 600	U	Clear	12
15058	LU70/I/EN EYE	70	ED23.5	E39	S62	1 900	17	35 000	6 000	5 400	U	Clear	12
15046	LU100/I/EN EYE	100	ED23.5	E39	S54	1 900	17	35 000	9 500	8 550	U	Clear	12
15048	LU150/55/I/EN EYE	150	ED23.5	E39	S55	1 900	17	35 000	16 000	14 400	U	Clear	12
15050	LU200/I/EN EYE	200	ET18	E39	S66	2 100	25	35 000	22 000	19 800	U	Clear	12
15052	LU250/I/EN EYE	250	ET18	E39	S50	2 100	25	35 000	28 500	25 600	U	Clear	12
58800	LU310/I/EN EYE	310	ET18	E39	S67	2 100	22	35 000	37 000	33 000	U	Clear	12
15054	LU400/I/EN EYE	400	ET18	E39	S51	2 100	25	35 000	50 000	45 000	U	Clear	12
15045	LU1000B/I/EN EYE	1 000	E25	E39	S52	2 100	25	24 000	140 000	126 000	U	Clear	6

NOTE: External ignitor must be removed before installing the EYE Ignitron EN lamp. See instructions for disabling UL classified starter/ignitor and luminaire conversion for Ignitron lamps on our web site (www.standardpro.com) in the literature section.

WARNING:

1. EYE Ignitron are high pressure sodium lamps that operate on a standard high pressure sodium lamp ballast without an external ignitor. Compatible with ballast for the ANSI lamp code shown. Lamps do not require an external starting pulse.
 2. Disconnect the external ignitor in the operating circuit.
 3. For remote applications, the cable from the lamp to the ballast should be limited to 15 m (50 feet) maximum length for lamps less than 150 W and up to 25 m (80 feet) for all lamps rated 200 W and above, because of reduction of pulse volts.
- For other warnings and operating instructions please see the EYE Lighting Product Catalog.