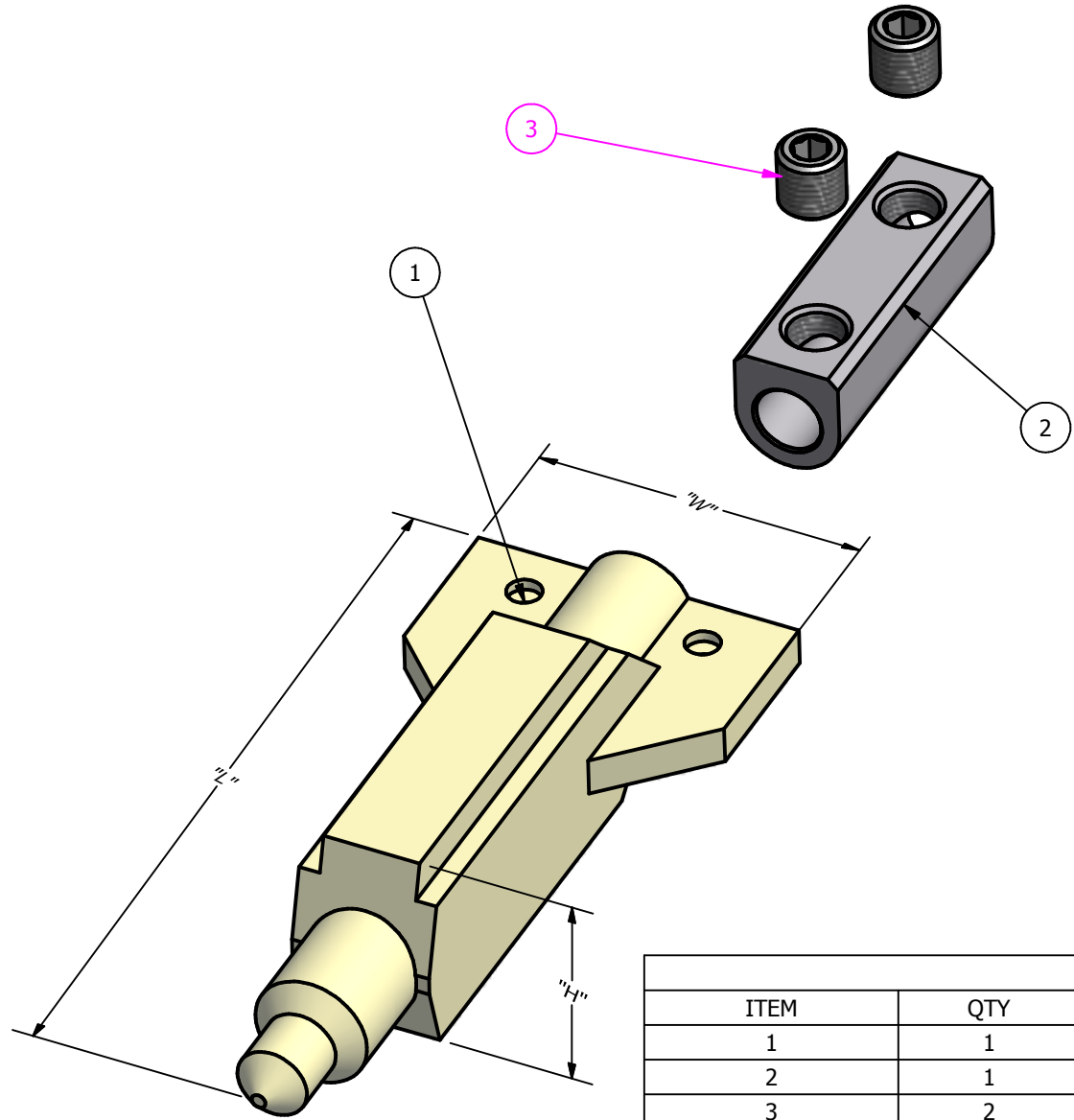


SCREW:	MATERIAL:	TOLERANCES-UNLESS OTHERWISE SPECIFIED		DWG. NO.		
CAT. NO.: SPAR-1/0	PLATING:	2 PL. DEC. ±.015	TRUE C.L. ±.015	M2813-03		
MASS:	MARKING:	DRAWN BY: NN	SCALE: 1:1	SHEET 1 OF 1		
SURFACE AREA: ²		DATE: 4/24/2008	SIZE: A			
STUFFER SHT:	CELL:	REV.	DESCRIPTION			

Cat #: SPAR-1/0



ITEM	"L"	"H"	"W"
1	4.718	1.151	1.933

Parts List			
ITEM	QTY	PART NUMBER	DESCRIPTION
1	1	R1678C00A	COVER WITH HOLES
2	1	D8642C22T	SPA-1/0 CONNECTOR
3	2	E1376C00T	SCREWS
4	1	R1689C00A	WIRE TIE
5	1	CBR1428	BAG