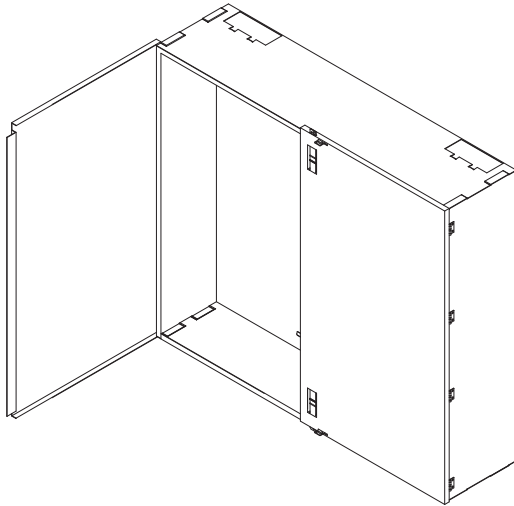




## MC-HQ Series

## EEMAC / NEMA 1 Metering Cabinets



### Application:

Type 1 enclosure designed for indoor housing of metering transformers, for Quebec only.

### Construction:

- 16 or 14 steel gauge
- Hinged door
- Retractable sealing hasp
- Removable mounting panels
- Grounding hole on mounting panel with grounding screw
- ANSI/ASA61 grey polyester - epoxy textured powder coating inside out

### Also Available:

- Special finishes & sizes

### Standards:

- CSA certified 150359

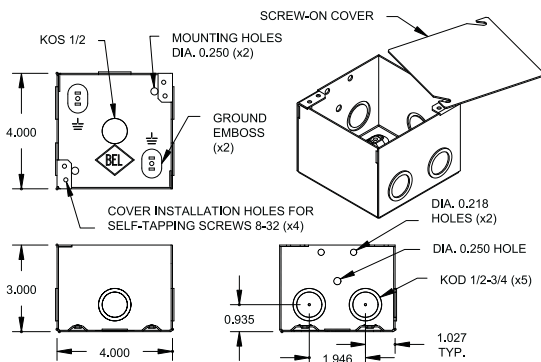
### TECHNICAL READOUT

Catalog No.	Dimensions (box)			Weight lbs
	A	B	C	
MC303010HQ	30	30	10	71
MC363612HQ	36	36	12	121
MC484812HQ	48	48	12	200



## DB Series

## EEMAC / NEMA 1 Screw Cover Boxes



### TECHNICAL READOUT

Catalog No.	Dimensions (box)			Weight lbs
	A	B	C	
DB443	4	4	3	1

### Application:

Utility junction box

### Construction:

- 18 steel gauge
- ANSI/ASA61 grey polyester - epoxy textured powder coating inside out
- Cover galv. steel, natural finish
- With knockouts (DUKO/DKO) or without (D)
- Mounting holes on back
- 2 grounding emboss
- Grounding screw 8-32 installed
- D Series

### Standards:

- CSA certified 150359
- UL listed E109311

