

ORDERING INFORMATION

Order code: 10490
 Description: ED21326-347-SL GLB
 UPC: 69549104907



SPECIFICATIONS

Ballast type: Electronic
 Starting method: Program Start
 Lamp connection: Series
 Input voltage (V): 347 V
 Input frequency (Hz): 60 Hz
 Max. case temperature: 90 °C
 Thermal protection: Class P
 Type: 1 Outdoor
 Contains PCBs: No
 Sound rating: A
 Open current voltage (OCV) (V): 550
 Inherent thermal protection: Yes
 Lamp protection circuit: Yes
 ICES-005 Compliant: Class A RFLD



Lamp Type:	Number of lamps	Rated lamp watts	Min. start temp. (°F / °C)	Input current (A)	Input power (ANSI watts)	Ballast factor	Max THD (%)	Power factor	Max. lamp current crest factor	B.E.F.
347 VOLTS										
PL18/TTT (18W)	2	18	-22/-30	0.12	39	0.86	10	0.98	1.7	2.21
PL13/TTT (13W)	2	13	-22/-30	0.10	33	0.98	15	0.98	1.7	2.97
PL18/DTT (18W)	2	18	-22/-30	0.11	36	0.86	10	0.98	1.7	2.39
PL13/DTT (13W)	2	13	-22/-30	0.09	30	0.98	15	0.98	1.7	3.27
2D (16W)	2	16	-22/-30	0.10	34	0.70	15	0.98	1.7	2.06
PL26/TTT (26W)	1	26	-22/-30	0.07	23	0.74	15	0.97	1.7	3.22
PL18/TTT (18W)	1	18	-22/-30	0.07	21	0.92	15	0.97	1.7	4.38
PL13/TTT (13W)	1	13	-22/-30	0.06	18	0.97	20	0.96	1.7	5.39
PL26/DTT (26W)	1	26	-22/-30	0.06	23	0.74	15	0.97	1.7	3.22
PL18/DTT (18W)	1	18	-22/-30	0.05	18	0.92	20	0.96	1.7	5.11
2D (38W)	1	38	-22/-30	0.08	26	0.43	15	0.97	1.7	1.65
2D (28W)	1	28	-22/-30	0.08	25	0.57	15	0.97	1.7	2.28
2D (21W)	1	21	-22/-30	0.06	20	0.60	15	0.96	1.7	3.00
2D (16W)	1	16	-22/-30	0.06	18	0.74	15	0.96	1.7	4.11
FC9T5 (22W)	1	22	-22/-30	0.09	28	0.85	15	0.98	1.7	3.04

This lighting equipment complies with Canadian standard ICES-005; for use in commercial applications.

WARRANTY:

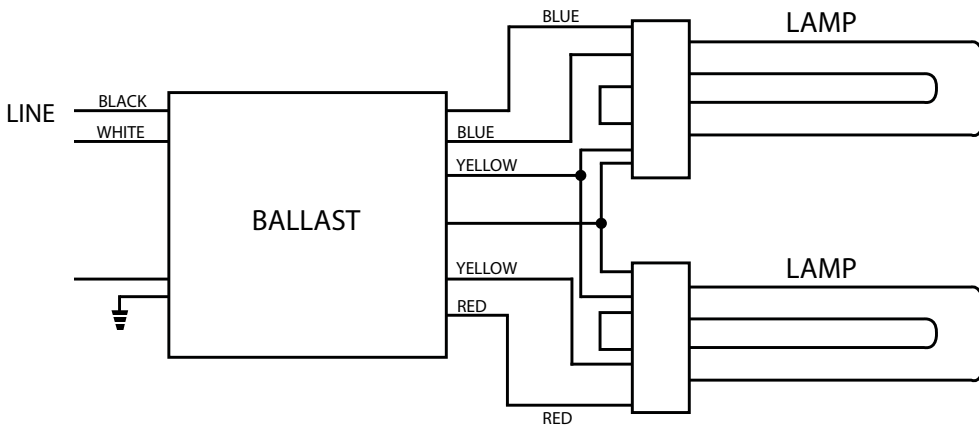
Ballast warranty of 5 years for electronic ballast 70-75 °C. Ballast warranty of 3 years for electronic ballast 90 °C. For more information visit our website.

Data is based upon tests performed in a controlled environment and representative of relative performance. Actual performance can vary depending on operating conditions. Specifications are subject to change without notice. March 30, 2015

ORDERING INFORMATION

Order code: 10490
 Description: ED21326-347-SL GLB
 UPC: 69549104907

WIRING DIAGRAM

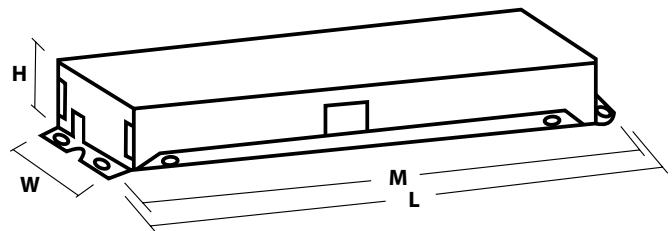


LEADS LENGTH

Black	18.8" (47.7 cm)
White	18.8" (47.7 cm)
Blue	18.8" (47.7 cm)
Red	18.8" (47.7 cm)
Yellow	18.8" (47.7 cm)

BALLAST DIMENSIONS

Length (L):	6.50" (16.4 cm)
Width (W):	1.93" (4.9 cm)
Height (H):	1.18" (3.0 cm)
Mounting (M):	5.90" (15.0 cm)



This lighting equipment complies with Canadian standard ICES-005; for use in commercial applications.

WARRANTY:

Ballast warranty of 5 years for electronic ballast 70-75 °C. Ballast warranty of 3 years for electronic ballast 90 °C. For more information visit our website.

Data is based upon tests performed in a controlled environment and representative of relative performance. Actual performance can vary depending on operating conditions. Specifications are subject to change without notice.
 March 30, 2015