

BCH2LH2032CA6C

servo motor BCH, Lexium 28, 100mm, 2000W, 4.28kg.cm², with oil seal, smooth, straight connection



Main

Range Compatibility	Lexium 28
Product or Component Type	Servo motor
Device short name	BCH2

Complementary

Maximum mechanical speed	5000 rpm
[Us] rated supply voltage	220 V
Phase	Three phase
Continuous stall current	9.87 A
Continuous stall torque	56.38 lbf.in (6.37 N.m) LXM28... 12 A, 220 V, three phase
Continuous power	2000 W
Peak stall torque	169.14 lbf.in (19.11 N.m) LXM28... 12 A, 220 V, three phase
Nominal output power	2000 W LXM28... 12 A, 220 V, three phase
Nominal torque	56.38 lbf.in (6.37 N.m) LXM28... 12 A, 220 V, three phase
Nominal speed	3000 rpm LXM28... 12 A, 220 V, three phase
Maximum current Irms	32.3 A LXM28... 2 kW, 220 V
Maximum permanent current	10.27 A
Product compatibility	LXM28... servo drive 2 kW, 220 V, three phase
Shaft end	Smooth shaft
Shaft diameter	0.87 in (22 mm)
Shaft length	1.77 in (45 mm)
Feedback type	20 bits single turn absolute encoder
Holding brake	Without
Mounting Support	Asian standard flange
Motor flange size	3.94 in (100 mm)
Electrical connection	Connector MIL
Torque constant	0.65 N.m/A 68 °F (20 °C)
Back emf constant	39 V/krpm 68 °F (20 °C)
Rotor inertia	4.28 kg.cm ²
Stator resistance	0.36 Ohm 68 °F (20 °C)
Stator inductance	2.59 mH 68 °F (20 °C)
Stator electrical time constant	7.19 ms 68 °F (20 °C)
Maximum radial force Fr	570 N 3000 rpm
Maximum axial force Fa	200 N
Brake pull-in power	10.4 W
Type of cooling	Natural convection
Length	7.81 in (198.5 mm)
Number of motor stacks	2

Centring collar diameter	3.74 in (95 mm)
Centring collar depth	0.28 in (7 mm)
Number of mounting holes	4
Mounting holes diameter	0.36 in (9.2 mm)
Circle diameter of the mounting holes	4.53 in (115 mm)
Distance shaft shoulder-flange	0.28 in (7 mm)
Net Weight	14.77 lb(US) (6.7 kg)

Environment

IP Degree of Protection	IP50 IM V3 IP65 IM B5, IM V1
Ambient Air Temperature for Operation	-4...104 °F (-20...40 °C)

Ordering and shipping details

Category	18281-LEXIUM 23/28 MOTORS
Discount Schedule	PC53
GTIN	3606480734083
Returnability	No
Country of origin	CN

Packing Units

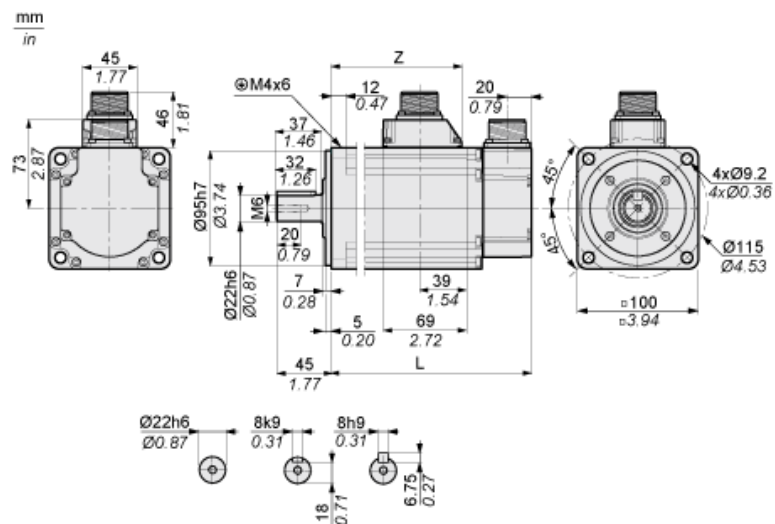
Unit Type of Package 1	PCE
Number of Units in Package 1	1
Package 1 Height	7.13 in (18.1 cm)
Package 1 Width	9.06 in (23.0 cm)
Package 1 Length	14.17 in (36.0 cm)
Package 1 Weight	18.67 lb(US) (8.47 kg)

Offer Sustainability

Sustainable offer status	Green Premium product
California proposition 65	WARNING: This product can expose you to chemicals including: Lead and lead compounds, which is known to the State of California to cause cancer and birth defects or other reproductive harm. For more information go to www.P65Warnings.ca.gov
REACH Regulation	REACH Declaration
REACH free of SVHC	Yes
EU RoHS Directive	Pro-active compliance (Product out of EU RoHS legal scope)
Mercury free	Yes
China RoHS Regulation	China RoHS Declaration
RoHS exemption information	Yes
Environmental Disclosure	Product Environmental Profile
Circularity Profile	End Of Life Information
WEEE	The product must be disposed on European Union markets following specific waste collection and never end up in rubbish bins.

Dimensions

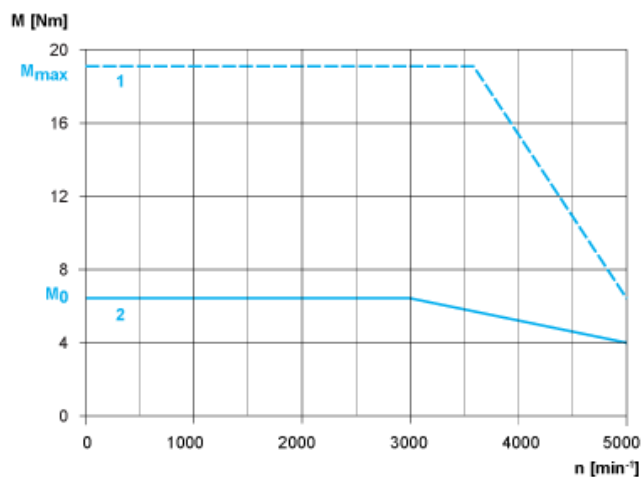
Dimensions of Motor



	mm	in.
L (without holding brake)	198.5	7.81
L (with holding brake)	225.5	8.88
Z	141	5.55

Torque/Speed Curves with 230 V Three Phase Supply Voltage

Servo Motor with LXM28AU20●●● Servo Drive



- 1 : Peak torque
- 2 : Continuous torque