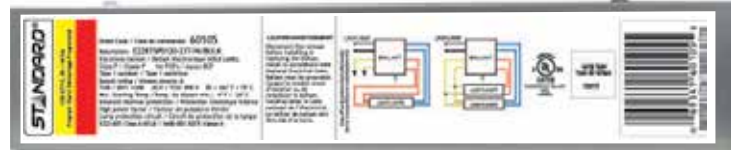


ORDERING INFORMATION

Order code: 60105
 Description: E228T5PS120-277/N/BULK
 UPC: 69549601055



SPECIFICATIONS

Ballast type:	Electronic	Type	1 Outdoor
Starting method:	Program Start	Contains PCBs:	No
Lamp connection:	Series	Sound rating:	A
Input voltage (V):	120-277V	Open current voltage (OCV) (V):	550
Input frequency (Hz):	50/60HZ	Inherent thermal protection:	Yes
Max. case temperature:	75 °C	Lamp protection circuit:	Yes
Thermal protection:	Class P	ICES-005 Compliant:	Class A RFLD
		End of life (EoL) protection:	Yes
		Auto-restrike:	Yes



Lamp type	Number of lamps	Rated lamp watts	Min. start temp. (°F / °C)	Input current (A)	Input power (ANSI watts)	Ballast factor	Max THD (%)	Power factor	Max. lamp current crest factor	B.E.F.
120 VOLTS										
F28T5 (28W)	2	28	-4/-20	0.51	60	1.00	10	0.99	1.7	1.67
F28T5/ES (25W)	2	25	-4/-20	0.46	55	1.00	10	0.99	1.7	1.82
F21T5 (21W)	2	21	-4/-20	0.39	45	1.02	10	0.99	1.7	2.27
F14T5 (14W)	2	14	-4/-20	0.27	32	1.07	10	0.99	1.7	3.34
F28T5 (28W)	1	28	-4/-20	0.27	32	1.05	10	0.99	1.7	3.28
F28T5/ES (25W)	1	25	-4/-20	0.25	29	1.05	10	0.99	1.7	3.62
F21T5 (21W)	1	21	-4/-20	0.21	25	1.06	15	0.98	1.7	4.24
F14T5 (14W)	1	14	-4/-20	0.15	18	1.04	15	0.98	1.7	5.78
230 VOLTS										
F28T5 (28W)	2	28	-4/-20	0.26	60	1.01	10	0.99	1.7	1.68
F28T5/ES (25W)	2	25	-4/-20	0.24	55	1.01	10	0.99	1.7	1.84
F21T5 (21W)	2	21	-4/-20	0.21	48	1.03	10	0.98	1.7	2.15
F14T5 (14W)	2	14	-4/-20	0.15	34	1.08	15	0.97	1.7	3.18
F28T5 (28W)	1	28	-4/-20	0.14	32	1.06	10	0.99	1.7	3.31
F28T5/ES (25W)	1	25	-4/-20	0.13	30	1.06	10	0.99	1.7	3.53
F21T5 (21W)	1	21	-4/-20	0.12	26	1.07	15	0.97	1.7	4.12
F14T5 (14W)	1	14	-4/-20	0.09	19	1.05	20	0.95	1.7	5.53

WARRANTY:

Ballast warranty of 5 years for electronic ballast 75 °C. Ballast warranty of 3 years for electronic ballast 90 °C. For more information visit our website.

Data is based upon tests performed in a controlled environment and representative of relative performance. Actual performance can vary depending on operating conditions. Specifications are subject to change without notice.

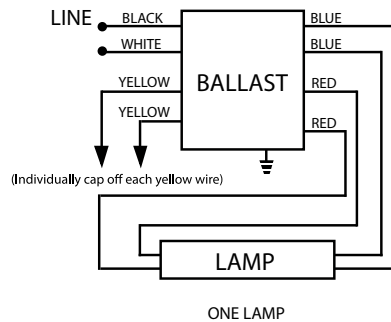
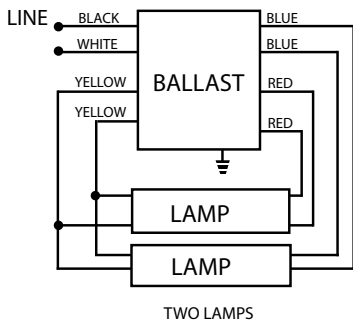
March 9, 2015

ORDERING INFORMATION

Order code: 60105
 Description: E228T5PS120-277/N/BULK
 UPC: 69549601055

Lamp type	Number of lamps	Rated lamp watts	Min. start temp. (°F / °C)	Input current (A)	Input power (ANSI watts)	Ballast factor	Max THD (%)	Power factor	Max. lamp current crest factor	B.E.F.
277 VOLTS										
F28T5 (28W)	2	28	-4/-20	0.22	61	1.01	10	0.99	1.7	1.66
F28T5/ES (25W)	2	25	-4/-20	0.21	57	1.01	10	0.99	1.7	1.77
F21T5 (21W)	2	21	-4/-20	0.17	48	1.03	10	0.98	1.7	2.15
F14T5 (14W)	2	14	-4/-20	0.12	34	1.08	15	0.97	1.7	3.18
F28T5 (28W)	1	28	-4/-20	0.12	32	1.06	15	0.99	1.7	3.31
F28T5/ES (25W)	1	25	-4/-20	0.11	30	1.06	10	0.99	1.7	3.53
F21T5 (21W)	1	21	-4/-20	0.10	26	1.07	15	0.96	1.7	4.12
F14T5 (14W)	1	14	-4/-20	0.07	19	1.05	20	0.93	1.7	5.53

WIRING DIAGRAM

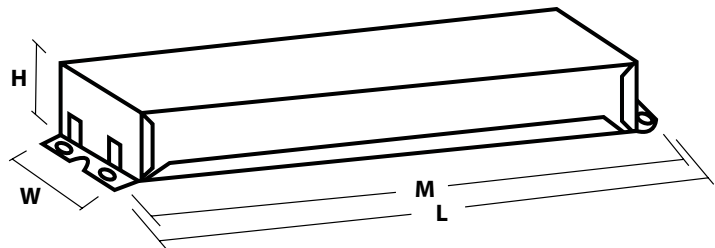


LEADS LENGTH

Black	18.8" (48.0 cm)
White	18.8" (48.0 cm)
Blue	30.9" (78.5 cm)
Red	30.9" (78.5 cm)
Yellow	46.4" (118.0 cm)

BALLAST DIMENSIONS

Length (L):	9.50" (24.10 cm)
Width (W):	1.70" (4.30 cm)
Height (H):	1.14" (2.90 cm)
Mounting (M):	8.90" (22.60 cm)



WARRANTY:

Ballast warranty of 5 years for electronic ballast 75 °C. Ballast warranty of 3 years for electronic ballast 90 °C. For more information visit our website.

Data is based upon tests performed in a controlled environment and representative of relative performance. Actual performance can vary depending on operating conditions. Specifications are subject to change without notice.

March 9, 2015