

Overview

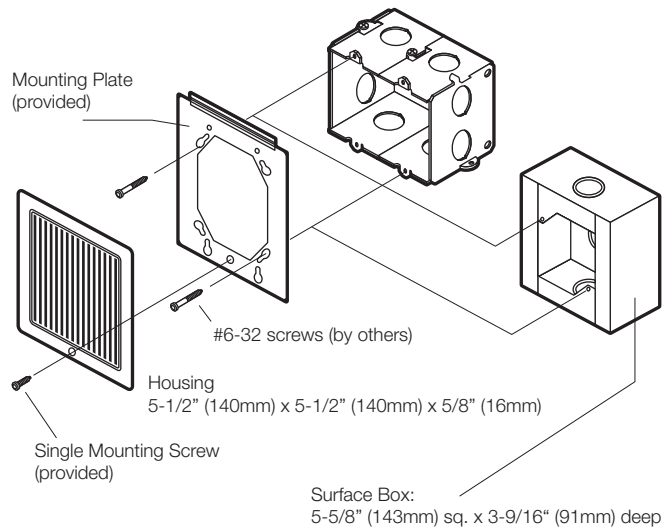
The 757 Integrity Series Temporal Horn is perfect for life safety applications as an alert and alarm signal. The horn emits a piercing low frequency sound that is easily heard above moderate ambient noise levels.

During installation, the horn is configured for steady or temporal tone signal and either low or high dB output. When temporal output is selected all horns on a common 2-wire circuit are self-synchronized.

Integrity Series horns emit a low frequency "growling" tone to really demand attention. Select 'high' output for 98 dBA; choose 'low' output for 94 dBA.

Installation and Mounting

North American 2-gang electric box, 2-3/4" (69mm) minimum
(Alternative: 4" square box 2-1/8" (54 mm) deep)



Standard Features

- Synchronized temporal audible output
- Mounts to 2-gang box or 4" square box
- Adjustable high or low dba output
- True horn tone
- Easy installation
- Screw terminal wire connection
- UL/ULC rated outdoor option

Ordering Information

Cat. No.	Description	Ship Wt. lb. (kg)
Temporal Horns		
757-1A-T	Temporal horn, red, weatherproof	1.7 (.8)
757-1A-TW	Temporal horn, white, weatherproof	1.7 (.8)
Mounting Accessories		
757A-SB*	Surface box, Red, Indoor	1.5 (.7)
757A-WB*	Weatherproof Box, Red, Surface	1.5 (.7)
757A-BDF*	Bi-directional Frame, Red	4 (1.8)

* Add W for white (eg. 757A-SBW)

Temporal Horn

757 Series

