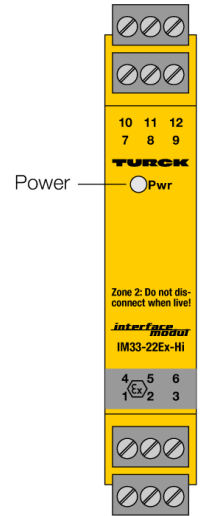
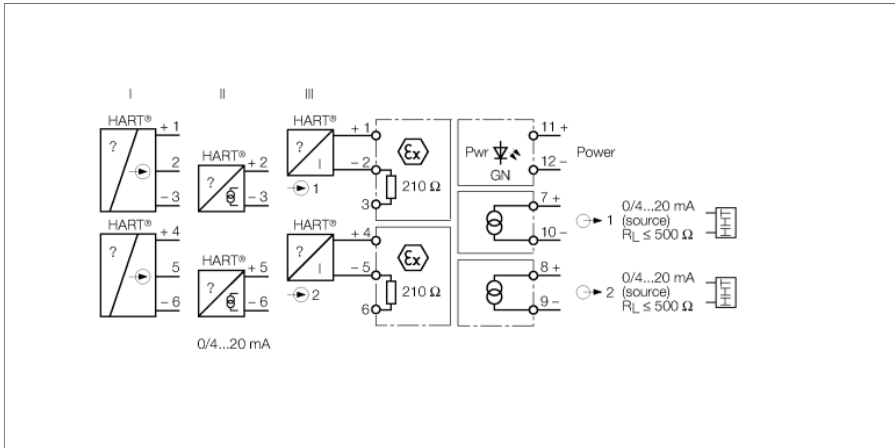


**Ex-HART<sup>®</sup> Isolating transducer  
2-channel  
IM33-22EX-HI/24VDC**



The 2-channel HART<sup>®</sup> isolating transducer IM33-22EX-HI/24VDC is designed to operate intrinsically safe HART<sup>®</sup> 2-wire transducers (III) in the Ex area and to transfer the measured signals to the non-Ex area. In addition to analog signals, the isolating transducer also transfers digital HART<sup>®</sup> communication signals bidirectionally.

Alternatively, active 2-wire HART<sup>®</sup> transmitters (II) and passive 3-wire HART<sup>®</sup> transmitters (I) can be operated.

The device features 0/4...20 mA input and output circuits. A green LED indicates operational readiness.

The input signals are transferred 1:1 without attenuation to the outputs in the non-Ex area.

Due to the 1:1 transmission characteristic, wire-break or short-circuit of the measuring transducer circuit are indicated as currents of 0 mA resp. > 22.5 mA.

The removable terminal blocks feature test sockets (Ø 2 mm) for connection of a HART<sup>®</sup> handheld. Further devices with different Ex-criteria are available on request.

- Intrinsically safe input circuits EEx ia
- Application area acc. to ATEX: II (1) GD
- Installation in zone 2
- Power supply of 2-wire measuring transducers via HART<sup>®</sup> communication as well as connection to active 2-wire and passive 3-wire transmitters
- Input circuits: 0/4...20 mA
- Output circuits: 0/4...20 mA
- SIL2
- Removable terminal blocks, screwable, 2mm test socket
- Galvanic separation of input circuits, output circuits and power supply



**Ex-HART<sup>®</sup> Isolating transducer**  
**2-channel**  
**IM33-22EX-HI/24VDC**

---

<b>Protection class</b>	IP20
Ambient temperature	-25...+70 °C
Storage temperature	-40...80°C
Dimensions	110 x 18 x 110 mm
Weight	173 g
Mounting instruction	For mounting on DIN rail or mounting panel
Housing material	Polycarbonate/ABS
Electrical connection	4 x 3-pole removable terminal blocks with test socket, reverse polarity protected, screw connection
Terminal cross-section	1 x 2.5 mm <sup>2</sup> / 2 x 1.5 mm <sup>2</sup>

**Ex-HART<sup>®</sup> Isolating transducer  
2-channel  
IM33-22EX-HI/24VDC**

**Accessories**

Type code	Ident-No.	Short text	Dimension drawing
IM-CC-3X2BU/2BK	6900475	Cage clamp terminals for IM modules (Ex devices; width 18 mm); 2 blue/2 black, 3-pin, included in delivery.	