

TM2DMM8DRT

Discrete input/output module, Modicon M238 logic controller, 4 inputs 24VDC, 4 outputs relay, 1 terminal block



Main

Range of Product	Modicon M238 logic controller
Product or Component Type	Discrete I/O module
Discrete input number	4
Discrete input voltage	24 V
Discrete input voltage type	DC
Discrete output number	4
Discrete output type	Relay

Complementary

Range Compatibility	Twido Advantys OTB
Input voltage limits	20.4...28.8 V
Discrete input logic	Sink or source
Discrete input current	7 mA
Input impedance	3.4 kOhm
Discrete output function	1 NO
Current per channel	2 A
Maximum current per output common	7 A
Number of common point	1 for output 1 for input
Contact resistance	45 mOhm
Response time	<= 10 ms from state 0 to state 1 output <= 5 ms from state 1 to state 0 output 4 ms at state 0 input 4 ms at state 1 input
Minimum switching current	0.1 mA 0.1 V DC
Isolation between channels	None
Isolation between channels and internal logic	2300 V for 1 minute (output) 500 V for 1 minute (input)
Isolation between input channel and output channel	1500 V for 1 minute
Isolation between output channels group	1500 V for 1 minute
Mechanical durability	20000000 cycles
Electrical durability	100000 Cycles 0.5 A AC-15 240 V AC cos phi = 0.35 inductive 100000 Cycles 1 A AC-15 240 V AC cos phi = 0.7 inductive 100000 Cycles 1 A DC-13 24 V DC inductive (L/R = 7 ms) 100000 Cycles 2 A 240 V AC resistive 100000 cycles 2 A 30 V DC resistive
Current consumption	20 mA 24 V DC at state 1 for all input/output 25 mA 5 V DC at state 1 for all input/output
Local signalling	1 display block
Electrical connection	1 removable screw terminal block
Mounting Support	35 mm symmetrical DIN rail
Net Weight	0.21 lb(US) (0.095 kg)

The information provided in this documentation contains general descriptions and/or technical characteristics of the performance of the products contained herein. This documentation is not intended as a substitute for and is not to be used for determining suitability or reliability of these products for specific user applications. It is the duty of any such user or integrator to perform the appropriate and complete risk analysis, evaluation and testing of the products with respect to the relevant specific application or use thereof. Neither Schneider Electric Industries SAS nor any of its affiliates or subsidiaries shall be responsible or liable for misuse of the information contained herein.

Environment

Depth	2.76 in (70 mm)
Height	3.54 in (90 mm)
Width	1.69 in (42.9 mm)

Ordering and shipping details

Category	22531-PLCS, TWIDO, TWD
Discount Schedule	PC12
GTIN	3595863995787
Returnability	No
Country of origin	JP

Packing Units

Unit Type of Package 1	PCE
Number of Units in Package 1	1
Package 1 Height	2.95 in (7.5 cm)
Package 1 Width	4.33 in (11 cm)
Package 1 Length	5.12 in (13 cm)
Package 1 Weight	6.77 oz (192 g)
Unit Type of Package 2	S01
Number of Units in Package 2	6
Package 2 Height	5.91 in (15 cm)
Package 2 Width	5.91 in (15 cm)
Package 2 Length	15.75 in (40 cm)
Package 2 Weight	2.81 lb(US) (1.274 kg)

Offer Sustainability

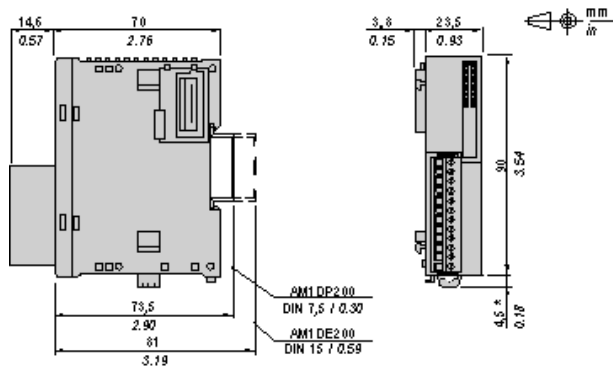
California proposition 65	WARNING: This product can expose you to chemicals including: Lead and lead compounds, which is known to the State of California to cause cancer and birth defects or other reproductive harm. For more information go to www.P65Warnings.ca.gov
REACH Regulation	REACH Declaration
REACH free of SVHC	Yes
EU RoHS Directive	Pro-active compliance (Product out of EU RoHS legal scope)
Mercury free	Yes
China RoHS Regulation	China RoHS Declaration
RoHS exemption information	Yes
WEEE	The product must be disposed on European Union markets following specific waste collection and never end up in rubbish bins.
PVC free	Yes

Contractual warranty

Warranty	18 months
----------	-----------

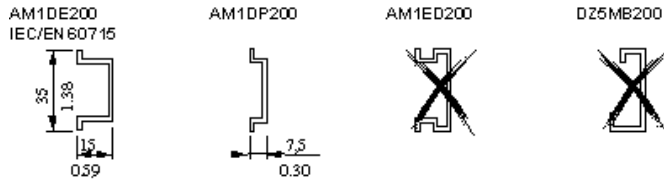
Digital Mixed I/O Module (8-channel)

Dimensions



NOTE: * 8.5 mm (0.33 in) when the clamp is pulled out.

DIN Rail Mounting

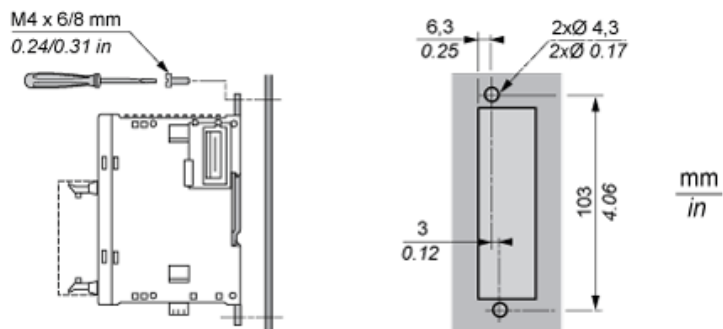


Rail depth	Catalogue part number
15 mm (0.59 in.)	AM1DE200
7,5 mm (0.30 in.)	AM1DP200

NOTE: Do not use AM1ED200 and DZ5MB200

Module Mounting on a Panel Surface

Mounting Hole Layout



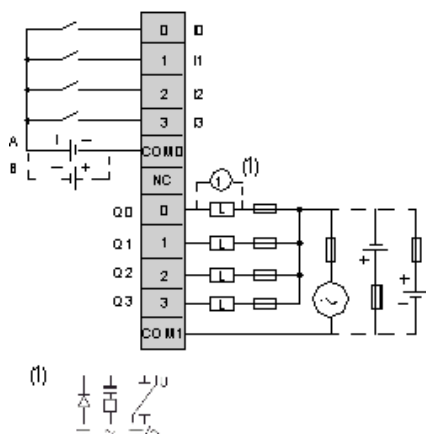
Wiring Requirements

Cable Types and Wire Sizes for Removable Screw Terminal Block

<p>9 0.35 mm in.</p>								
	mm ²	0,14...1,5	0,25...0,5	0,25...1,5	0,14...0,5	0,14...0,75	0,25...0,34	0,5
AWG	26...16	24...20	24...16	26...20	26...18	24...22	20	

Digital Mixed I/O Module (8-channel)

Wiring Diagram



- A Sink wiring (positive logic)
- B Source wiring (negative logic)
- L Load

Fuse value for the load: 2 A

Fuse value for the power supply: 7 A