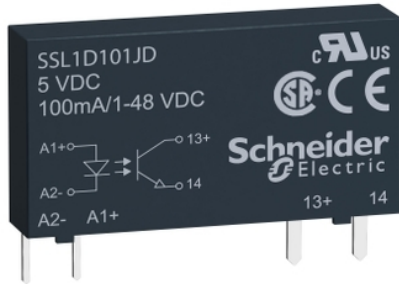


# SSL1D101JD

plug in relay, Harmony Solid State Slim Relays, 0.1A, DC switching, input 3 to 12V DC, output 1 to 48V DC



## Main

Range of Product	Harmony Solid State Relays
Product or Component Type	Solid state relay up to 10 A
Device short name	SSL
Phase	1 phase
Output switching mode	DC switching

## Complementary

Mounting Support	Socket
Line Rated Current	0.1 A
Output voltage	1...48 V DC
[Uc] control circuit voltage	3...12 V DC
Capacitance unbalance	1.5 pF input/output
Minimum switching voltage	3 V DC turn-on
Maximum switching voltage	1 V DC turn-off
Input current limits	4 mA
Input impedance	1250 Ohm
Solid state output type	Transistor output DC switching
Load current	0.001...0.1 A
Tansient Overvoltage	60 V DC
Maximum operating frequency	500 Hz
Surge current	0.3 A 10 ms
Maximum voltage drop	<1 V on-state
Maximum leakage current	0.001 mA off-state
Response time	0.02 ms (turn-on) 0.13 ms (turn-off)
Overvoltage category	III
Width	0.20 in (5 mm)
Height	1.10 in (28 mm)
Depth	0.59 in (15 mm)
Net Weight	0.01 lb(US) (0.0041 kg)

## Environment

Flame retardance	V0 conforming to UL 94
Dielectric strength	3750 V for input/output
Pollution degree	2
Product Certifications	UL[RETURN]CSA
Marking	CE
Ambient Air Temperature for Operation	-4...176 °F (-20...80 °C)
Ambient Air Temperature for Storage	-4...185 °F (-20...85 °C)

## Ordering and shipping details

Category	22375-INTERFACE MODULE(ABA,R,S)
Discount Schedule	CP2
GTIN	3606480579677
Returnability	No
Country of origin	MX

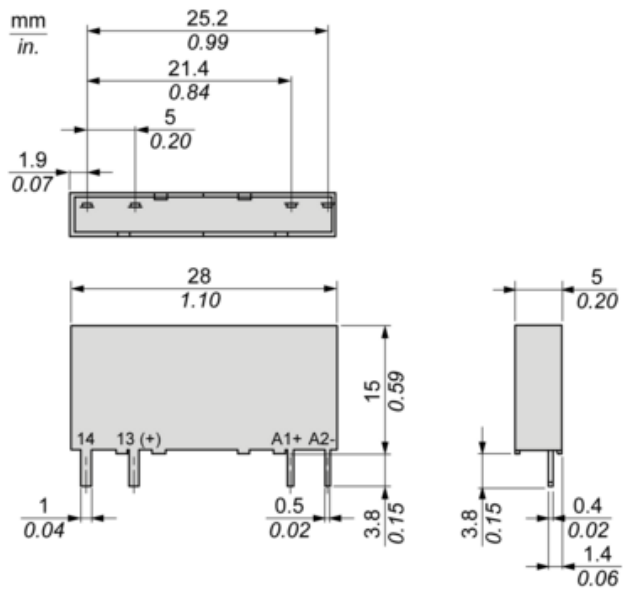
## Packing Units

Unit Type of Package 1	PCE
Number of Units in Package 1	1
Package 1 Height	0.28 in (0.7 cm)
Package 1 Width	0.98 in (2.5 cm)
Package 1 Length	14.57 in (37 cm)
Package 1 Weight	0.18 oz (5 g)
Unit Type of Package 2	BB1
Number of Units in Package 2	12
Package 2 Height	0.28 in (0.7 cm)
Package 2 Width	0.98 in (2.5 cm)
Package 2 Length	14.57 in (37 cm)
Package 2 Weight	2.12 oz (60 g)
Unit Type of Package 3	S01
Number of Units in Package 3	1080
Package 3 Height	5.91 in (15 cm)
Package 3 Width	5.91 in (15 cm)
Package 3 Length	15.75 in (40 cm)
Package 3 Weight	12.53 lb(US) (5.684 kg)

## Offer Sustainability

Sustainable offer status	Green Premium product
California proposition 65	WARNING: This product can expose you to chemicals including: Lead and lead compounds, which is known to the State of California to cause cancer and birth defects or other reproductive harm. For more information go to <a href="http://www.P65Warnings.ca.gov">www.P65Warnings.ca.gov</a>
REACH Regulation	<a href="#">REACH Declaration</a>
REACH free of SVHC	Yes
EU RoHS Directive	Pro-active compliance (Product out of EU RoHS legal scope) <a href="#">EU RoHS Declaration</a>
Toxic heavy metal free	Yes
Mercury free	Yes
China RoHS Regulation	<a href="#">China RoHS Declaration</a>
RoHS exemption information	<a href="#">Yes</a>
Environmental Disclosure	<a href="#">Product Environmental Profile</a>
Circularity Profile	<a href="#">End Of Life Information</a>

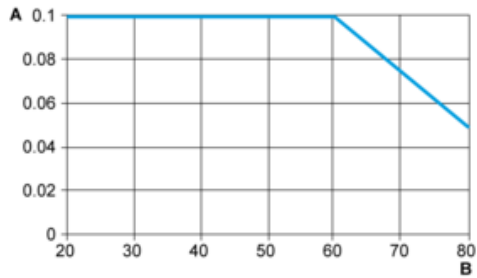
Dimensions



---

Derating Curves

---



A : Load Current (Amperes)  
B : Ambient Temperature (°C)