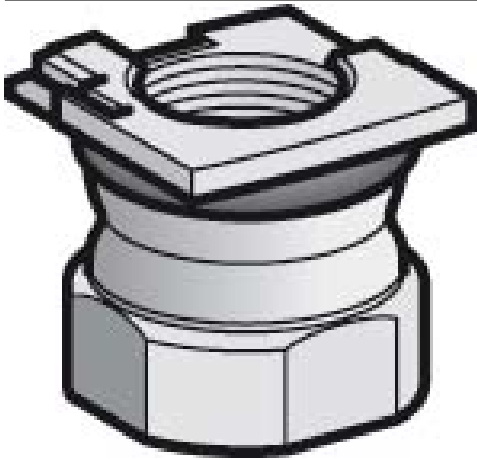


ZCDEN12

cable gland entry 1/2" NPT - for limit switch -
metal body



Main

Accessory / separate part designation	Cable gland entry 1/2" NPT
Accessory / separate part destination	XCKD body
Accessory / separate part category	Connection accessories
Accessory material	Metal

Environment

RoHS EUR conformity date	3Q2009
RoHS EUR status	Will be compliant

The information provided in this documentation contains general descriptions and/or technical characteristics of the performance of the products contained herein. This documentation is not intended as a substitute for and is not to be used for determining suitability or reliability of these products for specific user applications. It is the duty of any such user or integrator to perform the appropriate and complete risk analysis, evaluation and testing of the products with respect to the relevant specific application or use thereof. Neither Schneider Electric Industries SAS nor any of its affiliates or subsidiaries shall be responsible or liable for misuse of the information contained herein.