

XVUZ12

Fixing plate for use on vertical support for modular tower lights, Harmony XVU, black, 60mm



Main

Range of Product	Harmony XVU
Product or Component Type	Modular tower light
Accessory / separate part type	Fixing plate
Accessory / separate part category	Mounting and fixing accessory
Component name	XVU
Mounting diameter	2.36 in (60 mm)

Complementary

Mounting Support	Wall mounted
Product compatibility	XVUZ05 XVUZ800 XVUZ400 XVUZ02Q XVUZ02
Material	Aluminium V-0 UL 94
Housing Colour	Black
[Us] Rated Supply Voltage	24 V AC/DC 110...240 V AC
Length	0.31 in (8 mm)
Net Weight	0.79 lb(US) (0.36 kg)

Environment

Ambient Air Temperature for Storage	-40...158 °F (-40...70 °C)
Ambient Air Temperature for Operation	-13...122 °F (-25...50 °C)
IP degree of protection	IP65
Product Certifications	CSA[RETURN]UL[RETURN]CE

Ordering and shipping details

Category	22618-XVU TOWER LIGHTS
Discount Schedule	XV
GTIN	3606480887154
Returnability	Yes
Country of origin	ID

Packing Units

Unit Type of Package 1	PCE
Number of Units in Package 1	1
Package 1 Height	2.00 in (5.068 cm)
Package 1 Width	2.69 in (6.844 cm)
Package 1 Length	4.49 in (11.412 cm)
Package 1 Weight	17.32 oz (491.0 g)

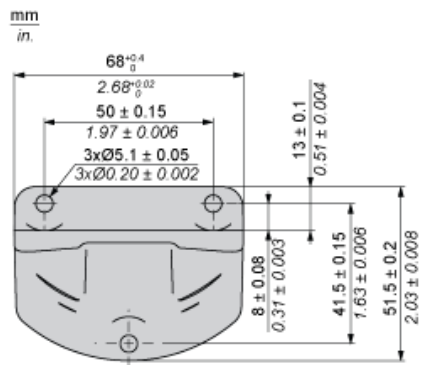
Unit Type of Package 2	CAR
Number of Units in Package 2	10
Package 2 Height	6.14 in (15.6 cm)
Package 2 Width	6.02 in (15.3 cm)
Package 2 Length	15.67 in (39.8 cm)
Package 2 Weight	12.46 lb(US) (5.651 kg)

Offer Sustainability

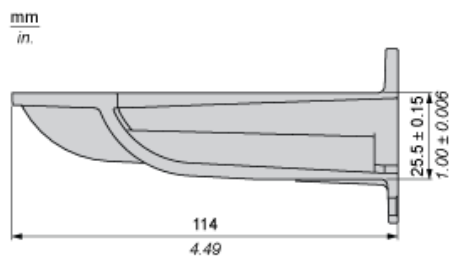
Sustainable offer status	Green Premium product
California proposition 65	WARNING: This product can expose you to chemicals including: Lead and lead compounds, which is known to the State of California to cause cancer and birth defects or other reproductive harm. For more information go to www.P65Warnings.ca.gov
REACH Regulation	REACH Declaration
EU RoHS Directive	Pro-active compliance (Product out of EU RoHS legal scope)
Mercury free	Yes
China RoHS Regulation	China RoHS Declaration
RoHS exemption information	Yes
Environmental Disclosure	Product Environmental Profile
Circularity Profile	End Of Life Information

Dimensions

Rear View



Side View



Vertical Support Panel Drillings

