

BCH2MM0613CF6C

servo motor BCH, Lexium 28, 130mm, 600W, 6.91kg.cm², with oil seal, with key, brake, straight connection



Main

| | |
|---------------------------|-------------|
| Range Compatibility | Lexium 28 |
| Product or Component Type | Servo motor |
| Device short name | BCH2 |

Complementary

| | |
|---------------------------|---|
| Maximum mechanical speed | 3000 rpm |
| [Us] rated supply voltage | 220 V 110 V |
| Phase | Single phase Three phase |
| Continuous stall current | 3.77 A |
| Continuous stall torque | 50.71 Lbf.in (5.73 N.m) LXM26D 4.5 A, 220 V, single phase 50.71 Lbf.in (5.73 N.m) LXM26D 4.5 A, 220 V, three phase 50.71 Lbf.in (5.73 N.m) LXM28... 4.5 A, 220 V, single phase 50.71 Lbf.in (5.73 N.m) LXM28... 4.5 A, 220 V, three phase 50.71 lbf.in (5.73 N.m) LXM28... 9 A, 110 V, single phase |
| Continuous power | 600 W |
| Peak stall torque | 152.14 Lbf.in (17.19 N.m) LXM26D 4.5 A, 220 V, single phase 152.14 Lbf.in (17.19 N.m) LXM26D 4.5 A, 220 V, three phase 152.14 Lbf.in (17.19 N.m) LXM28... 4.5 A, 220 V, single phase 152.14 Lbf.in (17.19 N.m) LXM28... 4.5 A, 220 V, three phase 152.14 lbf.in (17.19 N.m) LXM28... 9 A, 110 V, single phase |
| Nominal output power | 600 W LXM26D 4.5 A, 220 V, single phase 600 W LXM26D 4.5 A, 220 V, three phase 600 W LXM28... 4.5 A, 220 V, single phase 600 W LXM28... 4.5 A, 220 V, three phase 600 W LXM28... 9 A, 110 V, single phase |
| Nominal torque | 50.71 Lbf.in (5.73 N.m) LXM26D 4.5 A, 220 V, single phase 50.71 Lbf.in (5.73 N.m) LXM26D 4.5 A, 220 V, three phase 50.71 Lbf.in (5.73 N.m) LXM28... 4.5 A, 220 V, single phase 50.71 Lbf.in (5.73 N.m) LXM28... 4.5 A, 220 V, three phase 50.71 lbf.in (5.73 N.m) LXM28... 9 A, 110 V, single phase |
| Nominal speed | 1000 rpm LXM26D 4.5 A, 220 V, single phase 1000 rpm LXM26D 4.5 A, 220 V, three phase 1000 rpm LXM28... 4.5 A, 220 V, single phase 1000 rpm LXM28... 4.5 A, 220 V, three phase 1000 rpm LXM28... 9 A, 110 V, single phase |
| Maximum current Irms | 13.44 A LXM28... 0.6 kW, 220 V 13.44 A LXM28... 0.6 kW, 110 V |
| Maximum permanent current | 4.1 A |
| Product compatibility | LXM26D servo drive 0.6 kW, 220 V, single phase LXM26D servo drive 0.6 kW, 220 V, three phase LXM28... servo drive 0.6 kW, 220 V, single phase LXM28... servo drive 0.6 kW, 220 V, three phase LXM28... servo drive 0.6 kW, 110 V, single phase |
| Shaft end | Keyed |

The information provided in this documentation contains general descriptions and/or technical characteristics of the performance of the products contained herein. This documentation is not intended as a substitute for and is not to be used for determining suitability or reliability of these products for specific user applications. It is the duty of any such user or integrator to perform the appropriate and complete risk analysis, evaluation and testing of the products with respect to the relevant specific application or use thereof. Neither Schneider Electric Industries SAS nor any of its affiliates or subsidiaries shall be responsible or liable for misuse of the information contained herein.

| | |
|---------------------------------------|--------------------------------------|
| Shaft diameter | 0.87 in (22 mm) |
| Shaft length | 1.77 in (45 mm) |
| Key width | 0.31 in (8 mm) |
| Feedback type | 20 bits single turn absolute encoder |
| Holding brake | With |
| Holding torque | 84.97 lbf.in (9.6 N.m) built-in |
| Mounting Support | Asian standard flange |
| Motor flange size | 5.12 in (130 mm) |
| Electrical connection | Connector MIL |
| Torque constant | 1.52 N.m/A 68 °F (20 °C) |
| Back emf constant | 92 V/krpm 68 °F (20 °C) |
| Rotor inertia | 6.91 kg.cm ² |
| Stator resistance | 1.93 Ohm 68 °F (20 °C) |
| Stator inductance | 24.9 mH 68 °F (20 °C) |
| Stator electrical time constant | 12.9 ms 68 °F (20 °C) |
| Maximum radial force Fr | 670 N 1000 rpm |
| Maximum axial force Fa | 200 N |
| Brake pull-in power | 19.7 W |
| Type of cooling | Natural convection |
| Length | 7.20 in (183 mm) |
| Number of motor stacks | 1 |
| Centring collar diameter | 4.33 in (110 mm) |
| Centring collar depth | 0.31 in (8 mm) |
| Number of mounting holes | 4 |
| Mounting holes diameter | 0.36 in (9.2 mm) |
| Circle diameter of the mounting holes | 5.71 in (145 mm) |
| Distance shaft shoulder-flange | 0.31 in (8 mm) |
| Net Weight | 18.08 lb(US) (8.2 kg) |

Environment

| | |
|---------------------------------------|---------------------------------|
| IP Degree of Protection | IP50 IM V3 IP65 IM B5, IM V1 |
| Ambient Air Temperature for Operation | 32...104 °F (0...40 °C) |

Ordering and shipping details

| | |
|-------------------|---------------------------|
| Category | 18281-LEXIUM 23/28 MOTORS |
| Discount Schedule | PC53 |
| GTIN | 3606480734595 |
| Returnability | No |
| Country of origin | CN |

Packing Units

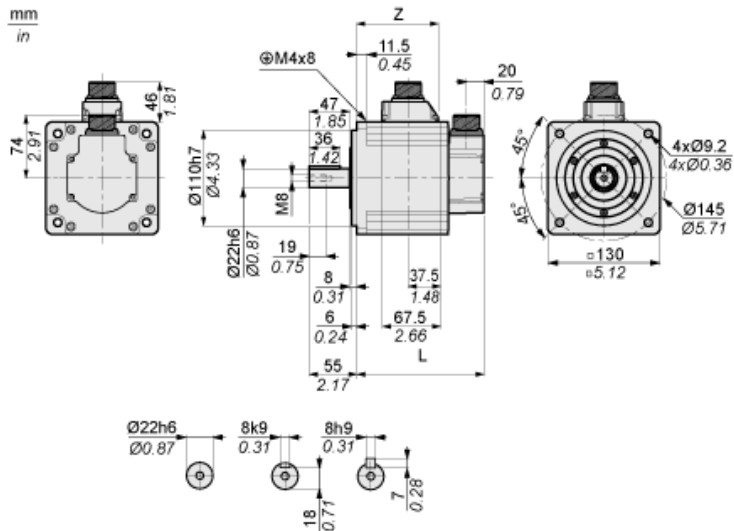
| | |
|------------------------------|--------------------|
| Unit Type of Package 1 | PCE |
| Number of Units in Package 1 | 1 |
| Package 1 Height | 7.13 in (18.1 cm) |
| Package 1 Width | 9.06 in (23 cm) |
| Package 1 Length | 14.17 in (36 cm) |
| Package 1 Weight | 330.16 oz (9360 g) |

Offer Sustainability

| | |
|----------------------------|---|
| Sustainable offer status | Green Premium product |
| California proposition 65 | WARNING: This product can expose you to chemicals including: Lead and lead compounds, which is known to the State of California to cause cancer and birth defects or other reproductive harm. For more information go to www.P65Warnings.ca.gov |
| REACH Regulation | REACH Declaration |
| REACH free of SVHC | Yes |
| EU RoHS Directive | Pro-active compliance (Product out of EU RoHS legal scope) |
| Mercury free | Yes |
| China RoHS Regulation | China RoHS Declaration |
| RoHS exemption information | Yes |
| Environmental Disclosure | Product Environmental Profile |
| Circularity Profile | End Of Life Information |
| WEEE | The product must be disposed on European Union markets following specific waste collection and never end up in rubbish bins. |
| PVC free | Yes |

Dimensions

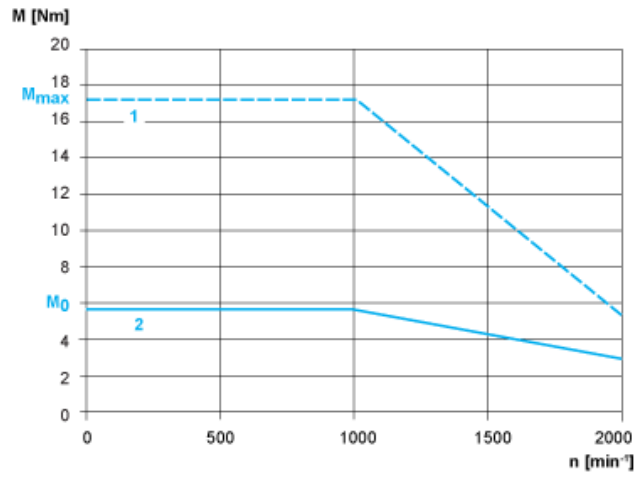
Dimensions of Motor



| | mm | in. |
|---------------------------|------|------|
| L (without holding brake) | 147 | 5.79 |
| L (with holding brake) | 183 | 7.2 |
| Z | 94.5 | 3.72 |

Torque/Speed Curves with 230 V Single/Three Phase Supply Voltage

Servo Motor with LXM28AU02●●● Servo Drive



- 1 : Peak torque
- 2 : Continuous torque