



Main

Range of product	Harmony Relay
Product or component type	Solid state relay
Device short name	SSM1
Number of phases	1 phase

Complementary

Mounting support	Symmetrical DIN rail
[In] rated current	45 A
Output voltage	24...280 V AC
[Uc] control circuit voltage	3...32 V DC
Contacts type and configuration	1 NO
Tightening torque	0.6...0.7 N.m input 1.36...1.7 N.m output
Connections - terminals	Screw terminals 1 x 0.2...1 x 3.3 mm ² , AWG 24...AWG 12) input Screw terminals 1 x 0.2...1 x 8.4 mm ² , AWG 24...AWG 8) output
Maximum capacitance	8 pF input/output
Insulation resistance	1000 MOhm 500 V DC
Local signalling	Input status LED (green)
Switching voltage	1 V DC turn-off 3 V DC turn-on
Input current	14...17 mA
Solid state output type	SCR output Zero voltage switching
Load current	0.15...45 A
Transient overvoltage	600 V
Surge current	625 A 16.6 ms
Maximum voltage drop	<1.6 V on-state

Disclaimer: This documentation is not intended as a substitute for and is not to be used for determining suitability or reliability of these products for specific user applications

Maximum I ² t for fusing	1620 A ² .s 8.3 ms
Maximum leakage current	10 mA off-state
DV/Dt	500 V/μs off-state at maximum voltage
Response time	0.5 cycle turn-on) 0.5 cycle turn-off)
Overvoltage category	III
Net weight	1.05 lb(US) (0.476 kg)

Environment

Dielectric strength	4 kV AC input/output 4 kV AC input or output to case
Pollution degree	2
Standards	IEC 60950-1 CSA C22.2 No 14 UL 508
Product certifications	CSA UL EAC
Marking	CSA EAC UL CE
IP degree of protection	IP20
Ambient air temperature for operation	-40...176 °F (-40...80 °C)
Ambient air temperature for storage	-40...257 °F (-40...125 °C)

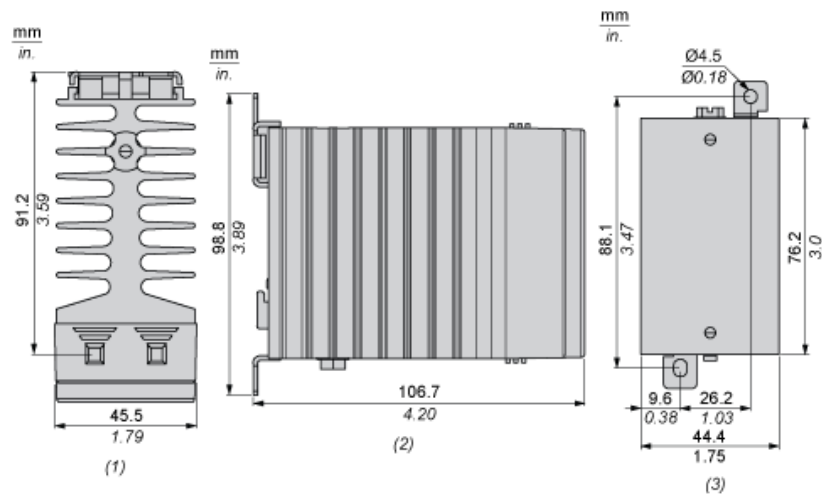
Packing Units

Package 1 Weight	1.14 lb(US) (0.517 kg)
Package 1 Height	0.600 dm
Package 1 width	1.150 dm
Package 1 Length	1.180 dm

Offer Sustainability

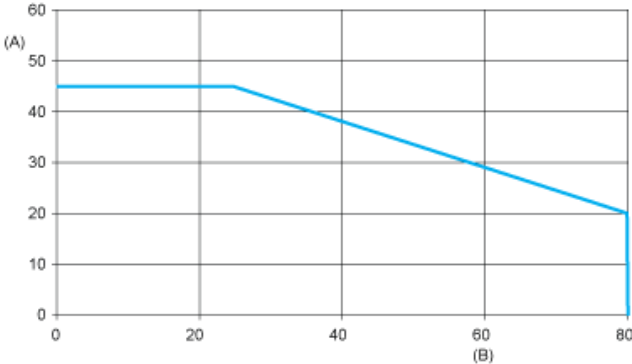
Sustainable offer status	Green Premium product
REACH Regulation	REACH Declaration
EU RoHS Directive	Pro-active compliance (Product out of EU RoHS legal scope) EU RoHS Declaration
Mercury free	Yes
RoHS exemption information	Yes
China RoHS Regulation	China RoHS declaration
Environmental Disclosure	Product Environmental Profile
Circularity Profile	End of Life Information

Dimensions



- (1) Top view
- (2) Side view
- (3) Front view

Derating Curves



A : Load Current (Amperes)
B : Ambient Temperature (°C)