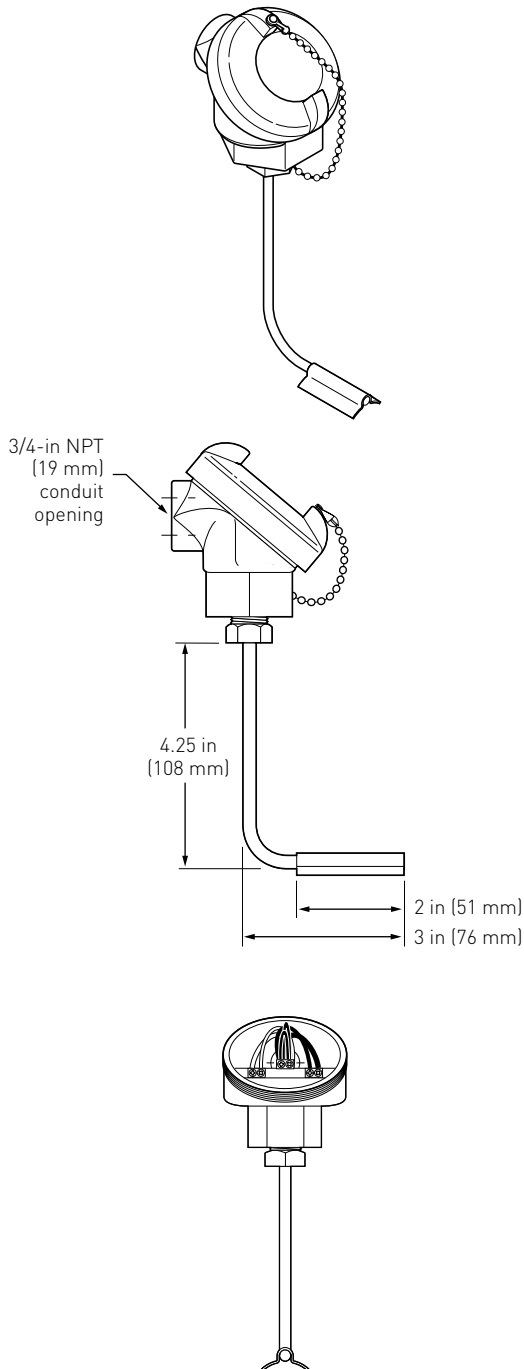


Raychem RTD4AL

RTD TEMPERATURE SENSOR

For temperature measurement up to 900°F (482°C)



PRODUCT OVERVIEW

The Raychem RTD4AL is a three-wire platinum RTD (resistance-temperature detector) typically used with monitoring and control systems that require accurate temperature control. The RTD4AL kit can be used with a wide variety of Raychem monitoring and control systems.

SPECIFICATIONS

Sensor housing	Aluminum; NEMA 4X
Sensor sheath	316 stainless steel
Range	-100°F to 900°F (-73°C to 482°C) maximum
Accuracy	±1°F (0.5°C) at 32°F (0°C)
Resistance	100 ohms at 0°C $\alpha = 0.00385$ ohms/ohm/°C
Connection	3/4-in (19 mm) NPT conduit hub

Note: The length of RTD extension wires is determined by the wire gauge used. To reduce the likelihood that electrical noise will affect temperature measurement, keep RTD extension wires as short as possible. Use shielded instrument cable such as Raychem MONI-RTD-WIRE (22 AWG, PVC insulation, -30°F to 140°F, -20°C to 60°C) or Belden 83553 (22 AWG, FEP insulation, -95°F to 395°F, -70°C to 200°C).

ADDITIONAL MATERIALS REQUIRED


Pipe strap, conduit, 16–22 AWG shielded instrument cable

KIT CONTENTS

One RTD temperature sensor

APPROVALS

The RTD4AL is CSA certified to U.S. and Canadian standards.

 Class I, Div. 2, Groups A, B, C, D
Class II, Div. 2, Groups F, G