



Main

Range of product	Modicon Quantum automation platform
Product or component type	Dc discrete output module
Discrete output number	12

Complementary

Group of channels	2 groups of 6
Discrete output logic	Negative logic (sink)
Addressing requirement	1 input word 1 output word
Discrete output voltage	24...125 V DC
Output voltage limits	19.2...156.2 V
Maximum load current	<= 3 A 32...140 °F (0...60 °C) each group <= 6 A 32...140 °F (0...60 °C) per module <= 0.75 A 32...104 °F (0...40 °C) each point
Surge current	4 A 1 ms
Response time	1 ms at state 0 to state 1 1 ms at state 1 to state 0
Short-circuit protection	With
Output overvoltage protection	By varistor per group
Load inductance	No limit (protected by diode)
Maximum tungsten load	<41 W 115 V <46 W 130 V <8 W 24 V
Switching frequency	<= 50 Hz
Fault indication	Overcurrent
Isolation between channels and bus	2500 Vrms DC for 1 minute
Isolation between group	1200 Vrms DC for 1 minute
Protection type	Internal output protection by 4 A fuse
Power dissipation	1 W + (0.77 x all points on)
Marking	CE
Local signalling	Bus communication is present (Active) 1 LED green) External fault detected (F) 1 LED red) Input status 16 LEDs green)
Bus current requirement	375 mA 6 outputs at state 1 650 mA 12 outputs at state 1
Module format	Standard
Net Weight	0.99 lb(US) (0.45 kg)

Environment

Product certifications	GOST FM Class 1 Division 2 C-tick RMRS
Standards	UL 508 CSA C22.2 No 142
Resistance to electrostatic discharge	4 KV contact IEC 801-2 8 kV on air IEC 801-2
Resistance to electromagnetic fields	9.14 V/m (10 V/m) 80...2000 MHz IEC 801-3
Ambient air temperature for operation	32...140 °F (0...60 °C)
Ambient air temperature for storage	-40...185 °F (-40...85 °C)
Relative humidity	95 % without condensation
Operating altitude	<= 16404.2 ft (5000 m)

Ordering and shipping details

Category	18155 - QUANTUM I/O & POWER SUPPLIES
Discount Schedule	PC21
GTIN	00785901103165
Nbr. of units in pkg.	1
Package weight(Lbs)	2.21 lb(US) (1.00 kg)
Returnability	No
Country of origin	CN

Packing Units

Package 1 Height	1.97 in (50.000 mm)
Package 1 width	6.50 in (165.000 mm)
Package 1 Length	12.40 in (315.000 mm)

Offer Sustainability

Sustainable offer status	Green Premium product
California proposition 65	WARNING: This product can expose you to chemicals including: Lead and lead compounds, which is known to the State of California to cause cancer and birth defects or other reproductive harm. For more information go to www.P65Warnings.ca.gov
REACH Regulation	REACH Declaration
REACH free of SVHC	Yes
EU RoHS Directive	Pro-active compliance (Product out of EU RoHS legal scope) EU RoHS Declaration
Mercury free	Yes
RoHS exemption information	Yes
China RoHS Regulation	China RoHS Declaration
Environmental Disclosure	Product Environmental Profile
Circularity Profile	End Of Life Information
WEEE	The product must be disposed on European Union markets following specific waste collection and never end up in rubbish bins.

Contractual warranty

Warranty	18 months
----------	-----------

Racks for Modules Mounting

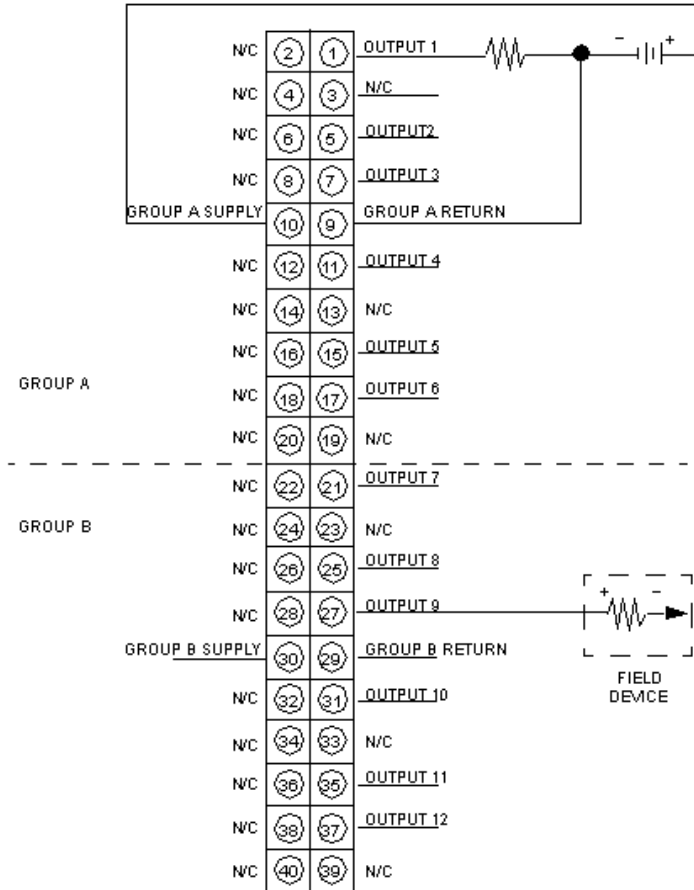
Dimensions of Modules and Racks



- (1) 2 slots
- (2) 3 slots
- (3) 4 slots
- (4) 6 slots
- (5) 10 slots
- (6) 16 slots

24...125 Vdc Discrete Output Source Module

Wiring Diagram



N/C Not Connected