



Main

Range of Product	Harmony 9001K
Product or Component Type	Pilot light
Device short name	9001K

Complementary

Bezel material	Metal
Mounting diameter	1.18 in (30 mm)
Shape of signaling unit head	Round
Lens type	Domed plastic
Cap/operator or lens colour	Red
Light source	incandescent
Bulb base	BA 9s
Light block supply	Via integral transformer 380...480 V AC 50/60 Hz 6 V)
Connections - terminals	Screw clamp terminals, 1 x 0.22...2 x 1.5 mm ² IEC 60947-1
Tightening torque	7.08 lbf.in (0.8 N.m) IEC 60947-1
Shape of screw head	Cross slotted
Shape of screw head	Cross slotted
Operating position	Any position
[Ui] rated insulation voltage	250 V 2)IEC 60947-1
[Uimp] rated impulse withstand voltage	2.5 kV IEC 60947-1
Short-circuit protection	10 A cartridge fuse IEC 60947-5-1
Light source	Incandescent bulb
[Ith] conventional free air thermal current	10 A
CAD overall width	2.13 in (54 mm)
CAD overall height	2.76 in (70 mm)
CAD overall depth	1.65 in (42 mm)
[Us] rated supply voltage	380...480 V AC
Net Weight	0.46 lb(US) (0.21 kg)
Device presentation	Complete product
Lens type	Domed
[Us] rated supply voltage	380...480 V
Light block supply	Via integral transformer
Supply frequency	50...60 Hz
Lens material	Polycarbonate
Size	30 mm

Environment

Standards	EN/IEC 60947-1 EN/IEC 60947-5-4 UL 508 JIS C 852 JIS C8201-5-1 CSA C22.2 No 14 EN/IEC 60947-5-1 JIS C8201-1
Product Certifications	NEMA[RETURN]JUL 508
Protective treatment	TC
Ambient Air Temperature for Storage	-40...158 °F (-40...70 °C)
Ambient Air Temperature for Operation	-13...158 °F (-25...70 °C)
Vibration resistance	7 gn 2...500 Hz)IEC 60068-2-6
Shock resistance	50 gn IEC 60068-2-27
Overvoltage category	Class II IEC 61140
IP degree of protection	IP66 IEC 60529
NEMA degree of protection	NEMA 1 NEMA 12 NEMA 13 NEMA 2 NEMA 3 NEMA 3R NEMA 4 NEMA 6

Ordering and shipping details

Category	21426-9001 K (NOT KA,KM,KX)
Discount Schedule	CS1
GTIN	785901820543
Returnability	No
Country of origin	MX

Packing Units

Unit Type of Package 1	PCE
Number of Units in Package 1	1
Package 1 Height	1.80 in (4.572 cm)
Package 1 Width	2.10 in (5.334 cm)
Package 1 Length	3.60 in (9.144 cm)
Package 1 Weight	7.52 oz (213.188 g)

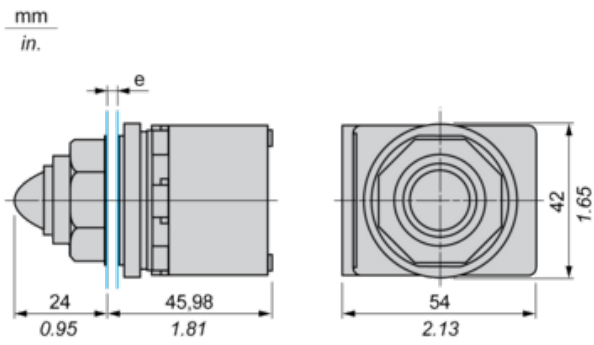
Offer Sustainability

Sustainable offer status	Green Premium product
California proposition 65	WARNING: This product can expose you to chemicals including: Lead and lead compounds, which is known to the State of California to cause cancer and birth defects or other reproductive harm. For more information go to www.P65Warnings.ca.gov
REACH Regulation	REACH Declaration
EU RoHS Directive	Pro-active compliance (Product out of EU RoHS legal scope)
Mercury free	Yes
China RoHS Regulation	China RoHS Declaration
RoHS exemption information	Yes
Environmental Disclosure	Product Environmental Profile
Circularity Profile	No need of specific recycling operations
WEEE	The product must be disposed on European Union markets following specific waste collection and never end up in rubbish bins.

Contractual warranty

Warranty	18 months
----------	-----------

Dimensions



e panel thickness: 1 to 6 mm / 0.04 to 0.24 in.