

BMP0701F3NA2A

synchronous motor - BMP - 480 VAC - 0.37 kW
- IP65 - IEC



Main

Product or Component Type	Synchronous motor
Device short name	BMP
Maximum mechanical speed	3600 rpm
Nominal output power	370 W ATV32 0.37 kW 400 V three phase 370 W ATV320 0.37 kW 400 V three phase
Nominal torque	10.44 Lbf.in (1.18 N.m) ATV32 0.37 kW 400 V three phase 10.44 lbf.in (1.18 N.m) ATV320 0.37 kW 400 V three phase
Nominal speed	3000 rpm ATV32 0.37 kW 400 V three phase 3000 rpm ATV320 0.37 kW 400 V three phase
Product compatibility	Variable speed drive ATV32 0.37 kW 400 V three phase Variable speed drive ATV320 0.37 kW 380...500 V three phase
Shaft end	Keyed
IP Degree of Protection	IP65 standard IP67 with IP67 kit
Holding brake	Without
Mounting Support	International standard flange
Electrical Connection	Rotatable right-angled connector

Complementary

Range Compatibility	Altivar Machine ATV320 Altivar 32
[Us] rated supply voltage	480 V
Phase	Three phase
Maximum current Irms	2.3 A ATV32 0.37 kW 400 V three phase 2.3 A ATV320 0.37 kW 400 V three phase
Nominal operating frequency	250 Hz ATV32 0.37 kW 400 V three phase 250 Hz ATV320 0.37 kW 400 V three phase
Minimum operating frequency	60 Hz ATV32 0.37 kW 400 V three phase 60 Hz ATV320 0.37 kW 400 V three phase
Maximum operating frequency	300 Hz ATV32 0.37 kW 400 V three phase 300 Hz ATV320 0.37 kW 400 V three phase
Shaft diameter	0.43 in (11 mm)
Shaft length	0.91 in (23 mm)
Key width	0.16 in (4 mm)
Motor flange size	2.76 in (70 mm)
Torque constant	1.48 N.m/A 104 °F (40 °C)
Number of motor poles	5
Number of motor stacks	1
Rotor inertia	0.59 kg.cm ²
Stator resistance	17.75 Ohm 104 °F (40 °C)
Stator inductance	40.03 MH for q-axis winding 104 °F (40 °C) 40.03 mH for d-axis winding 104 °F (40 °C)
Maximum radial force Fr	660 N 1000 rpm 520 N 2000 rpm 460 N 3000 rpm 410 N 4000 rpm
Maximum axial force Fa	0.2 x Fr

The information provided in this documentation contains general descriptions and/or technical characteristics of the performance of the products contained herein. This documentation is not intended as a substitute for and is not to be used for determining suitability or reliability of these products for specific user applications. It is the duty of any such user or integrator to perform the appropriate and complete risk analysis, evaluation and testing of the products with respect to the relevant specific application or use thereof. Neither Schneider Electric Industries SAS nor any of its affiliates or subsidiaries shall be responsible or liable for misuse of the information contained herein.

Type of cooling	Natural convection
Length	4.80 in (122 mm)
Centring collar diameter	2.36 in (60 mm)
Centring collar depth	0.10 in (2.5 mm)
Number of mounting holes	4
Mounting holes diameter	0.22 in (5.5 mm)
Circle diameter of the mounting holes	2.95...3.23 in (75...82 mm)
Net Weight	3.53 lb(US) (1.6 kg)

Ordering and shipping details

Category	18282-LEXIUM 32 MOTORS
Discount Schedule	PC53
GTIN	3606480564383
Returnability	No
Country of origin	DE

Packing Units

Unit Type of Package 1	PCE
Number of Units in Package 1	1
Package 1 Height	4.53 in (11.5 cm)
Package 1 Width	7.48 in (19.0 cm)
Package 1 Length	15.75 in (40.0 cm)
Package 1 Weight	4.59 lb(US) (2.084 kg)
Unit Type of Package 2	P06
Number of Units in Package 2	6
Package 2 Height	30.31 in (77.0 cm)
Package 2 Width	31.50 in (80.0 cm)
Package 2 Length	23.62 in (60.0 cm)
Package 2 Weight	46.31 lb(US) (21.004 kg)

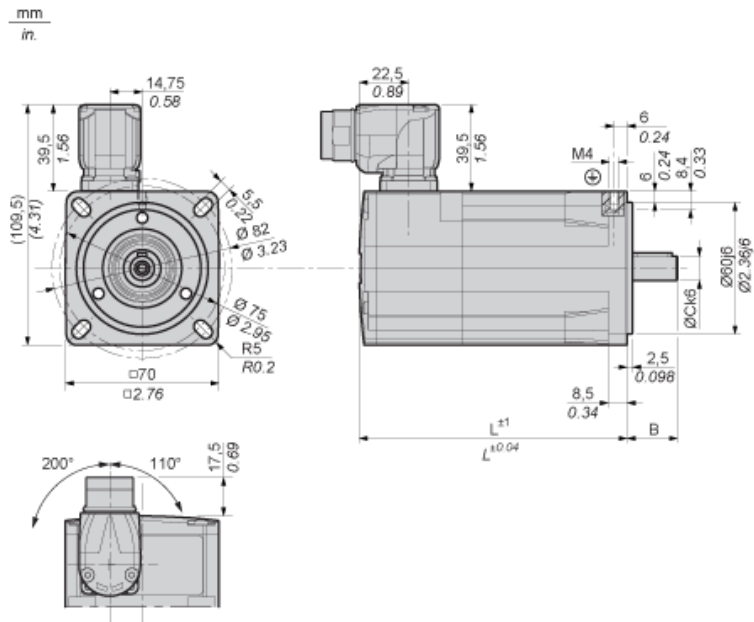
Offer Sustainability

California proposition 65	WARNING: This product can expose you to chemicals including: Lead and lead compounds, which is known to the State of California to cause cancer and birth defects or other reproductive harm. For more information go to www.P65Warnings.ca.gov
REACH Regulation	 REACH Declaration
EU RoHS Directive	Pro-active compliance (Product out of EU RoHS legal scope)
Mercury free	Yes
China RoHS Regulation	 China RoHS Declaration
RoHS exemption information	 Yes
WEEE	The product must be disposed on European Union markets following specific waste collection and never end up in rubbish bins.
PVC free	Yes

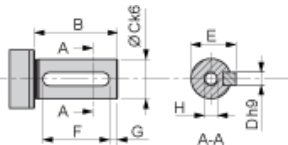
Contractual warranty

Warranty	18 months
----------	-----------

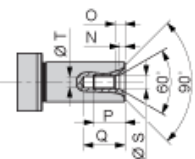
Dimensions



Parallel Key According to DIN 6885 A



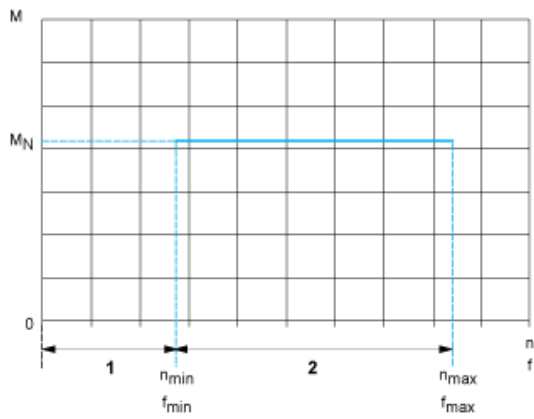
Female Thread of Shaft According to DIN 332-D



L	mm	122
in.	4.80	
B	mm	23
in.	0.90	
C	mm	11
in.	0.43	
D	mm	4
in.	0.16	
E	mm	12.5
in.	0.49	
F	mm	18
in.	0.71	
G	mm	2.5
in.	0.10	

H		M4
N	mm	2.1
in.	0.08	
O	mm	3.2
in.	0.12	
P	mm	10
in.	0.39	
Q	mm	14
in.	0.55	
S	mm	4.3
in.	0.17	
T	mm	3.3
in.	0.13	

Performance curves



- M : Torque in Nm
- n : Speed in rpm
- f : frequency in Hz
- 1 : Only permissible during acceleration and deceleration phases.
- 2 : Continuous operation with the default values from the configuration file.