



Main

Range of Product	Harmony iPC
Product or Component Type	PC panel
Processor name	Intel icore 3rd generation 827E cache 1.5 MB
Chipset type	Intel BD82HM76
Display size	12 inch
Display colour	16 million colours
Luminance	34.84 fc (375 cd/m ²)
Video controller type	Intel HD Graphics 3000
Operating system	Windows 7 64 bits Ultimatemulti-language
Software package	Vijeo Designer run time demo
Bezel material	Aluminium alloy

Complementary

Terminal type	Touchscreen display
Data storage equipment	>= 500 GB enterprise hard disk
Display Type	Active matrix colour TFT LCD with LED backlight
Display Resolution	1024 x 768 pixels XGA
Backlight lifespan	50000 hours 77 °F (25 °C)
View angle horizontal x vertical	80 x 80°
Touch panel	Analogue resistive
Memory type	2 GB, expandable to 16 GB RAM DDR3
Type of cooling	Fan
Integrated connection type	2 Ethernet port - RJ45 COM1 serial link - male SUB-D 9 - RS232C 115 kbit/s)bottom COM2 serial link - male SUB-D 9 - RS232C 115 kbit/s)bottom DVI video portbottom Audio output - mini-jack USB 2.0 type A 480 Mbit/s)front panel 4 USB 3.0 type A 5 Gbit/s)bottom
Port Ethernet	10BASE-T/100BASE-T/1000BASE-T
[Us] rated supply voltage	24 V DC +/- 25 % power supply
Inrush current	7 A
Power Consumption in W	130 W
Material	Die cast aluminium
Display material	Polyethylene sheet
Fixing mode	Enclosure door by fixing kit fasteners included)
Type of Installation	Indoor
Control type	ON/OFF push-button equipment ON and OFF) Push-button reset)
Local signalling	Buzzer For power LED (multi-colour) For link status LED For RUN LED For accessing hard disk (DISK) LED (orange)
Width	12.32 in (313 mm)
Height	9.41 in (239 mm)
Depth	2.36 in (60 mm)
Cut-out dimensions	301.5 (+ 1/- 0) x 227.5 (+ 1/- 0) x 1.6...9 mm
Net Weight	8.82 lb(US) (4 kg)
Main type	Universal

Environment

IP degree of protection	Front panel IP65 EN/IEC 60529
NEMA degree of protection	NEMA 4X front panel
Product certifications	CULus 508[RETURN]CULus CSA 22-2 No 142[RETURN]CULus HazLoc Class I Division 2 UL 1604[RETURN]CULus HazLoc Class I Division 2 ANSI/ISA 12-12-01[RETURN]CULus HazLoc Class I Division 2 CSA 22-2 No 213[RETURN]GOST[RETURN]CE[RETURN]C-tick
Pollution degree	2 EN/IEC 61131-2
Electromagnetic compatibility	Immunity to electromagnetic emissions, class A EN 55022 Immunity to electromagnetic emissions, class A EN 55011 Immunity to high frequency interference EN/IEC 61131-2 Immunity to high frequency interference EN/IEC 61000-4-x
Ambient air temperature for operation	32...122 °F (0...50 °C) vertical installation UL 508 32...113 °F (0...45 °C) vertical installation when using Gigabit Ethernet with HDD storage device UL 508 32...122 °F (0...50 °C) vertical installation IEC 61132-2 32...113 °F (0...45 °C) vertical installation when using Gigabit Ethernet with HDD storage device IEC 61132-2
Ambient air temperature for storage	-4...140 °F (-20...60 °C) IEC 60068-2-2 test Bb -4...140 °F (-20...60 °C) IEC 60068-2-14 test Na
Relative Humidity	10...85 % non-condensing EN/IEC 60068-2-78 10...85 % non-condensing EN/IEC 60068-2-30
Operating altitude	6561.68 ft (2000 m) EN/IEC 61131-2
Vibration resistance	1.75 mm 2...9 Hz) continuous EN/IEC 60068-2-6 Fc 3.5 mm 2...9 Hz) intermittently EN/IEC 60068-2-6 Fc 0.5 gn 9...200 Hz) continuous EN/IEC 60068-2-6 Fc 1 gn 9...200 Hz) intermittently EN/IEC 60068-2-6 Fc 1 mm 3...13.2 Hz) continuous EN/IEC 60068-2-6 Fc 0.7 gn 13.2...100 Hz) continuous EN/IEC 60068-2-6 Fc
Shock resistance	15 gn 11 ms IEC 60068-2-27, Ea tests

Ordering and shipping details

Category	22575-MAGELIS MC3
Discount Schedule	MC3
GTIN	3595864172538
Returnability	No
Country of origin	AT

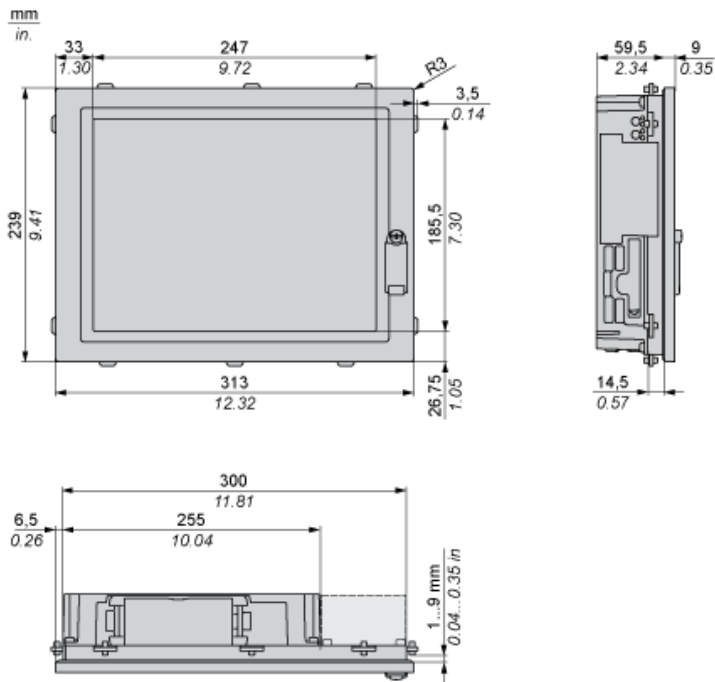
Packing Units

Unit Type of Package 1	PCE
Number of Units in Package 1	1
Package 1 Height	10.43 in (26.5 cm)
Package 1 Width	12.20 in (31.0 cm)
Package 1 Length	17.32 in (44.0 cm)
Package 1 Weight	13.73 lb(US) (6.229 kg)
Unit Type of Package 2	S04
Number of Units in Package 2	1
Package 2 Height	11.81 in (30.0 cm)
Package 2 Width	15.75 in (40.0 cm)
Package 2 Length	23.62 in (60.0 cm)
Package 2 Weight	15.43 lb(US) (7.0 kg)

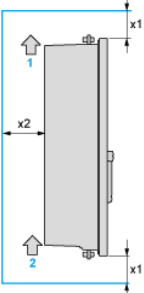
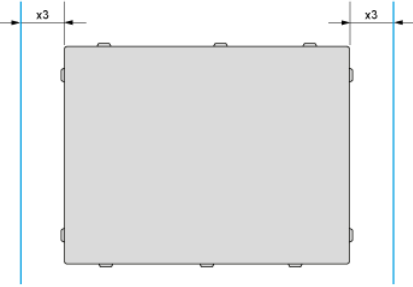
Offer Sustainability

EU RoHS Directive	Pro-active compliance (Product out of EU RoHS legal scope)  EU RoHS Declaration
Toxic heavy metal free	Yes
Mercury free	Yes
China RoHS Regulation	 China RoHS Declaration
RoHS exemption information	 Yes
WEEE	The product must be disposed on European Union markets following specific waste collection and never end up in rubbish bins.

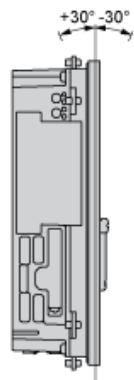
Dimensions



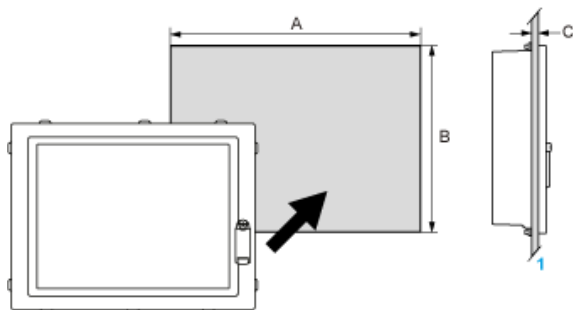
Spacing Requirement

Top, Bottom and Rear Sides	Left and Right Sides
 <p>1 Air out 2 Air in</p>	

Mounting Orientation



Panel Cut Dimensions



1 Installation panel

A	B	C
301.5 +1/0 mm (11.87 +0.04/0 in.)	227.5 +1/0 mm (8.96 +0.04/0 in.)	1.6...9 mm (0.06...0.35 in.)