

6

5

4

3

2

1

E

E

D

D

C

C

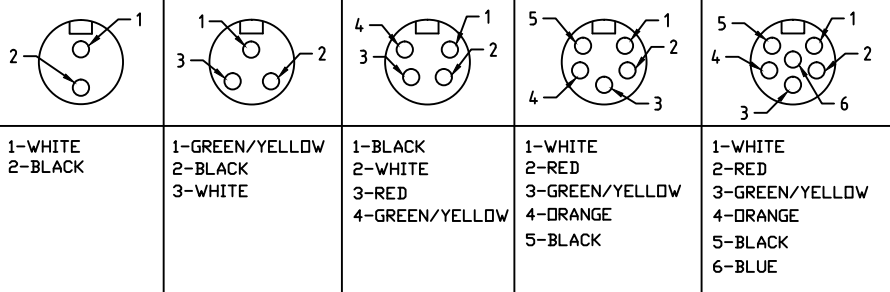
B

B

A

A

FACE VIEW-FEMALE INSERT



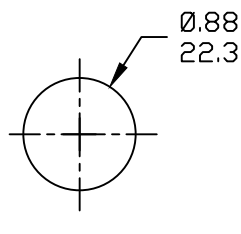
- NOTES:
1. MATERIAL: SEE TABLE
 2. FINISH: SEE TABLE
 3. ELECTRICAL:
VOLTAGE: 2P THRU 6P 600V PER UL 2238
3P 500V PER IEC60664
4P 483V PER IEC60664
5 & 6P 400V PER IEC60664
 4. TEMP RATING: -20°TO +105°C
 5. PROTECTION: IP67 (WHEN MATED)
 6. UL RECOGNIZED, FILE E152210
 7. ALL DIMS ARE FOR REFERENCE UNLESS NOTED OTHERWISE

(A1) CABLE LENGTH TOLERANCES

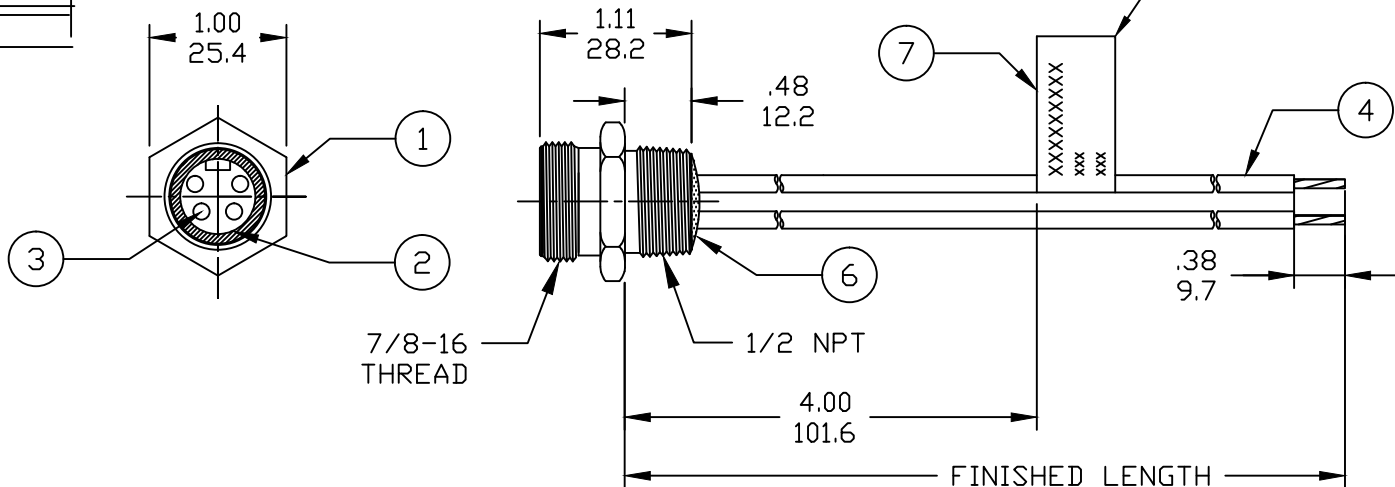
>.3M [1FT]: +19mm-0 [+ .75in-0]
.3 - .9M [1 - 3FT]: +44.5mm-0 [+1.75in-0]
.9 - 1.8M [3 - 6FT]: +55.6mm-0 [+2.19in-0]
1.8 - 3.7M [6 - 12FT]: +88.9mm-0 [+3.50in-0]
3.7 - 7.3M [12 - 24FT]: +165.1mm-0 [+6.50in-0]
7.3-14.6M [24 - 48FT]: +317.5mm-0 [+12.50in-0]
14.6 - 30.5M [48-100FT]: +622.3mm-0 [+24.50in-0]
OVER 30M [100FT] +2% OF FINISHED LENGTH

PART NO.	ENGINEERING NO.	FINISHED LENGTH
1300130582	1R6004A20F120	12IN
1300131164	1R5004A20M010	1.0M
1300130328	1R4004A20F080	8.0FT
1300130143	1R3004A20F030	3.0FT
1300130321	1R4004A20F030	3.0FT
1300130449	1R5004A20F030	3.0FT

CHART (A1)



REF. KNOCKOUT HOLE



PART NUMBER LEGEND

1R3004A20F020

POLES 2-6 FINISHED LENGTH:
A120= 12 IN.
F020= 2 FEET
F100= 10 FEET

M005= 0.5 METER
M010= 1 METER
M100= 10 METER

TABLE

ITEM	DESCRIPTION	MATERIAL	FINISH
6	FLAG LABEL	VINYL	BLACK/YELLOW
5	POTTING MATERIAL	EPDXY	
4	WIRE, 16 AWG UL (1015)	PVC INSULATION	SEE CHART
3	CONTACT SOCKET	COPPER ALLOY	GOLD PLATED
2	FEMALE INSERT	PVC	YELLOW
1	RECEPTACLE SHELL	ZINC DIE-CAST	BLACK

REVID EC/VOLTS, ADD UL FILE, CHART & TOOLS
EC NO: IPG2017-1018
DRWN: RSTONE 5/1/17
CHKD: M ZIELIN 2017/05/08
APPR: BWOODMAN

QUALITY SYMBOLS
=0
C/ =0

	GENERAL TOLERANCES (UNLESS SPECIFIED)	
	mm	INCH
4 PLACES	±---	±---
3 PLACES	±---	±---
2 PLACES	±---	±---
1 PLACE	±---	±---

ANGULAR ±1/2°

DRAFT WHERE APPLICABLE MUST REMAIN WITHIN DIMENSIONS

DIMENSION STYLE	
INCH/MM	
DRAWN BY	DATE
RSTONE	2016/12/05
CHECKED BY	DATE
M ZIELIN	2016/12/12
APPROVED BY	DATE
---	---
MATERIAL NO.	---
---	---

SCALE	DESIGN UNITS	THIRD ANGLE PROJECTION
---	INCH	☉
TITLE		
MINI-CHANGE RECEPTACLE 2-6P FEMALE #16-1 PVC WIRES		
MOLEX INCORPORATED		
MATERIAL NO.	DOCUMENT NO.	SHEET NO.
---	SD-130013-121	1 OF 1

THIS DRAWING CONTAINS INFORMATION THAT IS PROPRIETARY TO MOLEX INCORPORATED AND SHOULD NOT BE USED WITHOUT WRITTEN PERMISSION

6

5

4

3

2

1