



## Main

Range compatibility	Lexium 28
Product or component type	Servo motor
Device short name	BCH2

## Complementary

Maximum mechanical speed	3000 rpm
[Us] rated supply voltage	220 V
Phase	Three phase Single phase
Continuous stall current	5.62 A
Continuous stall torque	47.71 Lbf.In (5.39 N.m) LXM28... 7 A, 220 V, single phase 47.71 lbf.in (5.39 N.m) LXM28... 7 A, 220 V, three phase
Continuous power	850 W
Peak stall torque	122.14 Lbf.In (13.8 N.m) LXM28... 7 A, 220 V, single phase 122.14 lbf.in (13.8 N.m) LXM28... 7 A, 220 V, three phase
Nominal output power	850 W LXM28... 7 A, 220 V, single phase 850 W LXM28... 7 A, 220 V, three phase
Nominal torque	47.71 Lbf.In (5.39 N.m) LXM28... 7 A, 220 V, single phase 47.71 lbf.in (5.39 N.m) LXM28... 7 A, 220 V, three phase
Nominal speed	1500 rpm LXM28... 7 A, 220 V, single phase 1500 rpm LXM28... 7 A, 220 V, three phase
Maximum current Irms	14.96 A LXM28... 0.85 kW, 220 V
Maximum permanent current	6.29 A
Product compatibility	LXM28... servo drive 0.85 kW, 220 V, single phase LXM28... servo drive 0.85 kW, 220 V, three phase
Shaft end	Smooth shaft
Shaft diameter	0.87 in (22 mm)
Shaft length	2.17 in (55 mm)
Feedback type	20 bits single turn absolute encoder
Holding brake	With
Holding torque	84.97 lbf.in (9.6 N.m) built-in
Mounting support	Asian standard flange
Motor flange size	5.12 in (130 mm)
Electrical connection	Connector MIL
Torque constant	0.96 N.m/A 68 °F (20 °C)
Back emf constant	58 V/krpm 68 °F (20 °C)
Rotor inertia	14.1 kg.cm <sup>2</sup>
Stator resistance	0.34 Ohm 68 °F (20 °C)
Stator inductance	4.5 mH 68 °F (20 °C)
Stator electrical time constant	13.24 ms 68 °F (20 °C)
Maximum radial force Fr	670 N 1500 rpm
Maximum axial force Fa	200 N

Brake pull-in power	19.7 W
Type of cooling	Natural convection
Length	8.50 in (216 mm)
Number of motor stacks	4
Centring collar diameter	4.33 in (110 mm)
Centring collar depth	0.31 in (8 mm)
Number of mounting holes	4
Mounting holes diameter	0.36 in (9.2 mm)
Circle diameter of the mounting holes	5.71 in (145 mm)
Distance shaft shoulder-flange	0.31 in (8 mm)
Net Weight	24.03 lb(US) (10.9 kg)

## Environment

IP degree of protection	IP54 IM B5, IM V1 IP50 IM V3
Ambient air temperature for operation	32...104 °F (0...40 °C)

## Ordering and shipping details

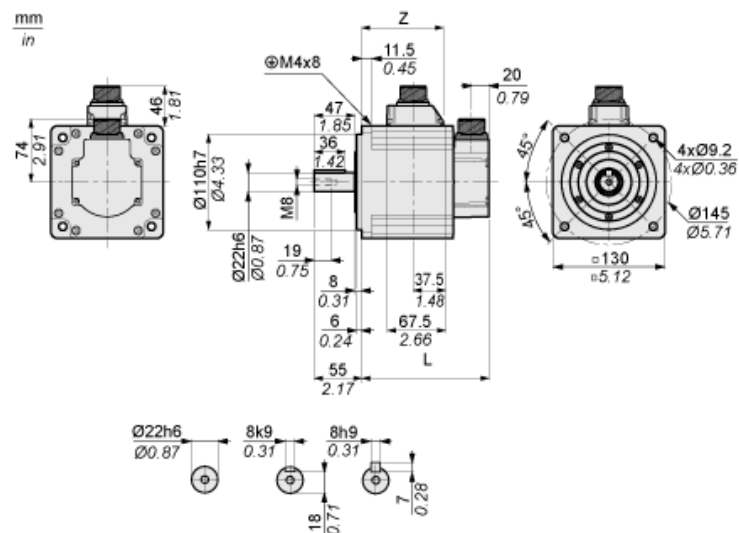
Category	18281 - LEXIUM 23/28 MOTORS
Discount Schedule	PC53
GTIN	03606480733895
Nbr. of units in pkg.	1
Package weight(Lbs)	25.3 lb(US) (11.48 kg)
Returnability	No
Country of origin	CN

## Packing Units

Unit Type of Package 1	PCE
Package 1 Height	7.13 in (18.1 cm)
Package 1 width	9.06 in (23 cm)
Package 1 Length	14.17 in (36 cm)

Dimensions

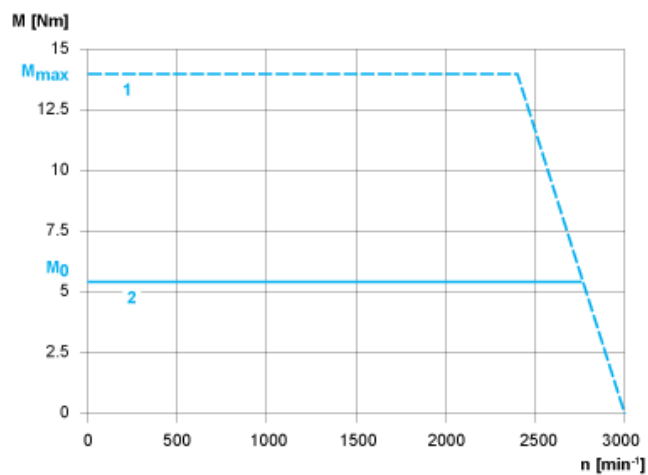
Dimensions of Motor



	mm	in.
L (without holding brake)	187	7.36
L (with holding brake)	216	8.5
Z	134.5	5.30

Torque/Speed Curves with 230 V Single/Three Phase Supply Voltage

Servo Motor with LXM28AU10●●● Servo Drive



- 1 : Peak torque
- 2 : Continuous torque