

Type 4, 4X Polyester Pushbutton Enclosure *PJPBLC* Series



Application

- Designed for use as instrument enclosures, electric, hydraulic or pneumatic control housings, electrical junction boxes or terminal wiring enclosures.
- Provides outstanding insulation and protection where equipment may be hosed down or be very wet.
- Ideal in applications with high temperatures or highly corrosive environments.

Standards

- UL 508 Type 1, 2, 3, 4, 4X, 12 and 13
- CSA Type 1, 2, 3, 4, 4X, 12 and 13
- **Complies with**
 - NEMA Type 1, 2, 3, 4, 4X, 12 and 13
 - IEC 60529, IP66

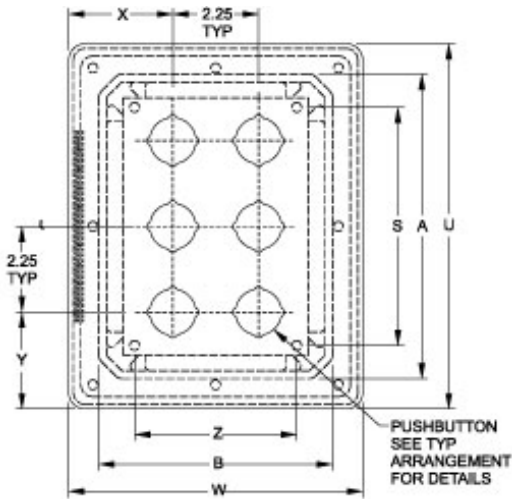
Construction

- Molded fiberglass polyester enclosure with matching cover is easily punched, cut, or drilled.
- Standard JIC sizes under 18" x 16".
- Threaded brass inserts are provided for optional inner panel or terminal kit mounting.
- Cover is fastened with captive stainless steel screws in threaded brass inserts.
- Captive oil resistant gasket provides a positive seal.
- Threaded brass inserts are provided for mounting feet to the rear of the enclosure.
- Stainless steel mounting brackets and hardware are provided for mounting to the rear of the enclosure.
- Enhanced UV inhibitors protect against outdoor weathering.
- Operating temperatures between 130°C and -40°C (266°F to -40°F).
- Impact index of 6.78J (5 ft/lb).
- For corrosion resistance information, please refer to table in **Technical Information**.

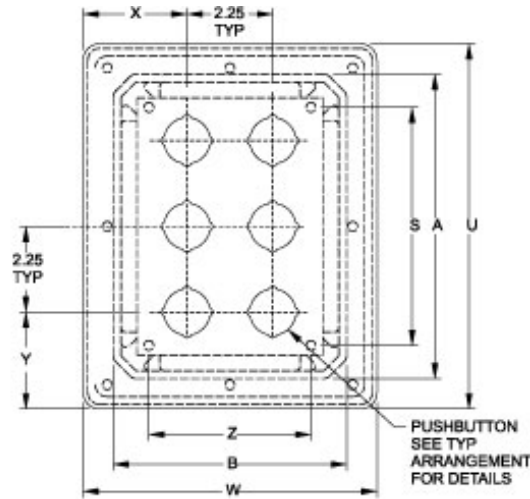
Finish

- Fiberglass polyester material has a gray finish.
- Optional inner panels are available in white powder coated finished steel or unfinished aluminum.

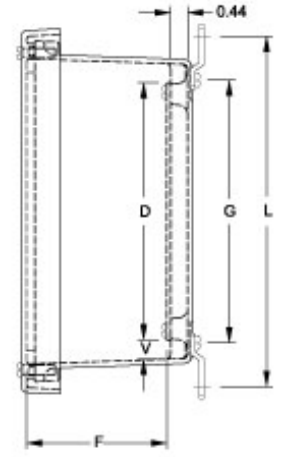
Accessories



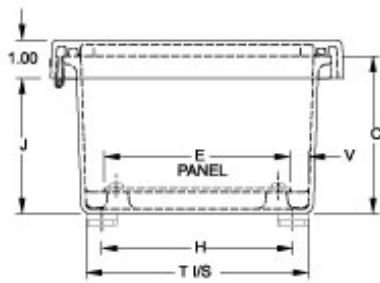
**Top View
Hinged Screw Cover**



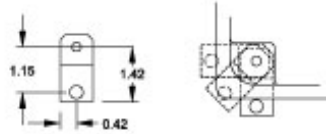
**Top View
Lift Off Screw Cover**



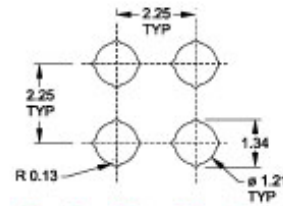
Side View



Front View

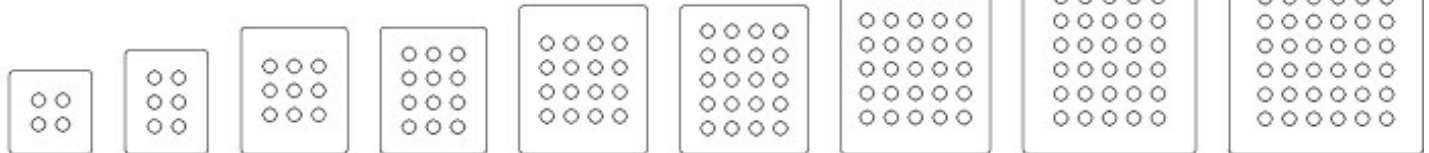


**Optional Mounting Feet
Locations**



**Typical Pushbutton
Arrangement**

Thermal Index
130°C to -40°C
(266°F to -40°F)
Impact Index
6.78J (5 ft/lb)



- PJ664P4
PJ664HP4
- PJ864P6
PJ864HP6
- PJ1086P9
PJ1086HP9
- PJ1086P12
PJ1086HP12
- PJ12106P16
PJ12106HP16
- PJ12106P20
PJ12106HP20
- PJ14126P25
PJ14126HP25
- PJ16148P30
PJ16148HP30
- PJ18168P42
PJ18168HP42

| Lift Off Cover Part No. | Hinged Cover Part No. | Overall Dimensions | | | Panel Size | | | | Center | | | |
|----------------------------|--------------------------|--------------------|-------|------|------------|-------|------|-------|--------|------|-------|-------|
| | | A | B | C | D | E | F | G | H | J | S | Z |
| PJ664P4 | PJ664HP4 | 6.10 | 6.10 | 4.18 | 4.88 | 4.88 | 3.76 | 5.01 | 5.01 | 3.52 | 4.25 | 4.25 |
| PJ864P6 | PJ864HP6 | 8.00 | 6.12 | 4.13 | 6.75 | 4.88 | 3.68 | 6.89 | 5.01 | 3.47 | 6.25 | 4.25 |
| PJ1084P9 | PJ1084HP9 | 10.13 | 8.26 | 4.13 | 8.75 | 6.88 | 3.68 | 8.89 | 7.01 | 5.47 | 8.25 | 6.25 |
| PJ1086P9 | PJ1086HP9 | 10.13 | 8.26 | 6.13 | 8.75 | 6.88 | 5.68 | 8.89 | 7.01 | 5.47 | 8.25 | 6.25 |
| PJ1086P12 | PJ1086HP12 | 10.13 | 8.26 | 6.13 | 8.75 | 6.88 | 5.68 | 8.89 | 7.01 | 5.47 | 8.25 | 6.25 |
| PJ12106P16 | PJ12106HP16 | 12.13 | 10.26 | 6.13 | 10.75 | 8.88 | 5.68 | 10.89 | 9.01 | 5.47 | 10.25 | 8.25 |
| PJ12106P20 | PJ12106HP20 | 12.13 | 10.26 | 6.13 | 10.75 | 8.88 | 5.68 | 10.89 | 9.01 | 5.47 | 10.25 | 8.25 |
| PJ14126P25 | PJ14126HP25 | 14.13 | 12.26 | 6.13 | 12.75 | 10.88 | 5.68 | 12.89 | 11.01 | 5.47 | 12.25 | 10.25 |
| PJ16148P30 | PJ16148HP30 | 16.27 | 14.40 | 8.13 | 14.75 | 12.88 | 7.68 | 14.89 | 13.01 | 7.47 | 14.25 | 12.25 |
| PJ18168P42 | PJ18168HP42 | 18.40 | 16.40 | 8.13 | 16.88 | 14.88 | 7.68 | 16.97 | 14.97 | 7.47 | 16.25 | 14.25 |

| Lift Off Cover Part No. | Hinged Cover Part No. | Optional | | | | | Steel Panel Part No. | No. Holes | Ship | | Wt. Lbs. |
|----------------------------|--------------------------|----------|------|------|------|------|-------------------------|--------------|------|------|----------|
| | | L | T | V | U | W | | | X | Y | |
| PJ664P4 | PJ664HP4 | 7.32 | 5.83 | 0.49 | 7.69 | 7.69 | 14R0505 | 4 | 2.72 | 2.72 | 4 |

| Lift Off Cover Part No. | Hinged Cover Part No. | Optional | | | | | Steel Panel Part No. | No. Holes | X | Y | Ship Wt. Lbs. |
|----------------------------|--------------------------|----------|-------|------|-------|-------|-------------------------|--------------|------|------|------------------|
| | | L | T | V | U | W | | | | | |
| PJ864P6 | PJ864HP6 | 9.19 | 5.85 | 0.50 | 9.59 | 7.71 | 14R0705 | 6 | 2.73 | 2.55 | 4 |
| PJ1084P9 | PJ1084HP9 | 11.19 | 7.85 | 0.50 | 11.77 | 9.90 | 14R0907 | 9 | 2.68 | 3.62 | 6 |
| PJ1086P9 | PJ1086HP9 | 11.19 | 7.85 | 0.50 | 11.77 | 9.90 | 14R0907 | 9 | 2.68 | 3.62 | 6 |
| PJ1086P12 | PJ1086HP12 | 11.19 | 7.85 | 0.50 | 11.77 | 9.90 | 14R0907 | 12 | 2.68 | 2.49 | 6 |
| PJ12106P16 | PJ12106HP16 | 13.19 | 9.85 | 0.50 | 13.77 | 11.90 | 14R1109 | 16 | 2.55 | 3.49 | 8 |
| PJ12106P20 | PJ12106HP20 | 13.19 | 9.85 | 0.50 | 13.77 | 11.90 | 14R1109 | 20 | 2.55 | 2.37 | 8 |
| PJ14126P25 | PJ14126HP25 | 15.19 | 11.85 | 0.50 | 15.73 | 13.85 | 14R1311 | 25 | 2.43 | 3.37 | 11 |
| PJ16148P30 | PJ16148HP30 | 17.19 | 13.71 | 0.50 | 17.87 | 15.99 | 14R1513 | 30 | 3.50 | 3.31 | 12 |
| PJ18168P42 | PJ18168HP42 | 19.28 | 15.72 | 0.50 | 20.00 | 18.00 | P1868 | 42 | 3.38 | 3.25 | 17 |

Data subject to change without notice

© 2016. Hammond Manufacturing Ltd. All rights reserved.