

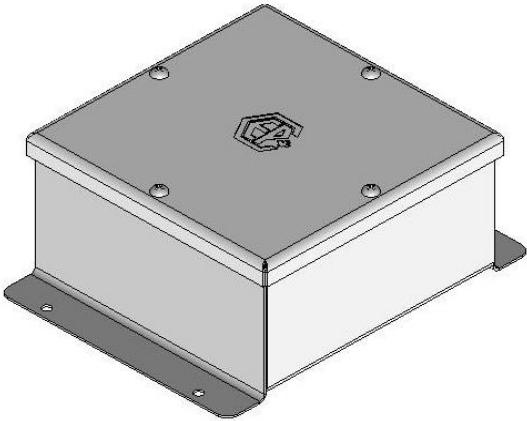
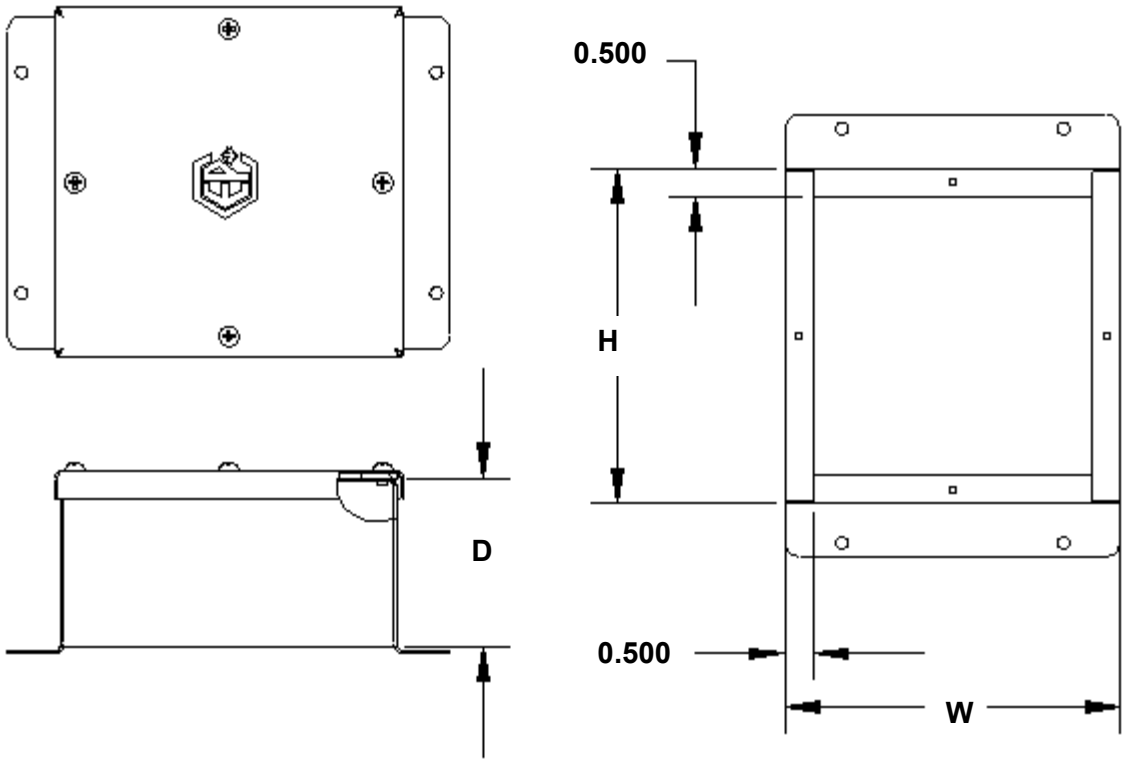
CSA 3 ALUMINUM PULL BOXES SCREW COVER

The DWP-AL boxes are used as junction boxes in outdoor or indoors installations where dripping water is a problem. These enclosures are designed to protect equipment against rain, sleet and snow. They are made from 12 Ga aluminum.

The boxes are solid welded, and the oil resistant high quality gasket ensures integrity.

Options include: hinged covers and padlockable hasps .

C.S.A. Certified / UL Listed



Cat No:	H	W	D	LBS.
D-WP-A-060603	6	6	3	1.5
D-WP-A-060604	6	6	4	2.0
D-WP-A-060606	6	6	6	3.0
D-WP-A-080804	8	8	4	2.5
D-WP-A-080806	8	8	6	3.5
D-WP-A-101004	10	10	4	3.5
D-WP-A-101006	10	10	6	4.5
D-WP-A-121204	12	12	4	4.5
D-WP-A-121206	12	12	6	5.0