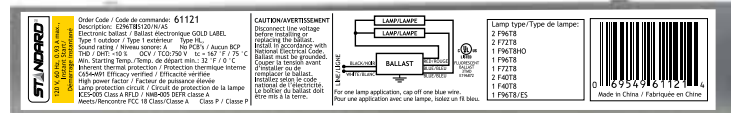


ORDERING INFORMATION

Order code: 61121
 Description: E296T8IS120/N/AS
 UPC: 69549611214



SPECIFICATIONS

Ballast type:	Electronic	Type	1 Outdoor
Starting method:	Instant Start	Contains PCBs:	No
Lamp connection:	Parallel	Sound rating:	A
Input voltage (V):	120	Open current voltage (OCV) (V):	750
Input frequency (Hz):	60	Inherent thermal protection:	Yes
Max. case temperature:	75 °C	Lamp protection circuit:	Yes
Thermal protection:	Class P	ICES-005 Compliant:	Class A RFLD
		Auto-restrike:	Yes



Lamp type	Number of lamps	Rated lamp watts	Min. start temp. (°F / °C)	Input current (A)	Input power (ANSI watts)	Ballast factor	Max THD (%)	Power factor	Max. lamp current crest factor	B.E.F.
120 VOLTS										
F96T8 (59W)	2	59	32/0	0.93	110	0.88	10	0.98	1.7	0.80
F96T8/ES (57W)	2	57	32/0	0.90	106	0.90	10	0.98	1.7	0.85
F96T8/ES (54W)	2	54	32/0	0.77	93	0.87	10	0.98	1.7	0.94
F96T8/ES (51W)	2	51	32/0	0.81	96	1.00	20	0.98	1.7	1.04
F72T8 (46W)	2	46	32/0	0.74	88	1.05	10	0.98	1.7	1.19
F40T8 (40W)	2	40	32/0	0.60	71	0.85	10	0.98	1.7	1.20
F96T8 (59W)	1	59	32/0	0.57	68	1.09	10	0.95	1.7	1.60
F96T8/ES (57W)	1	57	32/0	0.60	68	1.10	10	0.98	1.7	1.62
F96T8/ES (54W)	1	54	32/0	0.47	57	1.10	20	0.95	1.7	1.93
F96T8/ES (51W)	1	51	32/0	0.49	59	1.10	20	0.95	1.7	1.86
F72T8 (46W)	1	46	32/0	0.44	52	1.20	10	0.95	1.7	2.31
F40T8 (40W)	1	40	32/0	0.40	46	1.05	30	0.98	1.7	2.28
F96T8HO (86W)	1	86	32/0	0.77	92	1.05	10	0.98	1.7	1.14

WARRANTY:

Ballast warranty of 5 years for electronic ballast 75 °C. Ballast warranty of 3 years for electronic ballast 90 °C. For more information visit our website.

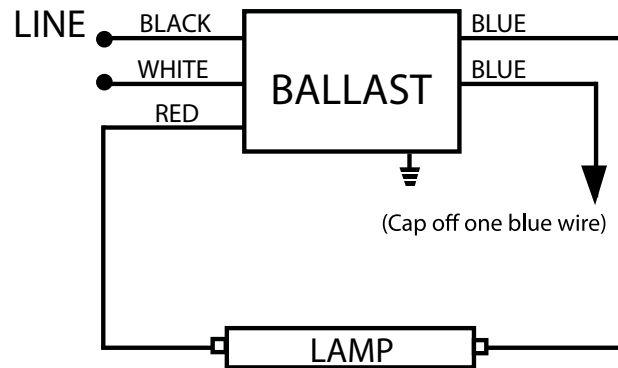
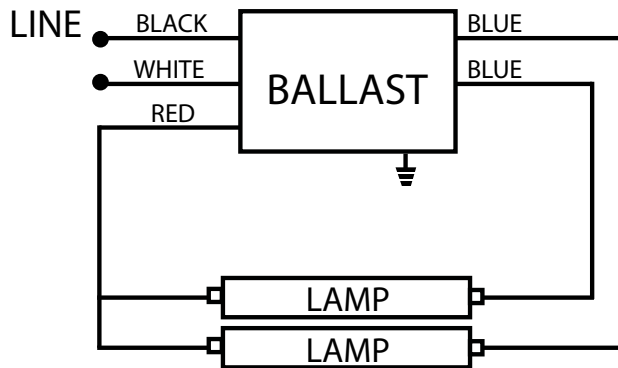
Data is based upon tests performed in a controlled environment and representative of relative performance. Actual performance can vary depending on operating conditions. Specifications are subject to change without notice.
 March 9, 2015



ORDERING INFORMATION

Order code: 61121
 Description: E296T8IS120/N/AS
 UPC: 69549611214

WIRING DIAGRAM

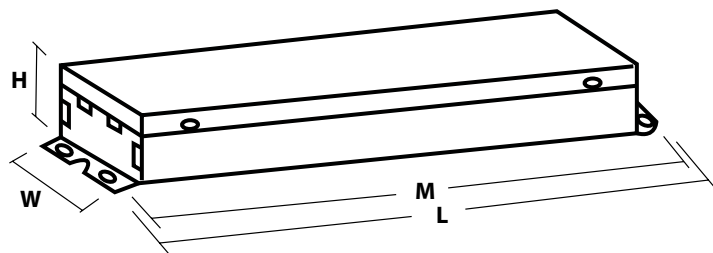


LEADS LENGTH

Black	25" (63.50 cm)
White	25" (63.50 cm)
Blue	46" (116.84 cm)
Red	79" (200.66 cm)

BALLAST DIMENSIONS

Length (L):	9.50" (24.1 cm)
Width (W):	1.30" (3.3 cm)
Height (H):	1.00" (2.5 cm)
Mounting (M):	8.90" (22.6 cm)



WARRANTY:

Ballast warranty of 5 years for electronic ballast 75 °C. Ballast warranty of 3 years for electronic ballast 90 °C.
 For more information visit our website.

Data is based upon tests performed in a controlled environment and representative of relative performance.
 Actual performance can vary depending on operating conditions. Specifications are subject to change without notice.
 March 9, 2015