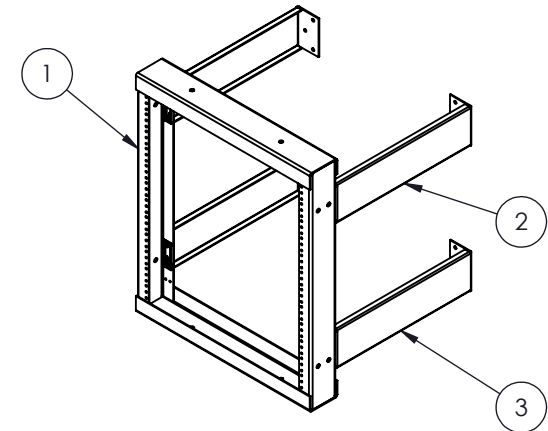
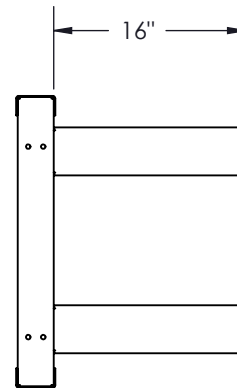
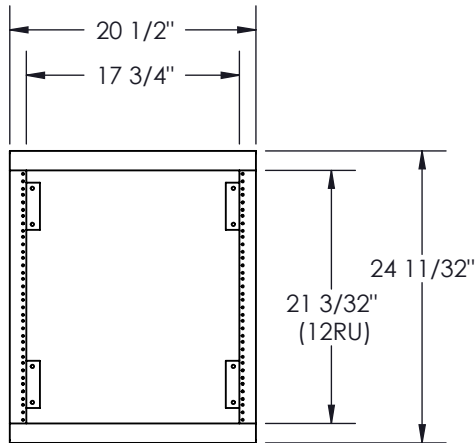
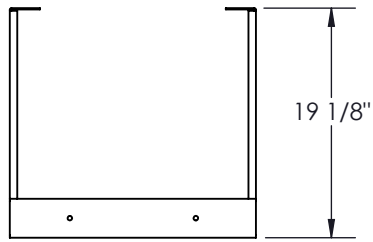



NO.	NOTE	DESCRIPTION	QTY
1	1305029684	FRAME (19 x 21)	1
2	1646 - 16"	TOP SUPPORT	2
3	1305029501 - 16"	BOTTOM SUPPORT	2



REV.	DESCRIPTION	DATE	APPR.
A	NON WELDED SUPPORTS WAS WELDED	2011-06-09	E.D.
RÉVISIONS			



PROPRIETARY AND CONFIDENTIAL
THE INFORMATION CONTAINED IN THIS DRAWING IS THE SOLE PROPERTY OF A.I.G. ELECTRON METAL INC. ANY REPRODUCTION IN PART OR AS A WHOLE WITHOUT THE WRITTEN PERMISSION OF A.I.G. ELECTRON METAL INC IS PROHIBITED.

CONFIDENTIEL
L'INFORMATION CONTENUE DANS CE DESSIN EST L'ENTIERE PROPRIÉTÉ D'ELECTRON METAL A.I.G. INC. TOUTE REPRODUCTION PARTIELLE OU EXHAUSTIVE SANS PERMISSION ÉCRITE D'ELECTRON METAL A.I.G. INC. EST INTERDITE.

DRAWN BY: E.D.		Title: WALL MOUNT RACK (19 x 21) x 16			
CHECKED BY: E.D.					
PROJECT: WallMount\Racks\Standard			FILE: RackMural19x21x16_1305023432_Eng		
PART NO.:	DRAWING NO.:	REV.:	SCALE:	DATE:	SHEET:
WMRFIX-191216	1305023432	A	1:16	2006-06-14	1 / 1