



Main

Range of product	Modicon Quantum automation platform
Product or component type	VAC discrete input modules
Software name	ProWORX 32 Unity Pro Concept
Discrete input number	32

Complementary

Group of channels	4
Addressing requirement	2 input words
Discrete input voltage	48 V AC
Input current	11.7 mA 57...63 Hz 9.8 mA 47...53 Hz
Voltage state 1 guaranteed	29...56 V AC 57...63 Hz 34...56 V AC 47...53 Hz
Voltage state 0 guaranteed	0...10 V AC 57...63 Hz 0...10 V AC 47...53 Hz
Input impedance	5600 Ohm capacitive 57...63 Hz 6800 Ohm capacitive 47...53 Hz
Network frequency limits	47...63 Hz
Maximum leakage current	1.7 mA
Absolute maximum input	100 V 1 cycle 56 V continuous 63 V 10 s
Response time	4.9...0.75 ms x line cycle Off-On 7.3...12.3 ms On-Off
Isolation between group	1780 Vrms for 1 minute
Isolation between group and bus	1780 Vrms for 1 minute
Bus current requirement	250 mA
Maximum power dissipation in W	10.9 W
Local signalling	Bus communication is present (Active) 1 LED green) External fault detected (F) 1 LED red) Input status 32 LEDs green)
Marking	CE
Module format	Standard
Net Weight	0.66 lb(US) (0.3 kg)

Environment

Protective treatment	Conformal coating Humiseal 1A33
Standards	CSA C22.2 No 142 UL 508
Product certifications	CUL FM Class 1 Division 2
Resistance to electrostatic discharge	4 kV contact IEC 801-2 8 kV on air IEC 801-2
Resistance to electromagnetic fields	9.14 V/m (10 V/m) 80...2000 MHz IEC 801-3

Ambient air temperature for operation	32...140 °F (0...60 °C)
Ambient air temperature for storage	-40...185 °F (-40...85 °C)
Relative humidity	95 % without condensation
Operating altitude	<= 16404.2 ft (5000 m)

Ordering and shipping details

Category	18155-QUANTUM I/O & POWER SUPPLIES
Discount Schedule	PC21
GTIN	03595861135857
Nbr. of units in pkg.	1
Package weight(Lbs)	16.75 oz (475 g)
Returnability	No
Country of origin	FR

Packing Units

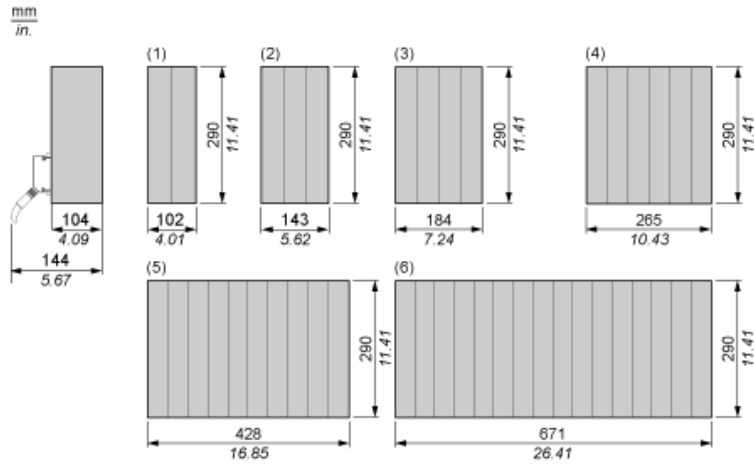
Unit Type of Package 1	PCE
Package 1 Height	1.97 in (5 cm)
Package 1 width	6.50 in (16.5 cm)
Package 1 Length	12.40 in (31.5 cm)
Unit Type of Package 2	S02
Number of Units in Package 2	2
Package 2 Weight	33.51 oz (950 g)
Package 2 Height	5.91 in (15 cm)
Package 2 width	11.81 in (30 cm)
Package 2 Length	15.75 in (40 cm)

Contractual warranty

Warranty	18 months
----------	-----------

Racks for Modules Mounting

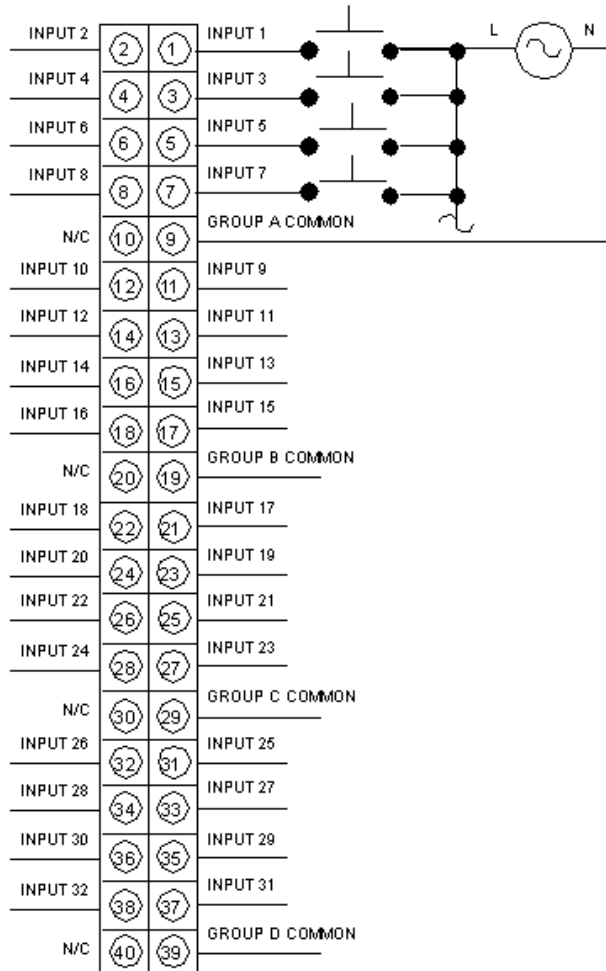
Dimensions of Modules and Racks



- (1) 2 slots
- (2) 3 slots
- (3) 4 slots
- (4) 6 slots
- (5) 10 slots
- (6) 16 slots

48 Vac Discrete Input Module

Wiring Diagram



N/C Not Connected