



Main

| | |
|---------------------------|------------------------------|
| Range compatibility | Lexium 32i |
| Product or component type | Servo motor with power stage |
| Device short name | BMI |

Complementary

| | |
|---------------------------|--|
| Maximum mechanical speed | 8000 rpm |
| [Us] rated supply voltage | 208...480 V - 15...10 % |
| Supply voltage limits | 208...480 V |
| Phase | Three phase |
| Supply frequency | 50/60 Hz - 5...5 % |
| Network frequency limits | 47.5...63 Hz |
| EMC filter | Integrated |
| Continuous output current | 2 A 8 kHz |
| Output current 3s peak | 6 A 400 V 3 s |
| Continuous stall current | 2 A |
| Continuous stall torque | 30.09 lbf.in (3.4 N.m) 208...480 V three phase |
| Peak stall torque | 76.12 Lbf.in (8.6 N.m) 208 V three phase 76.12 Lbf.in (8.6 N.m) 400 V three phase 76.12 lbf.in (8.6 N.m) 480 V three phase |
| Nominal output power | 900 W 400 V three phase 900 W 480 V three phase 450 W 208 V three phase |
| Nominal torque | 25.67 Lbf.in (2.9 N.m) 208 V three phase 23.90 Lbf.in (2.7 N.m) 400 V three phase 20.36 lbf.in (2.3 N.m) 480 V three phase |
| Nominal speed | 3300 rpm 400 V three phase 1600 rpm 208 V three phase 3900 rpm 480 V three phase |
| Maximum current Irms | 12.5 A 400 V, three phase 12.5 A 480 V, three phase 12.5 A 208 V, three phase |
| Product compatibility | Drive control unit LXM32i CANopen Drive control unit LXM32i EtherCAT |
| Shaft end | Keyed |
| Second shaft | Without second shaft end |
| Shaft diameter | 0.55 in (14 mm) |
| Shaft length | 1.18 in (30 mm) |
| Key width | 0.20 in (5 mm) |
| Feedback type | Absolute single turn SinCos Hiperface |
| Speed feedback resolution | 131072 points/turn |
| Holding brake | With |
| Holding torque | 26.55 lbf.in (3 N.m) holding brake |

| | |
|---------------------------------------|--|
| Mounting support | International standard flange |
| Motor flange size | 2.76 in (70 mm) |
| Electrical connection | Printed circuit board connector |
| Torque constant | 1.41 N.m/A 68 °F (20 °C) |
| Back emf constant | 95.39 V/krpm 68 °F (20 °C) |
| Number of motor poles | 10 |
| Rotor inertia | 1.78 kg.cm ² |
| Stator resistance | 7.99 Ohm 68 °F (20 °C) |
| Stator inductance | 25.6 mH 68 °F (20 °C) |
| Stator electrical time constant | 3.2 ms 68 °F (20 °C) |
| Maximum radial force Fr | 730 N 1000 rpm 580 N 2000 rpm 510 N 3000 rpm 460 N 4000 rpm 430 N 5000 rpm 400 N 6000 rpm |
| Maximum axial force Fa | 0.2 x Fr |
| Brake pull-in power | 5 W |
| Type of cooling | Natural convection |
| Length | 13.35 in (339 mm) |
| Number of motor stacks | 3 |
| Centring collar diameter | 2.36 in (60 mm) |
| Centring collar depth | 0.10 in (2.5 mm) |
| Number of mounting holes | 4 |
| Mounting holes diameter | 0.22 in (5.5 mm) |
| Circle diameter of the mounting holes | 2.95...3.23 in (75...82 mm) |
| Distance shaft shoulder-flange | 0.10 in (2.5 mm) |

Environment

| | |
|-------------------------|------|
| IP degree of protection | IP65 |
|-------------------------|------|

Ordering and shipping details

| | |
|-----------------------|-------------------------------------|
| Category | 18287 - LEXIUM 32 INTEGRATED DRIVES |
| Discount Schedule | PC56 |
| GTIN | 03606485376530 |
| Nbr. of units in pkg. | 1 |
| Package weight(Lbs) | 14 lb(US) (6.35 kg) |
| Returnability | No |
| Country of origin | DE |

Packing Units

| | |
|------------------------|-------------------|
| Unit Type of Package 1 | PCE |
| Package 1 Height | 9.84 in (25 cm) |
| Package 1 width | 7.32 in (18.6 cm) |
| Package 1 Length | 21.65 in (55 cm) |

Offer Sustainability

| | |
|---------------------------|---|
| Sustainable offer status | Green Premium product |
| California proposition 65 | WARNING: This product can expose you to chemicals including: Lead and lead compounds, which is known to the State of California to cause cancer and birth defects or other reproductive harm. For more information go to www.P65Warnings.ca.gov |
| REACH Regulation | REACH Declaration |
| EU RoHS Directive | Pro-active compliance (Product out of EU RoHS legal scope) EU RoHS Declaration |
| Mercury free | Yes |

| | |
|----------------------------|--|
| RoHS exemption information | Yes |
| China RoHS Regulation | China RoHS Declaration |
| Environmental Disclosure | Product Environmental Profile |
| Circularity Profile | End Of Life Information |
| WEEE | The product must be disposed on European Union markets following specific waste collection and never end up in rubbish bins. |
| PVC free | Yes |

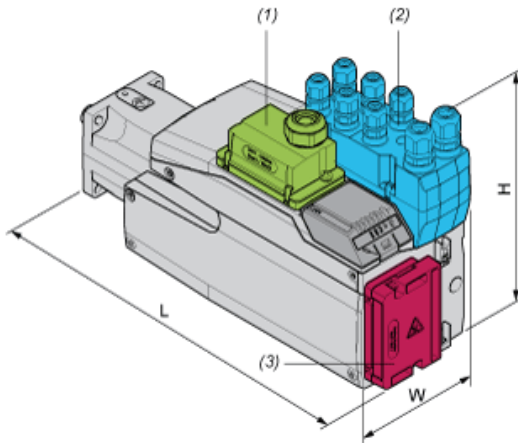
Contractual warranty

| | |
|----------|-----------|
| Warranty | 18 months |
|----------|-----------|

External Dimensions

With Standard Braking Resistor

Mounting type A



- (1) Module for supply voltage
- (2) I/O module
- (3) Standard braking resistor

Dimensions in mm

| W | H | L |
|----|-----|-----|
| 99 | 187 | 360 |

Dimensions in in.

| W | H | L |
|------|------|-------|
| 3,90 | 7,36 | 14,17 |

Mounting type B



- (1) Module for supply voltage
- (2) I/O module
- (3) Standard braking resistor

Dimensions in mm

| W | H | L |
|----|-------|-----|
| 99 | 138,5 | 409 |

Dimensions in in.

| | | |
|------|------|------|
| W | H | L |
| 3,90 | 5,45 | 16,1 |

With External Braking Resistor

Mounting type C



- (1) Module for supply voltage
- (2) I/O module
- (4) External braking resistor

Dimensions in mm

| | | |
|----|-----|-----|
| W | H | L |
| 99 | 187 | 372 |

Dimensions in in.

| | | |
|------|------|-------|
| W | H | L |
| 3,90 | 7,36 | 14,65 |

Mounting type D



- (1) Module for supply voltage
- (2) I/O module
- (4) External braking resistor

Dimensions in mm

| | | |
|----|-----|-----|
| W | H | L |
| 99 | 160 | 409 |

Dimensions in in.

| | | |
|------|-----|------|
| W | H | L |
| 3,90 | 6,3 | 16,1 |

Mounting type E



- (1) Module for supply voltage
- (2) I/O module
- (4) External braking resistor

Dimensions in mm

| W | H | L |
|----|-----|-----|
| 99 | 187 | 399 |

Dimensions in in.

| W | H | L |
|------|------|-------|
| 3,90 | 7,36 | 15,71 |

Mounting type F



- (1) Module for supply voltage
- (2) I/O module
- (4) External braking resistor

Dimensions in mm

| W | H | L |
|----|-----|-----|
| 99 | 180 | 409 |

Dimensions in in.

| W | H | L |
|------|------|------|
| 3,90 | 7,09 | 16,1 |

Performance Curves

Torque/Speed Curves with 208 V Three Phases Supply Voltage



- (X) Speed (rpm)
- (Y) Torque (N.m)
- (1) Motor peak
- (2) Drive peak
- (3) Drive cont
- (4) Motor cont
- (5) Operating point

| | | Power | At Speed | With Torque |
|-------------------------|---|--------|----------|-------------|
| max. Peak Power | ■ | 1138 W | 1360 rpm | 7.99 N.m |
| max Cont. Power (Drive) | ● | 564 W | 1840 rpm | 2.93 N.m |

Performance Curves

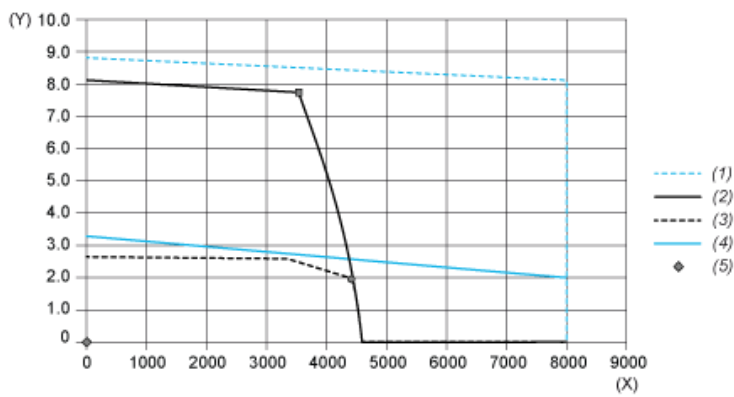
Torque/Speed Curves with 400 V Three Phases Supply Voltage



- (X) Speed (rpm)
- (Y) Torque (N.m)
- (1) Motor peak
- (2) Drive peak
- (3) Drive cont
- (4) Motor cont
- (5) Operating point

| | | Power | At Speed | With Torque |
|-------------------------|---|--------|----------|-------------|
| max. Peak Power | ■ | 2390 W | 2960 rpm | 7.71 N.m |
| max Cont. Power (Drive) | ● | 895 W | 3760 rpm | 2.27 N.m |

Torque/Speed Curves with 480 V Three Phases Supply Voltage



- (X) Speed (rpm)
- (Y) Torque (N.m)
- (1) Motor peak
- (2) Drive peak
- (3) Drive cont
- (4) Motor cont
- (5) Operating point

| | | Power | At Speed | With Torque |
|-------------------------|---|--------|----------|-------------|
| max. Peak Power | ■ | 2915 W | 3600 rpm | 7.73 N.m |
| max Cont. Power (Drive) | ● | 945 W | 4560 rpm | 1.98 N.m |