



Main

Range of Product	Modicon STB distributed I/O solution
Product or Component Type	Standard digital output kit
Kit composition	STBXBA1000 base STBXTS2100, 6-terminal spring clamp connector STBXTS1100, 6-terminal screw type connector STBDDO3230 module
Discrete output number	2
Discrete output type	Solid state
Discrete output voltage	24 V
Discrete output voltage type	DC

Complementary

Discrete output current	2000 mA
Discrete output logic	Positive or negative
Output voltage	19.2...30 V DC
Absolute maximum voltage	56 V 1.3 ms
Response Time	520 µs off-to-on 720 µs on-to-off
Cold swapping	Yes
Hot swapping	Yes for standard NIMs
Fallback	State 0 basic NIMs User configurable standard NIMs
Protection type	Power protection 1 external fuse per output time lag 2.5 A Reverse polarity protection Short-circuit protection Thermal overload protection
Insulation between channels	1500 V for 1 minute
Insulation between channels and logic bus	1500 V for 1 minute
Maximum leakage current	1 mA at state 0 30 V
Surge current	10 A 0.5 ms
Maximum load capacitance	50 µF
Maximum load inductance	500 mH 4 Hz
Minimum load	2 mA
Reset	Manual or automatic reset COM fault
Product Compatibility	Power distribution module STBPDT3100/3105 I/O base STBXBA1000
[Us] rated supply voltage	24 V DC
Supply	Power distribution module
Current consumption	45 mA 5 V DC logic bus
Marking	CE
Overvoltage category	II
Status LED	1 LED (Green) module status (RDY) 1 LED per channel (Green) channel status (OUT1 to OUT2) 1 LED (Red) module error (ERR)
Height	0.55 in (13.9 mm)
Depth	2.76 in (70 mm)
Width	5.05 in (128.3 mm)
Net Weight	0.26 lb(US) (0.116 kg)

The information provided in this documentation contains general descriptions and/or technical characteristics of the performance of the products contained herein. This documentation is not intended as a substitute for and is not to be used for determining suitability or reliability of these products for specific user applications. It is the duty of any such user or integrator to perform the appropriate and complete risk analysis, evaluation and testing of the products with respect to the relevant specific application or use thereof. Neither Schneider Electric Industries SAS nor any of its affiliates or subsidiaries shall be responsible or liable for misuse of the information contained herein.

Environment

Standards	IEC 61131-2
Product Certifications	FM Class 1 Division 2[RETURN]CSA[RETURN]JUL
Pollution degree	2 IEC 60664-1
Operating altitude	<= 6561.68 ft (2000 m)
IP degree of protection	IP20 conforming to IEC 61131-2 class 1
Ambient air temperature for operation	32...140 °F (0...60 °C) without derating)
Ambient air temperature for operation	32...140 °F without derating
Ambient air temperature for storage	-40...185 °F (-40...85 °C) without derating
Ambient air temperature for storage	-40...185 °F without derating
Relative humidity	95 % 140 °F (60 °C) without condensation
Vibration resistance	3 gn 58...150 Hz 35 x 7.5 mm symmetrical DIN rail 5 gn 58...150 Hz 35 x 15 mm symmetrical DIN rail +/-0.35 mm 10...58 Hz
Shock resistance	30 gn 11 ms IEC 88 reference 2-27

Ordering and shipping details

Category	18215-ADVANTYS STB I/O
Discount Schedule	PC32
GTIN	3595863989304
Returnability	No
Country of origin	ID

Packing Units

Unit Type of Package 1	PCE
Number of Units in Package 1	1
Package 1 Height	0.98 in (2.5 cm)
Package 1 Width	3.15 in (8 cm)
Package 1 Length	5.12 in (13 cm)
Package 1 Weight	4.80 oz (136 g)
Unit Type of Package 2	S02
Number of Units in Package 2	28
Package 2 Height	5.91 in (15 cm)
Package 2 Width	11.81 in (30 cm)
Package 2 Length	15.75 in (40 cm)
Package 2 Weight	9.09 lb(US) (4.123 kg)

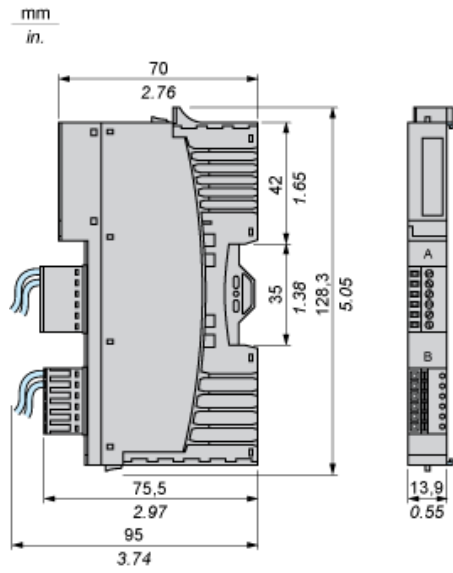
Offer Sustainability

California proposition 65	WARNING: This product can expose you to chemicals including: Lead and lead compounds, which is known to the State of California to cause cancer and birth defects or other reproductive harm. For more information go to www.P65Warnings.ca.gov
REACH Regulation	REACH Declaration
EU RoHS Directive	Pro-active compliance (Product out of EU RoHS legal scope)
Mercury free	Yes
China RoHS Regulation	China RoHS Declaration
RoHS exemption information	Yes
WEEE	The product must be disposed on European Union markets following specific waste collection and never end up in rubbish bins.

Contractual warranty

Warranty	18 months
----------	-----------

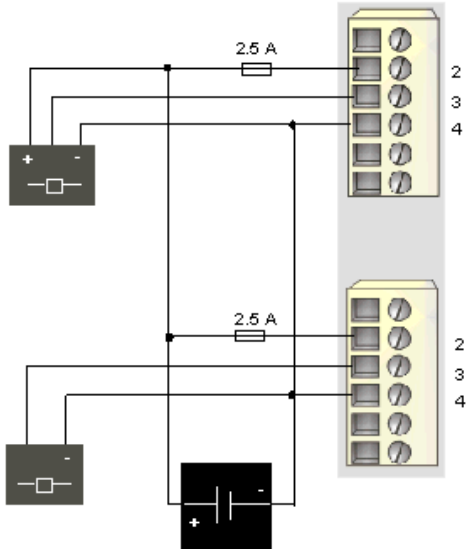
Dimensions



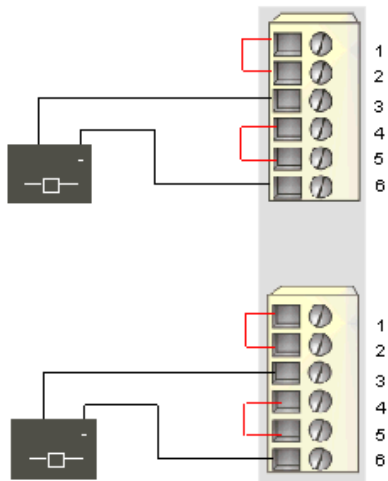
Wiring Diagrams

Examples

1 three-wire actuator and 1 two-wire actuator with external 24 VDC power supply



2 two-wire actuators powered via the PDM



Pin	Top Connector	Bottom Connector
1	+24 VDC actuator bus power	+24 VDC actuator bus power
2	independent power supply in	independent power supply in
3	output to actuator 1	output to actuator 2
4	independent power supply return	independent power supply return
5	field power return (to the module)	field power return (to the module)
6	field power return (to the module)	field power return (to the module)