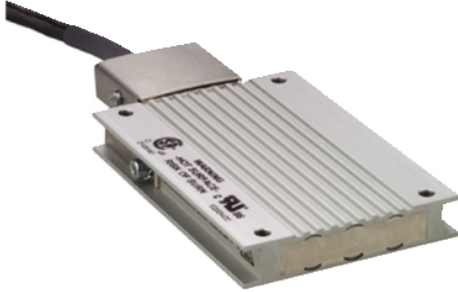


VW3A7608R30

braking resistor - 100 Ohm - 100 W - cable 3 m
- IP65



Main

| | |
|---------------------------|--|
| Range of Product | Lexium Altivar |
| Range Compatibility | Lexium 52 Lexium 15 Altivar Machine ATV320 Lexium 32i Lexium 32 Altivar 32 Easy Altivar 310L Easy Lexium 16 |
| Product compatibility | ATV32H018M2 ATV32H037M2 ATV32H037N4 ATV32H055M2 ATV32H055N4 ATV32H075M2 ATV32H075N4 ATV32HU11N4 ATV32HU15N4 ATV32HU22N4 Variable speed drive ATV320 0.18 kW, 200...240 V, single phase Variable speed drive ATV320 0.37 kW, 200...240 V, single phase Variable speed drive ATV320 0.55 kW, 200...240 V, single phase Variable speed drive ATV320 0.75 kW, 200...240 V, single phase Variable speed drive ATV320 0.37 kW, 380...500 V, three phase Variable speed drive ATV320 0.55 kW, 380...500 V, three phase Variable speed drive ATV320 0.75 kW, 380...500 V, three phase Variable speed drive ATV320 1.1 kW, 380...500 V, three phase Variable speed drive ATV320 1.5 kW, 380...500 V, three phase Variable speed drive ATV320 2.2 kW, 380...500 V, three phase Variable speed drive ATV320 0.75 kW, 525...600 V, three phase Variable speed drive ATV320 1.5 kW, 525...600 V, three phase Variable speed drive ATV320 2.2 kW, 525...600 V, three phase Variable speed drive ATV310L 0.75 kW Variable speed drive ATV310L 1.5 kW Variable speed drive ATV310L 2.2 kW Variable speed drive ATV310L 3.0 kW Variable speed drive ATV310L 4.0 kW Variable speed drive ATV310L 5.5 kW Motion servo drive LXM16D 0.1 kW, 200...230 V, single phase Motion servo drive LXM16D 0.2 kW, 200...230 V, single phase Motion servo drive LXM16D 0.4 kW, 200...230 V, single phase Motion servo drive LXM16D 0.75 kW, 200...230 V, single phase Motion servo drive LXM16D 1 kW, 200...230 V, single phase Motion servo drive LXM16D 1.5 kW, 200...230 V, single phase |
| Product or Component Type | Braking resistor |
| Ohmic value | 100 Ohm |

The information provided in this documentation contains general descriptions and/or technical characteristics of the performance of the products contained herein. This documentation is not intended as a substitute for and is not to be used for determining suitability or reliability of these products for specific user applications. It is the duty of any such user or integrator to perform the appropriate and complete risk analysis, evaluation and testing of the products with respect to the relevant specific application or use thereof. Neither Schneider Electric Industries SAS nor any of its affiliates or subsidiaries shall be responsible or liable for misuse of the information contained herein.

Complementary

| | |
|-------------------------|--|
| Energy peak | 2700 J 480 V 3000 J 400 V 4500 J 230 V 4400 J 115 V |
| Average power available | 25 W 122 °F (50 °C) |
| Continuous power | 100 W |
| Protection Type | Thermal protection via the servo drive |
| Net Weight | 1.68 lb(US) (0.76 kg) |
| Cable length | 9.84 ft (3 m) |

Environment

| | |
|---------------------------------------|----------------------------|
| IP Degree of Protection | IP65 |
| Ambient Air Temperature for Storage | -13...185 °F (-25...85 °C) |
| Ambient Air Temperature for Operation | 32...122 °F (0...50 °C) |

Ordering and shipping details

| | |
|-------------------|-----------------------------|
| Category | 18263-LEXIUM 32 ACCESSORIES |
| Discount Schedule | PC51 |
| GTIN | 3389119210713 |
| Returnability | No |
| Country of origin | DE |

Packing Units

| | |
|------------------------------|-------------------------|
| Unit Type of Package 1 | PCE |
| Number of Units in Package 1 | 1 |
| Package 1 Height | 1.73 in (4.4 cm) |
| Package 1 Width | 5.12 in (13.0 cm) |
| Package 1 Length | 15.59 in (39.6 cm) |
| Package 1 Weight | 30.93 oz (877.0 g) |
| Unit Type of Package 2 | S04 |
| Number of Units in Package 2 | 10 |
| Package 2 Height | 11.81 in (30.0 cm) |
| Package 2 Width | 15.75 in (40.0 cm) |
| Package 2 Length | 23.62 in (60.0 cm) |
| Package 2 Weight | 21.19 lb(US) (9.613 kg) |

Offer Sustainability

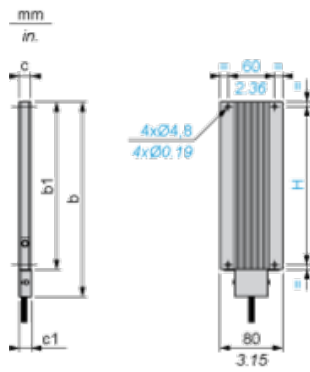
| | |
|----------------------------|---|
| California proposition 65 | WARNING: This product can expose you to chemicals including: Lead and lead compounds, which is known to the State of California to cause cancer and birth defects or other reproductive harm. For more information go to www.P65Warnings.ca.gov |
| REACH Regulation |  REACH Declaration |
| REACH free of SVHC | Yes |
| EU RoHS Directive | Pro-active compliance (Product out of EU RoHS legal scope) |
| Mercury free | Yes |
| China RoHS Regulation |  China RoHS Declaration |
| RoHS exemption information |  Yes |
| PVC free | Yes |

Contractual warranty

| | |
|----------|-----------|
| Warranty | 18 months |
|----------|-----------|

Braking Resistor

Dimensions



Dimensions in mm

| b | b1 | c | c1 | H |
|-----|-----|----|------|----|
| 145 | 110 | 15 | 15.5 | 98 |

Dimensions in in.

| b | b1 | c | c1 | H |
|------|------|------|------|------|
| 5.70 | 4.33 | 0.59 | 0.61 | 3.85 |