



## Main

|                           |  |
|---------------------------|--|
| Range of Product          | Lexium integrated drive                    |
| Product or Component Type | Motion integrated drive                    |
| Device short name         | ILS  |
| Motor Type                | 3-phase stepper motor                      |
| Number of motor poles     | 6  |
| Phase                     | Single phase                               |
| [Us] rated supply voltage | 36 V<br>24 V                               |
| Network type              | DC   |
| Communication interface   | Pulse/direction 24 V, Integrated           |
| Length                    | 5.54 in (140.6 mm)                         |
| Winding type              | Medium speed of rotation and medium torque |
| Electrical Connection     | Printed circuit board connector            |
| Holding brake             | Without                                    |
| Gear box type             | Without                                    |
| Nominal speed             | 200 rpm 24 V<br>400 rpm 36 V               |
| Nominal torque            | 17.70 lbf.in (2 N.m)                       |
| Holding torque            | 17.70 lbf.in (2 N.m)                       |

## Complementary

|                                       |   |
|---------------------------------------|---|
| Mounting Support                      | Flange                                      |
| Motor flange size                     | 3.35 in (85 mm)                             |
| Number of motor stacks                | 1   |
| Centring collar diameter              | 2.36 in (60 mm)                             |
| Centring collar depth                 | 0.08 in (2 mm)                              |
| Number of mounting holes              | 4   |
| Mounting holes diameter               | 0.26 in (6.5 mm)                            |
| Circle diameter of the mounting holes | 3.90 in (99 mm)                             |
| Feedback type                         | Index pulse                                 |
| Shaft end                             | Untapped                                    |
| Second shaft                          | Without second shaft end                    |
| Shaft diameter                        | 0.47 in (12 mm)                             |
| Shaft length                          | 1.18 in (30 mm)                             |
| Supply voltage limits                 | 18...40 V                                   |
| Current consumption                   | 5000 mA maximum continuous                  |
| Associated fuse rating                | 10 A  |
| Input/output type                     | 4 signals (each be used as input or output) |
| Voltage state 0 guaranteed            | -3...4.5 V                                  |
| Voltage state 1 guaranteed            | 15...30 V                                   |
| Discrete input current                | 10 mA at 24 V safety input                  |
| Discrete output voltage               | 23...25 V                                   |
| Maximum switching current             | 100 MA per output<br>200 mA total           |

|                           |  |
|---------------------------|--|
| Protection Type           | Overload of output voltage<br>Short circuit of the output voltage<br>Safe torque off                         |
| Peak stall torque         | 17.70 lbf.in (2 N.m)   |
| Continuous stall torque   | 17.70 lbf.in (2 N.m)   |
| Speed feedback resolution | 1.8°, 0.9°, 0.72°, 0.36°, 0.18°, 0.09°, 0.072°, 0.036°<br>200, 400, 500, 1000, 2000, 4000, 5000, 10000 steps |
| Accuracy error            | +/- 6 arc min  |
| Rotor inertia             | 1.1 kg.cm <sup>2</sup>   |
| Maximum mechanical speed  | 2000 rpm   |
| Maximum radial force Fr   | 100 N  |
| Maximum axial force Fa    | 170 N tensile force)<br>30 N force pressure)   |
| Service life in hours     | 20000 h bearing  |
| Marking                   | CE   |
| Type of cooling           | Natural convection   |
| Net Weight                | 5.73 lb(US) (2.6 kg)   |

## Environment

|   |   |
|---|---|
| Standards   | EN 61800-3:2001, second environment<br>IEC 60072-1<br>EN/IEC 61800-3<br>EN 50347<br>EN/IEC 50178<br>EN 61800-3 : 2001-02<br>IEC 61800-3, Ed 2 |
| Product Certifications                                | cUL[RETURN]UL[RETURN]TÜV  |
| Ambient air temperature for operation                 | 122...149 °F (50...65 °C) with power derating of 2 % per °C)<br>32...122 °F (0...50 °C) without derating)                                     |
| Permissible ambient air temperature around the device | 221 °F (105 °C) power amplifier<br>230 °F (110 °C) motor  |
| Ambient Air Temperature for Storage                   | -13...158 °F (-25...70 °C)  |
| Operating altitude                                    | <= 3280.84 ft (1000 m) without derating   |
| Relative humidity                                     | 15...85 % without condensation  |
| Vibration resistance                                  | 20 m/s <sup>2</sup> 10...500 Hz) 10 cycles EN/IEC 60068-2-6   |
| Shock resistance                                      | 150 m/s <sup>2</sup> 1000 shocks EN/IEC 60068-2-29  |
| IP degree of protection                               | Shaft bushing IP41 EN/IEC 60034-5<br>Total except shaft bushing IP54 EN/IEC 60034-5   |

## Ordering and shipping details

|                   |                                   |
|-------------------|-----------------------------------|
| Category          | 18288-LEXIUM INTEGRATED DRIVES II |
| Discount Schedule | PC56                              |
| GTIN              | 3389119227629                     |
| Returnability     | No                                |
| Country of origin | DE                                |

## Packing Units

|                              |                      |
|------------------------------|----------------------|
| Unit Type of Package 1       | PCE                  |
| Number of Units in Package 1 | 1                    |
| Package 1 Height             | 4.13 in (10.5 cm)    |
| Package 1 Width              | 7.48 in (19.0 cm)    |
| Package 1 Length             | 15.35 in (39.0 cm)   |
| Package 1 Weight             | 6.61 lb(US) (3.0 kg) |

## Offer Sustainability

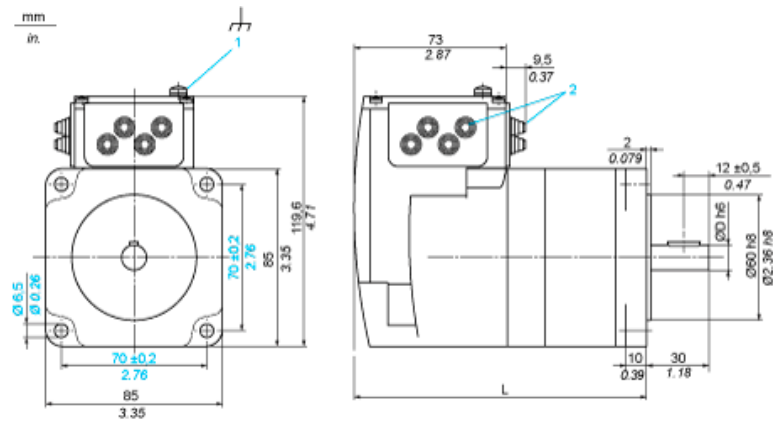
|                            |   |
|----------------------------|---|
| Sustainable offer status   | Green Premium product   |
| California proposition 65  | WARNING: This product can expose you to chemicals including: Lead and lead compounds, which is known to the State of California to cause cancer and birth defects or other reproductive harm. For more information go to <a href="http://www.P65Warnings.ca.gov">www.P65Warnings.ca.gov</a> |
| REACH Regulation           | <a href="#">REACH Declaration</a>   |
| EU RoHS Directive          | Pro-active compliance (Product out of EU RoHS legal scope)  |
| Mercury free               | Yes   |
| China RoHS Regulation      | <a href="#">China RoHS Declaration</a>  |
| RoHS exemption information | <a href="#">Yes</a>   |
| Environmental Disclosure   | <a href="#">Product Environmental Profile</a>   |
| Circularity Profile        | <a href="#">End Of Life Information</a>   |
| WEEE                       | The product must be disposed on European Union markets following specific waste collection and never end up in rubbish bins.  |
| PVC free                   | Yes   |

## Contractual warranty

|          |           |
|----------|-----------|
| Warranty | 18 months |
|----------|-----------|

Integrated Drive without Holding Brake

Dimensions



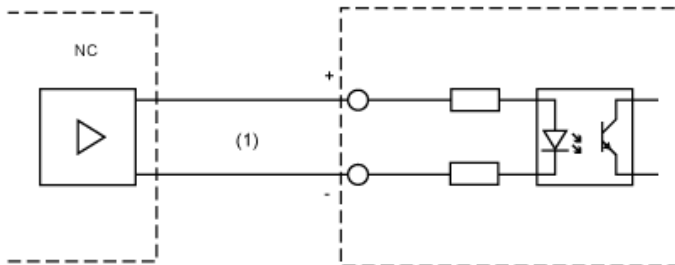
- 1 Earth (ground) terminal
- 2 Accessories: cable entries  $\varnothing = 3 \dots 9 \text{ mm}/0.12 \dots 0.35 \text{ in.}$
- L 140.6 mm/5.53 in.
- D 12 mm/0.47 in.

---

Multifunction Interface

---

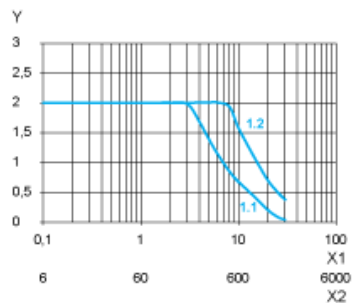
Input Wiring Diagram



(1) Opto-isolated signals

The reference pulses are supplied via two of the signal inputs, either as pulse/ direction signals or as A/B signals. The other signal inputs have the functions "power amplifier enable/pulse blocking" and "step size switching/PWM motor current control".

Torque Characteristics



- X1 Frequency in kHz
- X2 Speed of rotation in rpm
- Y Torque in Nm
- 1.1 Max. torque at 24 V
- 1.2 Max. torque at 36 V