

PLASTIC RUNNING MAN LED 120/347VAC Input



Approvals:
CSA Certified to C22.2 #141, C860

DESCRIPTION

The RPNP series of commercial or decorative plastic running man signs is designed using durable and lightweight high impact thermoplastic.

CIRCUITRY - AC & AC/DC

- LED ultra bright light source
- 120/347VAC Input, field selectable
- 2.75W power consumption single or double face
- Emergency DC wattages as follows:
6VDC = 1.42W 12VDC = 1.42W 24VDC = 1.42W

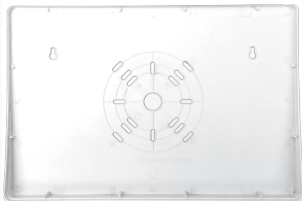
CIRCUITRY - SELF-POWERED

- LED ultra bright light source
- 120/347VAC Input, field selectable
- 4.1W at 120V and 3.6W at 347V
- Ambient temperature 10°C to 35°C
- High-performance, sealed Ni-Cad battery
- 90 Minutes emergency duration (standard)
- Solid state transfer and battery charger

MECHANICAL

- High impact, UV stabilized, thermoplastic construction
- Quick snap faceplates and universal canopy for rapid and simple installation

*Flush wall mount backplate. Use for direct wall mount (no canopy required)
Spider knock-out for wall-mount*



included on UNVDC, order separately for BAT

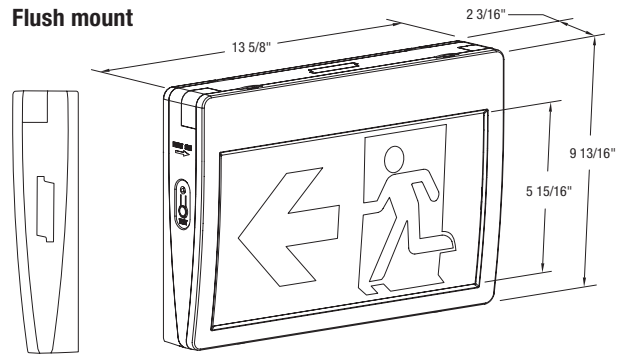
ORDER SEPARATELY - BAT ONLY

KDR-FLAT-BP

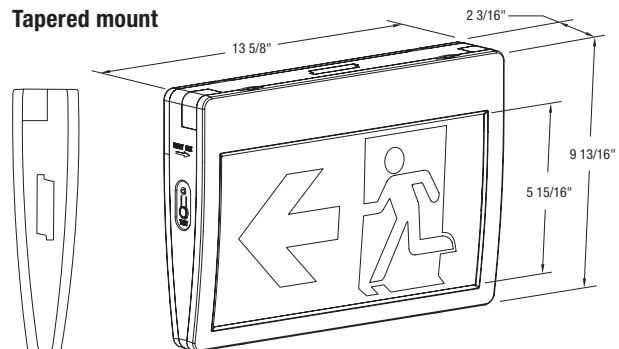


DIMENSIONS

Flush mount



Tapered mount



Universal canopy

Comes standard with three pictogram legends for direction selection.



ORDERING GUIDE

RPNP	U	WHT	—
Series	Nbr of faces - Mounting	Colour	DC Output
RPNP	U - Universal	WHT - White	UNVDC - Universal DC backup voltage from 6 to 24VDC BAT - Self-powered for 90 minutes

† For detailed options descriptions, please consult the options page.
* Specify mounting.