



Main

| | |
|------------------------------|--------------------------------------|
| Range of Product | Modicon STB distributed I/O solution |
| Product or Component Type | Basic digital output module |
| Discrete output number | 16 |
| Discrete output type | Solid state |
| Discrete output voltage | 24 V |
| Discrete output voltage type | DC |

Complementary

| | |
|---|--|
| Discrete output current | 500 mA |
| Discrete output logic | Positive |
| Output voltage | 19.2...30 V DC |
| Absolute maximum voltage | 35 V 1.3 ms |
| Response Time | 2 ms off-to-on 2 ms on-to-off |
| Cold swapping | Yes |
| Hot swapping | No for basic NIMs |
| Protection type | Power protection integrated fuse on PDM time lag 5 A Reverse polarity protection Short-circuit protection Thermal overload protection |
| Insulation between channels and logic bus | 1500 V for 1 minute |
| Maximum leakage current | 0.4 mA at state 0 30 V |
| Maximum load capacitance | 10 μ F |
| Maximum load inductance | 1000 mH 4 Hz |
| Reset | Manual reset COM fault |
| Product Compatibility | Power distribution module STBPDT3100/3105 I/O base STBXBA3000 |
| [Us] rated supply voltage | 24 V DC |
| Supply | Power distribution module |
| Current consumption | 135 mA 5 V DC logic bus |
| Marking | CE |
| Overvoltage category | II |
| Status LED | 1 LED (Green) module status (RDY) 1 LED per channel (Green) channel status (OUT1 to OUT16) |
| Height | 0.55 in (13.9 mm) |
| Depth | 2.76 in (70 mm) |
| Width | 5.05 in (128.3 mm) |
| Net Weight | 0.19 lb(US) (0.086 kg) |

Environment

| | |
|---------------------------------------|--|
| Standards | IEC 61131-2 |
| Product Certifications | UL[RETURN]CSA[RETURN]FM Class 1 Division 2 |
| Pollution degree | 2 IEC 60664-1 |
| Operating altitude | <= 6561.68 ft (2000 m) |
| IP degree of protection | IP20 conforming to IEC 61131-2 class 1 |
| Ambient air temperature for operation | 32...140 °F (0...60 °C) without derating) |
| Ambient air temperature for operation | 32...140 °F without derating |
| Ambient air temperature for storage | -40...185 °F (-40...85 °C) without derating |
| Ambient air temperature for storage | -40...185 °F without derating |
| Relative humidity | 95 % 140 °F (60 °C) without condensation |
| Vibration resistance | 3 gn 58...150 Hz 35 x 7.5 mm symmetrical DIN rail 5 gn 58...150 Hz 35 x 15 mm symmetrical DIN rail +/-0.35 mm 10...58 Hz |
| Shock resistance | 30 gn 11 ms IEC 88 reference 2-27 |

Ordering and shipping details

| | |
|-------------------|------------------------|
| Category | 18215-ADVANTYS STB I/O |
| Discount Schedule | PC32 |
| GTIN | 3595863843460 |
| Returnability | No |
| Country of origin | ID |

Packing Units

| | |
|------------------------------|-------------------------|
| Unit Type of Package 1 | PCE |
| Number of Units in Package 1 | 1 |
| Package 1 Height | 1.20 in (3.05 cm) |
| Package 1 Width | 2.60 in (6.6 cm) |
| Package 1 Length | 5.10 in (12.95 cm) |
| Package 1 Weight | 3.53 oz (100 g) |
| Unit Type of Package 2 | S02 |
| Number of Units in Package 2 | 48 |
| Package 2 Height | 5.91 in (15 cm) |
| Package 2 Width | 11.81 in (30 cm) |
| Package 2 Length | 15.75 in (40 cm) |
| Package 2 Weight | 11.73 lb(US) (5.322 kg) |
| Unit Type of Package 3 | P06 |
| Number of Units in Package 3 | 768 |
| Package 3 Height | 29.53 in (75.0 cm) |
| Package 3 Width | 23.62 in (60.0 cm) |
| Package 3 Length | 31.50 in (80.0 cm) |
| Package 3 Weight | 209.66 lb(US) (95.1 kg) |

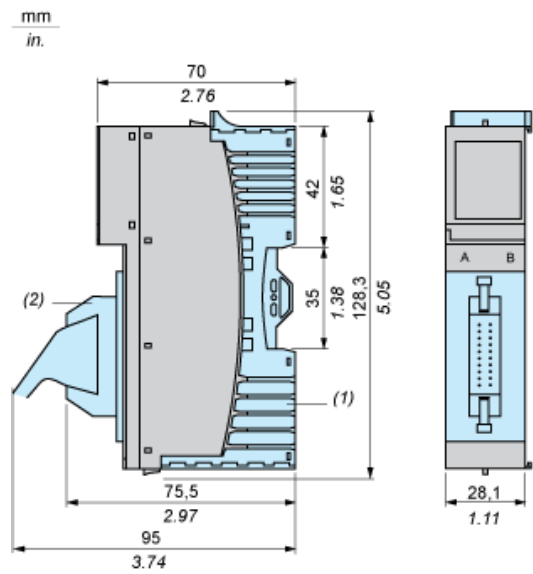
Offer Sustainability

| | |
|----------------------------|---|
| California proposition 65 | WARNING: This product can expose you to chemicals including: Lead and lead compounds, which is known to the State of California to cause cancer and birth defects or other reproductive harm. For more information go to www.P65Warnings.ca.gov |
| REACH Regulation |  REACH Declaration |
| EU RoHS Directive | Pro-active compliance (Product out of EU RoHS legal scope) |
| Mercury free | Yes |
| China RoHS Regulation |  China RoHS Declaration |
| RoHS exemption information |  Yes |
| WEEE | The product must be disposed on European Union markets following specific waste collection and never end up in rubbish bins. |

Contractual warranty

| | |
|----------|-----------|
| Warranty | 18 months |
|----------|-----------|

Dimensions

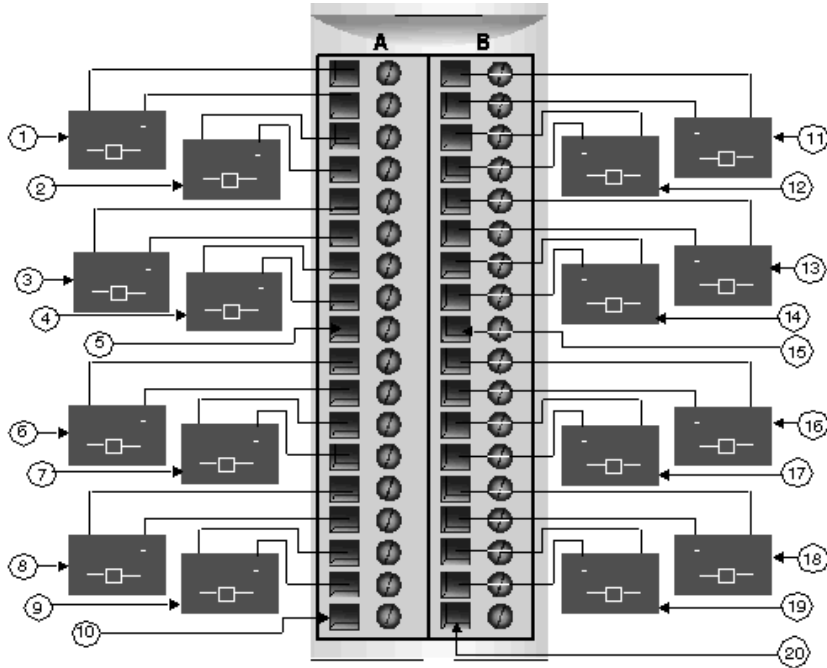


- (1) STBXBA3000 base (to be ordered separately)
- (2) STBXTS5510/5610/6510/6610 connector (to be ordered separately)

Wiring Diagram

Example

16 two-wire actuators



| # | Group 1 | # | Group 2 |
|----|----------------------------------|----|----------------------------------|
| 1 | Channel 1, Connector A, Actuator | 11 | Channel 1, Connector B, Actuator |
| 2 | Channel 2, Connector A, Actuator | 12 | Channel 2, Connector B, Actuator |
| 3 | Channel 3, Connector A, Actuator | 13 | Channel 3, Connector B, Actuator |
| 4 | Channel 4, Connector A, Actuator | 14 | Channel 4, Connector B, Actuator |
| 5 | Pin 9, Connector A (not used) | 15 | Pin 9, Connector B (not used) |
| 6 | Channel 5, Connector A, Actuator | 16 | Channel 5, Connector B, Actuator |
| 7 | Channel 6, Connector A, Actuator | 17 | Channel 6, Connector B, Actuator |
| 8 | Channel 7, Connector A, Actuator | 18 | Channel 7, Connector B, Actuator |
| 9 | Channel 8, Connector A, Actuator | 19 | Channel 8, Connector B, Actuator |
| 10 | Pin 18, Connector A (not used) | 20 | Pin 18, Connector B (not used) |