

## Main

|                           |  |
|---------------------------|--|
| Range of product          | Lexium integrated drive                  |
| Product or component type | Motion integrated drive                  |
| Device short name         | ILA                                      |
| Motor type                | Ac synchronous servo motor               |
| Number of motor poles     | 6  |
| Phase                     | Single phase                             |
| [Us] rated supply voltage | 24 V<br>48 V                             |
| Network type              | DC                                       |
| Communication interface   | Modbus TCP, Integrated                   |
| Length                    | 7.45 in (189.3 mm)                       |
| Winding type              | High speed of rotation and medium torque |
| Electrical connection     | Industrial connector                     |
| Holding brake             | Without                                  |
| Gear box type             | Without                                  |
| Nominal speed             | 5000 rpm 24 V<br>7000 rpm 48 V           |
| Nominal torque            | 2.74 lbf.in (0.31 N.m)                   |

## Complementary

|                                       |  |
|---------------------------------------|--|
| Transmission rate                     | 10, 100 Mbits  |
| Mounting support                      | Flange   |
| Motor flange size                     | 2.24 in (57 mm)  |
| Number of motor stacks                | 1  |
| Centring collar diameter              | 1.97 in (50 mm)  |
| Centring collar depth                 | 0.06 in (1.6 mm)   |
| Number of mounting holes              | 4  |
| Mounting holes diameter               | 0.20 in (5.2 mm)   |
| Circle diameter of the mounting holes | 2.62 in (66.6 mm)  |
| Feedback type                         | Multi turn encoder   |
| Shaft end                             | Untapped   |
| Second shaft                          | Without second shaft end   |
| Shaft diameter                        | 0.35 in (9 mm)   |
| Shaft length                          | 0.79 in (20 mm)  |
| Supply voltage limits                 | 18...55.2 V  |
| Current consumption                   | 11000 mA peak<br>7500 mA maximum continuous                      |
| Associated fuse rating                | 16 A   |
| Commissioning interface               | RS485 Modbus TCP 9.6, 19.2 and 38.4 kbauds)                      |
| Input/output type                     | 4 signals (each be used as input or output)                      |
| Voltage state 0 guaranteed            | -3...4.5 V   |
| Voltage state 1 guaranteed            | 15...30 V  |
| Discrete input current                | 10 MA at 24 V safety input<br>2 mA at 24 V 24 V signal interface |
| Discrete output voltage               | 23...25 V  |
| Maximum switching current             | 100 MA per output<br>200 mA total                                |

|                           |  |
|---------------------------|--|
| Protection type           | Overload of output voltage<br>Short circuit of the output voltage<br>Safe torque off |
| Peak stall torque         | 3.98 lbf.in (0.45 N.m)   |
| Continuous stall torque   | 2.74 lbf.in (0.31 N.m)   |
| Speed feedback resolution | 16384 points/turn x 4096 turns   |
| Accuracy error            | +/- 0.05 °   |
| Rotor inertia             | 0.095 kg.cm <sup>2</sup>   |
| Maximum radial force Fr   | 89 N   |
| Maximum axial force Fa    | 104 N force pressure)<br>104 N tensile force)  |
| Service life in hours     | 20000 h bearing  |
| Marking                   | CE   |
| Type of cooling           | Natural convection   |
| Net weight                | 3.09 lb(US) (1.4 kg)   |

## Environment

|   |   |
|---|---|
| Standards   | IEC 61800-3, Ed 2<br>EN/IEC 61800-3<br>IEC 60072-1<br>EN 50347<br>EN/IEC 50178<br>EN 61800-3:2001, second environment<br>EN 61800-3 : 2001-02 |
| Product certifications                                | UL<br>TÜV<br>CUL  |
| Ambient air temperature for operation                 | 104...131 °F (40...55 °C) with power derating of 2 % per °C)<br>32...104 °F (0...40 °C) without derating)                                     |
| Permissible ambient air temperature around the device | 221 °F (105 °C) power amplifier<br>230 °F (110 °C) motor  |
| Ambient air temperature for storage                   | -13...158 °F (-25...70 °C)  |
| Operating altitude                                    | <= 1000 m without derating  |
| Relative humidity                                     | 15...85 % without condensation  |
| Vibration resistance                                  | 20 m/s <sup>2</sup> 10...500 Hz) 10 cycles EN/IEC 60068-2-6   |
| Shock resistance                                      | 150 m/s <sup>2</sup> 1000 shocks EN/IEC 60068-2-29  |
| IP degree of protection                               | IP41 shaft bushing: conforming to EN/IEC 60034-5<br>Total except shaft bushing IP54 EN/IEC 60034-5  |

## Ordering and shipping details

|                       |                                     |
|-----------------------|-------------------------------------|
| Category              | 18288 - LEXIUM INTEGRATED DRIVES II |
| Discount Schedule     | PC56                                |
| GTIN                  | 03606485187938                      |
| Nbr. of units in pkg. | 1                                   |
| Package weight(Lbs)   | 3.74 lb(US) (1.70 kg)               |
| Returnability         | No                                  |
| Country of origin     | DE                                  |

## Packing Units

|                        |                    |
|------------------------|--------------------|
| Unit Type of Package 1 | PCE                |
| Package 1 Height       | 3.15 in (8 cm)     |
| Package 1 width        | 7.28 in (18.5 cm)  |
| Package 1 Length       | 13.98 in (35.5 cm) |

## Offer Sustainability

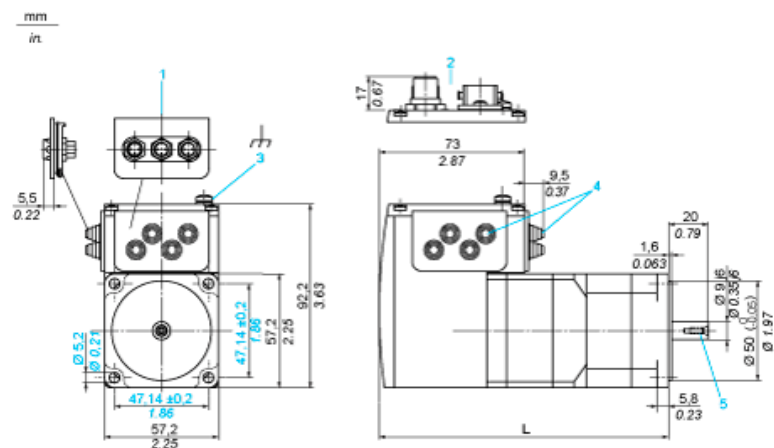
|                            |   |
|----------------------------|---|
| California proposition 65  | WARNING: This product can expose you to chemicals including: Lead and lead compounds, which is known to the State of California to cause cancer and birth defects or other reproductive harm. For more information go to <a href="http://www.P65Warnings.ca.gov">www.P65Warnings.ca.gov</a> |
| REACH Regulation           | <a href="#">REACH Declaration</a>   |
| EU RoHS Directive          | Pro-active compliance (Product out of EU RoHS legal scope) <a href="#">EU RoHS Declaration</a>  |
| Mercury free               | Yes   |
| RoHS exemption information | <a href="#">Yes</a>   |
| China RoHS Regulation      | <a href="#">China RoHS Declaration</a>  |
| WEEE                       | The product must be disposed on European Union markets following specific waste collection and never end up in rubbish bins.  |
| PVC free                   | Yes   |

## Contractual warranty

|          |           |
|----------|-----------|
| Warranty | 18 months |
|----------|-----------|

Integrated Drive without Holding Brake

Dimensions

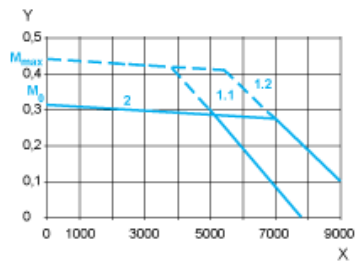


- 1 Accessories: I/O signal insert with industrial connectors
  - 2 Option: industrial connectors
  - 3 Earth (ground) terminal
  - 4 Accessories: cable entries  $\varnothing = 3 \dots 9 \text{ mm}/0.12 \dots 0.35 \text{ in.}$
  - 5 Centring hole DIN 332 - DS M3
- L : 178.8 mm/7.04 in.

## Connection Example with 4 I/O Signals



Torque Characteristics



- X Speed of rotation in rpm
- Y Torque in Nm
- 1.1 Max. torque at 24 V
- 1.2 Max. torque at 48 V
- 2 Continuous torque