



Main

Accessory / separate part category	Cabling accessory
Accessory / separate part type	Pre-wired connectors
Series name	General purpose

Complementary

Electrical connection	Elbowed female connector M12, 3 pins
Cable connector fixing	Screw-on
Collar material	Metal
Status LED	2 PNP LEDs
Cable length	6.56 ft (2 m)
Cable outer diameter	0.20 in (5.2 mm)
Cable composition	3 x 0.34 mm ²
Wire insulation material	PUR
[Ue] rated operational voltage	10...30 V DC
[In] rated current	4 A
Contact resistance	5000 µOhm
Minimum insulating resistance	1 GΩ
Net weight	0.18 lb(US) (0.08 kg)

Environment

IP degree of protection	IP67 IP69K IP65
Product certifications	CULus
Ambient air temperature for operation	-40...176 °F (-40...80 °C) static 23...176 °F (-5...80 °C) flexing
Ambient air temperature for storage	-40...176 °F (-40...80 °C)

Packing Units

Unit Type of Package 1	PCE
Number of Units in Package 1	1
Package 1 Weight	2.19 oz (62 g)
Package 1 Height	1.18 in (3 cm)
Package 1 width	9.53 in (24.2 cm)
Package 1 Length	10.67 in (27.1 cm)
Unit Type of Package 2	BAG
Number of Units in Package 2	1
Package 2 Weight	2.19 oz (62 g)
Package 2 Height	1.18 in (3 cm)
Package 2 width	9.53 in (24.2 cm)
Package 2 Length	10.67 in (27.1 cm)
Unit Type of Package 3	S02
Number of Units in Package 3	40
Package 3 Weight	6.50 lb(US) (2.95 kg)
Package 3 Height	5.91 in (15 cm)
Package 3 width	11.81 in (30 cm)
Package 3 Length	15.75 in (40 cm)

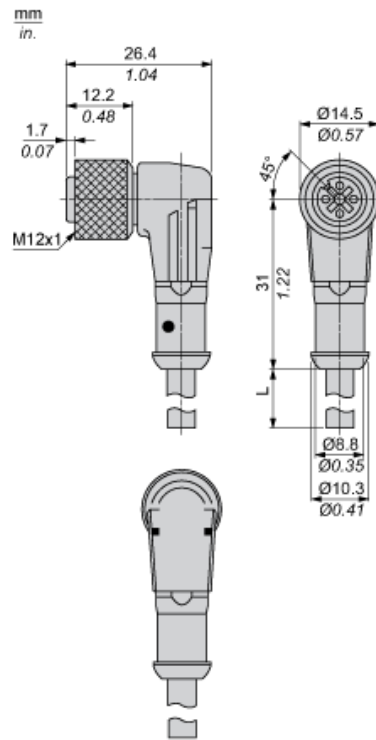
Offer Sustainability

Sustainable offer status	Green Premium product
REACH Regulation	REACH Declaration
EU RoHS Directive	Pro-active compliance (Product out of EU RoHS legal scope) EU RoHS Declaration
Mercury free	Yes
RoHS exemption information	Yes
Environmental Disclosure	Product Environmental Profile
Circularity Profile	End of Life Information

Contractual warranty

Warranty	18 months
----------	-----------

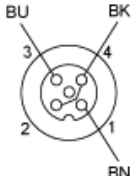
Dimensions



L : Length of cable

Connections and Schemes

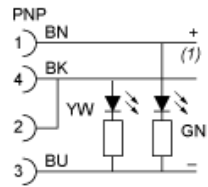
Connector



- BN : Brown
- BK : Black
- BU : Blue

Connections and Schemes

LED Connection



- BN : Brown
- BK : Black
- BU : Blue
- GN : Green
- YW : Yellow
- (1) Signal