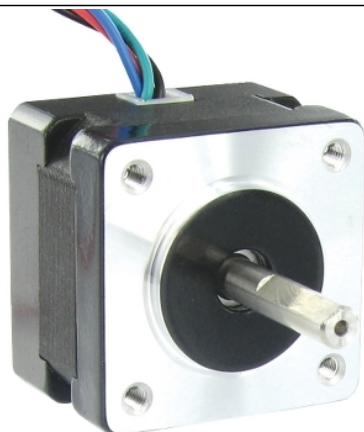


# Product data sheet

## Characteristics

# BRS2361A070

2-phase stepper motor - 0.07 N.m - shaft  $\tilde{\text{A}}\sim 5$  mm - L=26mm - without brake - 0.75A



### Main

Range Compatibility	Lexium SD2
Product or Component Type	Motion control motor
Device short name	BRS2
Motor Type	2-phase stepper motor

### Complementary

Maximum mechanical speed	2700 rpm
Supply voltage limits	12...48 V DC
Mounting Support	Flange
Motor flange size	1.39 in (35.3 mm)
Length	1.02 in (26 mm)
Number of motor stacks	1
Centring collar diameter	0.87 in (22 mm)
Centring collar depth	0.08 in (2 mm)
Number of mounting holes	4
Mounting holes diameter	0.12 in (3 mm)
Circle diameter of the mounting holes	1.45 in (36.77 mm)
Electrical Connection	Flying lead
Holding brake	Without
Shaft end	Smooth shaft
Second shaft	Without second shaft end
Shaft diameter	0.20 in (5 mm)
Shaft length	0.87 in (22 mm)
Holding torque	0.62 lbf.in (0.07 N.m)
Rotor inertia	0.012 kg.cm <sup>2</sup>
Resolution	200 steps number of full steps per revolution 1.8 ° step angle
Line Rated Current	0.75 A
Resistance	4.3 Ohm winding)

### Environment

Ambient Air Temperature for Operation	-13...104 °F (-25...40 °C)
Ambient Air Temperature for Storage	-13...158 °F (-25...70 °C)
Operating altitude	<= 3280.84 ft (1000 m) without power derating
Relative humidity	15...85 % without condensation
IP degree of protection	IP20 IEC/EN 60034-1
Temperature class	B winding IEC/EN 60034-1

## Ordering and shipping details

Category	11300-MISC. ITEMS
Discount Schedule	NET
GTIN	3606480211041
Returnability	No

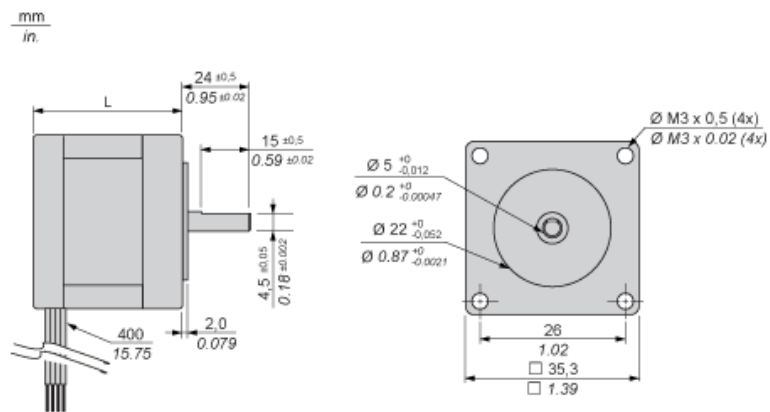
## Packing Units

Unit Type of Package 1	PCE
Number of Units in Package 1	1
Package 1 Height	7.87 in (20 cm)
Package 1 Width	10.00 in (25.4 cm)
Package 1 Length	12.80 in (32.5 cm)
Package 1 Weight	5.29 oz (150 g)
Unit Type of Package 2	CAR
Number of Units in Package 2	24
Package 2 Height	7.87 in (20 cm)
Package 2 Width	10.00 in (25.4 cm)
Package 2 Length	12.80 in (32.5 cm)
Package 2 Weight	7.98 lb(US) (3.619 kg)
Unit Type of Package 3	S06
Number of Units in Package 3	192
Package 3 Height	28.94 in (73.5 cm)
Package 3 Width	23.62 in (60 cm)
Package 3 Length	31.50 in (80 cm)
Package 3 Weight	92.49 lb(US) (41.952 kg)

## Contractual warranty

Warranty	18 months
----------	-----------

Dimensions



Dimensions in mm

L
26

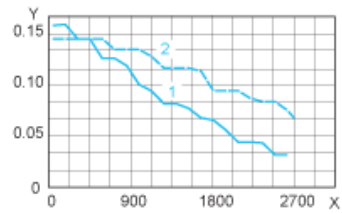
Dimensions in in.

L
1.02

---

Torque Characteristics

---



X : Speed of rotation in rpm  
Y : Torque in Nm  
1 : 24 VDC  
2 : 48 VDC