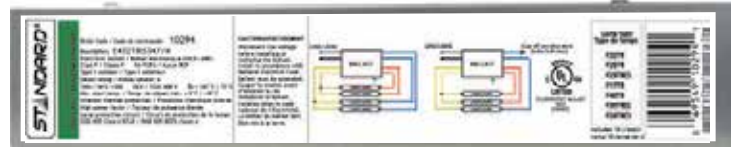


ORDERING INFORMATION

Order code: 10294
 Description: E432T8IS347/N
 UPC: 69549102941



SPECIFICATIONS

Ballast type: Electronic
Starting method: Instant Start
Lamp connection: Parallel
Input voltage (V): 347
Input frequency (Hz): 50/60
Max. case temperature: 75 °C
Thermal protection: Class P

Type: 1 Outdoor
Contains PCBs: No
Sound rating: A
Open current voltage (OCV) (V): 600
Inherent thermal protection: Yes
Lamp protection circuit: Yes
ICES-005 Compliant: Class A RFLD
Auto-restrike: Yes



Lamp type	Number of lamps	Rated lamp watts	Min. start temp. (°F / °C)	Input current (A)	Input power (ANSI watts)	Ballast factor	Max THD (%)	Power factor	Max. lamp current crest factor	B.E.F.
347 VOLTS										
F32T8 (32W)	4	32	0/-18	0.32	108	0.87	10	0.99	1.7	0.81
F32T8/ES (30W)	4	30	32/0	0.30	102	0.87	10	0.99	1.7	0.85
F32T8/ES (28W)	4	28	32/0	0.28	96	0.87	10	0.99	1.7	0.91
F32T8/ES (25W)	4	25	32/0	0.25	87	0.87	10	0.99	1.7	1.00
F25T8 (25W)	4	25	0/-18	0.24	82	0.91	10	0.99	1.7	1.11
F17T8 (17W)	4	17	0/-18	0.18	61	0.92	10	0.99	1.7	1.51
LED22T8 (22W)	4	22	0/-18	0.27	92	-	10	0.99	-	-
LED18T8 (18W)	4	18	0/-18	0.35	76	-	10	0.99	-	-
F32T8 (32W)	3	32	0/-18	0.25	92	0.97	10	0.99	1.7	1.05
F32T8/ES (30W)	3	30	32/0	0.26	84	0.97	10	0.99	1.7	1.15
F32T8/ES (28W)	3	28	32/0	0.23	79	0.97	10	0.99	1.7	1.23
F32T8/ES (25W)	3	25	32/0	0.20	70	0.97	10	0.99	1.7	1.39
F25T8 (25W)	3	25	0/-18	0.20	69	0.98	10	0.99	1.7	1.42
F17T8 (17W)	3	17	0/-18	0.15	51	1.00	15	0.99	1.7	1.96
F40T8 (40W)	3	40	32/0	0.31	107	0.87	10	0.99	1.7	0.81
LED22T8 (22W)	3	22	0/-18	0.23	77	-	10	0.99	-	-
LED18T8 (18W)	3	18	0/-18	0.29	64	-	10	0.98	-	-
LED22T8 (22W)	2	22	0/-18	0.18	62	-	10	0.98	-	-
LED18T8 (18W)	2	18	0/-18	0.23	51	-	10	0.95	-	-
LED22T8 (22W)	1	22	0/-18	0.15	47	-	10	0.98	-	-
LED18T8 (18W)	1	18	0/-18	0.16	34	-	10	0.92	-	-

WARRANTY:

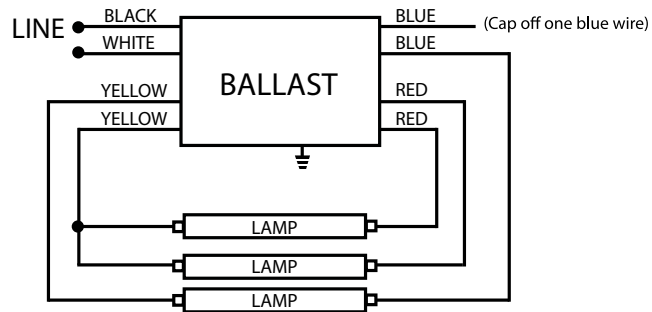
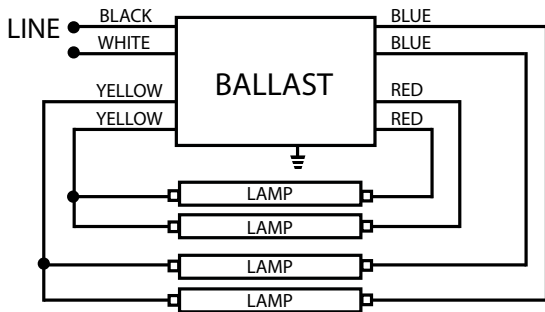
Ballast warranty of 5 years for electronic ballast 75 °C. Ballast warranty of 3 years for electronic ballast 90 °C.
 For more information visit our website.

Data is based upon tests performed in a controlled environment and representative of relative performance.
 Actual performance can vary depending on operating conditions. Specifications are subject to change without notice.
 March 9, 2015

ORDERING INFORMATION

Order code: 10294
 Description: E432T8IS347/N
 UPC: 69549102941

WIRING DIAGRAM

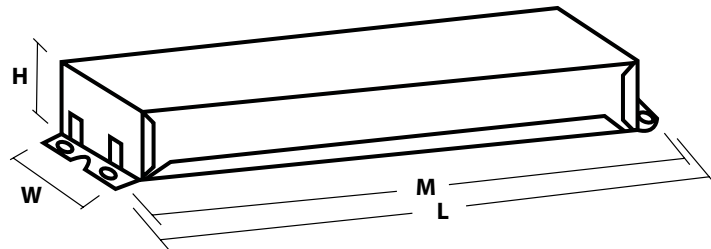


LEADS LENGTH

Black	18.0" (48.0 cm)
White	18.0" (48.0 cm)
Blue	30.9" (78.5 cm)
Red	30.9" (78.5 cm)
Yellow	46.0" (116.84 cm)

BALLAST DIMENSIONS

Length (L):	9.50" (24.1 cm)
Width (W):	1.70" (4.3 cm)
Height (H):	1.14" (2.9 cm)
Mounting (M):	8.90" (22.6 cm)



WARRANTY:

Ballast warranty of 5 years for electronic ballast 75 °C. Ballast warranty of 3 years for electronic ballast 90 °C.
 For more information visit our website.

Data is based upon tests performed in a controlled environment and representative of relative performance.
 Actual performance can vary depending on operating conditions. Specifications are subject to change without notice.
 March 9, 2015