

# Product data sheet

## Characteristics

# 9050JCK60V20

Timing Relay, Type JCK, plug In, on delay, programmable, 0.5 second to 999 hours, 10A, 240 VAC, 120 VAC/110 VDC



### Main

|                |   |
|----------------|---|
| Product range  | 9050JCK   |
| Product type   | Timer   |
| Timing mode    | On-delay  |
| Timing range   | 0.1...99.9 s<br>1...999 s<br>0.1...99.9 min<br>0.05...9.99 s<br>0.1...99.9 h<br>1...999 h |
| Supply voltage | 120 V AC  |

### Complementary

|                           |                      |
|---------------------------|----------------------|
| Power consumption         | 3 VA                 |
| Current rating            | 10 A                 |
| Switch function           | DPDT                 |
| Contact composition       | 2 NO + 2 NC          |
| Contact material          | Silver nickel        |
| Maximum switching voltage | 240 V AC             |
| Mounting type             | Socket               |
| Number of pins            | 8                    |
| Shape of pins             | Tubular              |
| For use with              | 8501NR51<br>8501NR52 |

### Environment

|   |  |
|---|--|
| Certifications                          | CE[RETURN]UL Recognized[RETURN]UL Listed |
| Ambient temperature range - operational | -18...150 °F (-28...66 °C)               |
| Height                                  | 2.36 in (60 mm)                          |
| Width                                   | 1.73 in (44 mm)                          |
| Depth                                   | 3.58 in (91 mm)                          |

### Ordering and shipping details

|                   |  |
|-------------------|--|
| Category          | 21652-9050 JCK60, 70 PROGRAMMABLE TIMERS |
| Discount Schedule | CP2                                      |
| GTIN              | 785901053866                             |
| Returnability     | Yes                                      |
| Country of origin | US                                       |

### Packing Units

|                              |                     |
|------------------------------|---------------------|
| Unit Type of Package 1       | PCE                 |
| Number of Units in Package 1 | 1                   |
| Package 1 Height             | 1.90 in (4.826 cm)  |
| Package 1 Width              | 2.60 in (6.604 cm)  |
| Package 1 Length             | 4.40 in (11.176 cm) |

|                              |                           |
|------------------------------|---------------------------|
| Package 1 Weight             | 4.80 oz (136.078 g)       |
| Unit Type of Package 2       | CAR                       |
| Number of Units in Package 2 | 20                        |
| Package 2 Height             | 4.50 in (11.43 cm)        |
| Package 2 Width              | 10.00 in (25.4 cm)        |
| Package 2 Length             | 11.00 in (27.94 cm)       |
| Package 2 Weight             | 5.50 lb(US) (2.495 kg)    |
| Unit Type of Package 3       | PAL                       |
| Number of Units in Package 3 | 600                       |
| Package 3 Height             | 40.00 in (101.6 cm)       |
| Package 3 Width              | 40.00 in (101.6 cm)       |
| Package 3 Length             | 48.00 in (121.92 cm)      |
| Package 3 Weight             | 165.00 lb(US) (74.843 kg) |

### Offer Sustainability

|                            |  |
|----------------------------|--|
| Sustainable offer status   | Green Premium product  |
| REACH Regulation           | <a href="#">REACH Declaration</a>  |
| REACH free of SVHC         | Yes  |
| EU RoHS Directive          | Pro-active compliance (Product out of EU RoHS legal scope) <a href="#">EU RoHS Declaration</a> |
| Toxic heavy metal free     | Yes  |
| Mercury free               | Yes  |
| China RoHS Regulation      | <a href="#">China RoHS Declaration</a>   |
| RoHS exemption information | <a href="#">Yes</a>  |
| Environmental Disclosure   | <a href="#">Product Environmental Profile</a>  |
| Circularity Profile        | <a href="#">End Of Life Information</a>  |

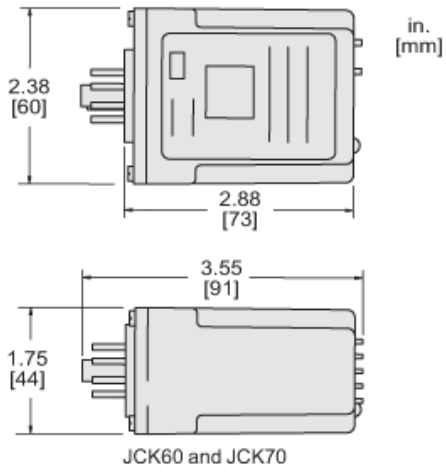
### Contractual warranty

|          |           |
|----------|-----------|
| Warranty | 18 months |
|----------|-----------|

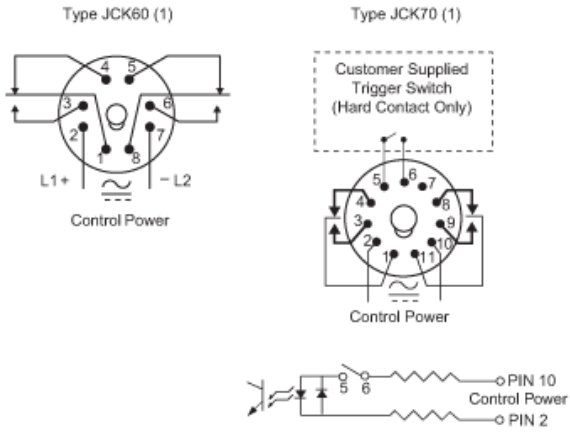
---

Approximate Dimensions

---



Connections and Wiring Diagrams



(1) Do not apply DC voltage to the 240 Vac timers (voltage code V24).