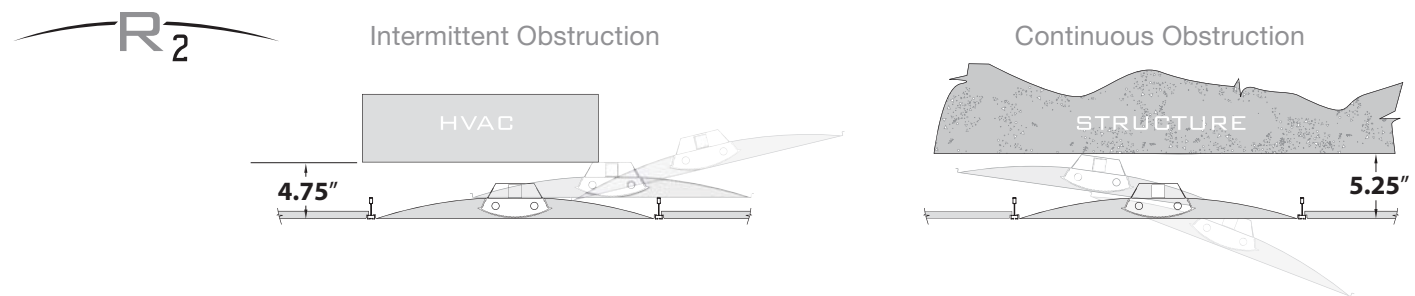
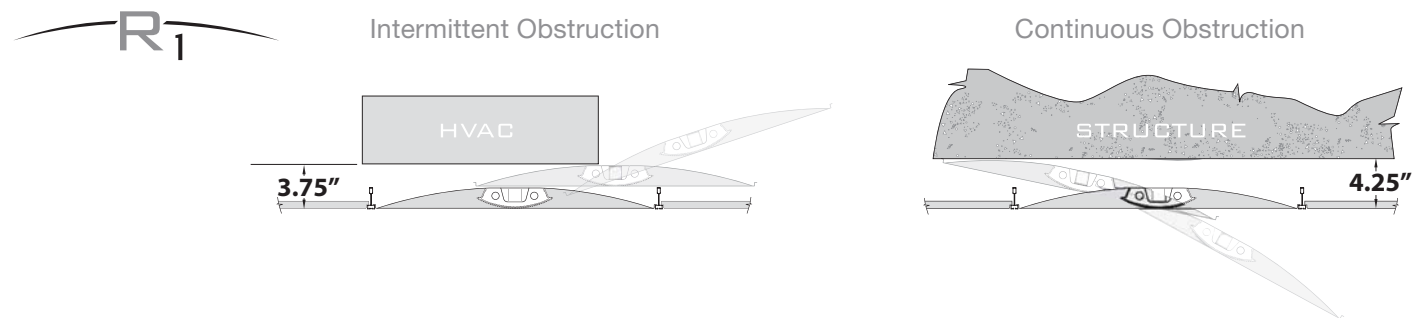


Taking on obstructions from every angle.

Lift and shift installation in less space.

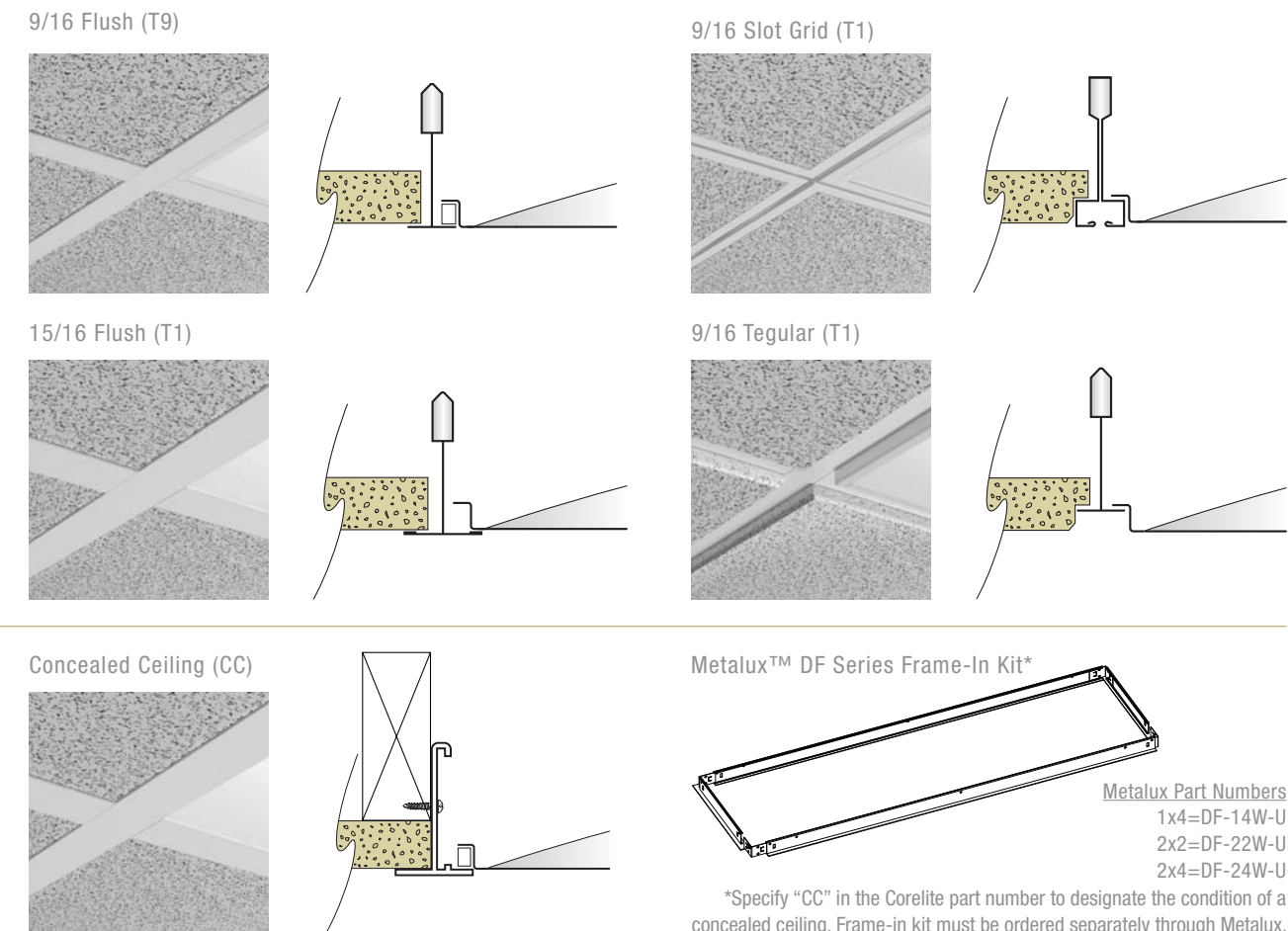
Whether installing from below the plenum, or sliding over from an adjacent grid space, the Class R's innovative "out-of-the-box" chamfered design allows for ease of installation in the tightest of spaces, and may be installed in half the space required for traditional lay-ins.



Blend in and stand out.

Class R has seamless ceiling integration covered.

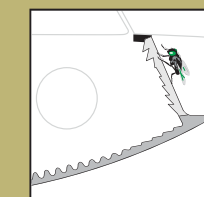
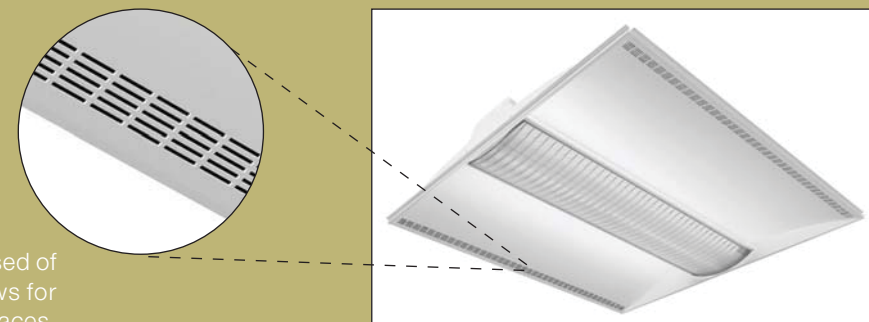
Whatever your ceiling grid style, the Class R has been uniquely engineered for precise integration with 4 standard "T" interfaces. This clean and flush finish to typical architectural ceilings and the attention to detail sets the Class R miles apart from competition.



Options

AIR RETURN (AR)

The Class R's Air Return option is comprised of a unique perforated housing, which allows for efficient airflow and reclamation in open spaces.



LENS GASKETING (LG)

The Lens Gasketing option prevents the ingress of unsightly and unsanitary dust and insects, and enables easy wipe-down cleaning ideal for sterile healthcare environments.



ANTI-MICROBIAL COATING

ANTI-MICROBIAL (AM)

The Anti-Microbial coating option thwarts the growth and dispersion of bacteria, and is beneficial in environments prone to airborne germs such as healthcare and childcare facilities.

Class R1

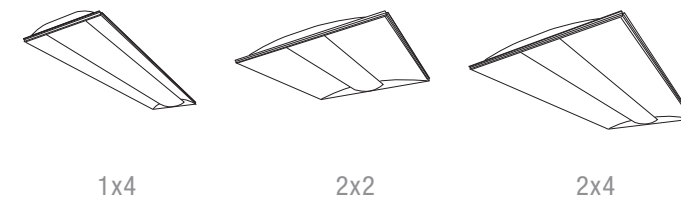
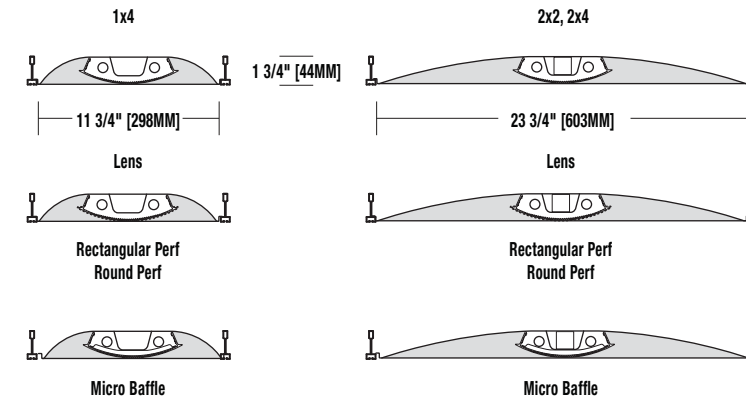
Ultra Shallow Recessed

Class R1 is the ultra shallow direct-indirect recessed luminaire designed specifically for shallow and obstructed plenum applications. The 1-3/4" installed depth allows the R1 to fit seamlessly within the height of a standard ceiling grid. Its T5 specific design and optically engineered shielding options deliver highly efficient direct-indirect illumination, creating both excellent task lighting and softly luminous vertical wall surfaces.



2x4 WITH MICRO BAFFLE (B)

- 2T5 specific design
- 1-3/4" installed depth
- 80.8% efficiency (R1-WL-2N5-22)
- Available with 4 unique shielding options
 - Installs in half the space of traditional lay-ins
 - Supports energy saving ballasts and controls



Lens (L)



Rectangular Perf (R)
Round Perf (P) Also Available

ORDERING INFORMATION:

SAMPLE NUMBER:R1-WL-2N5-1C-UNV-22-T1

Construction: Low profile housing die-formed 20 gauge cold rolled steel with integral one-piece 20 gauge gear tray. Optional welded and gasketed construction available for NY and Chicago Plenum applications. Air Return also available.

Reflectors: High reflectance white powder coat painted reflector system.

Shielding: Lens secured to housing via injection molded inserts for easy lamp access.

Lens: Linear prismatic co-extruded acrylic lens with fully frosted center and clear/frost blended lens returns.

Micro Baffle: Linear prismatic co-extruded acrylic lens with white internal micro baffle, clear center and clear/frost blended lens returns.

Perf: Linear prismatic co-extruded acrylic lens with perforated formed steel shield, fully frosted center and clear/frost blended lens returns.

Electrical: Fixtures use UL listed Class P, T5 program rapid start universal voltage electronic ballasts (High output or normal output). Power factor of 97% with less than 10% THD. Fixtures and electrical components certified to UL and CUL standards.

Finish: Fixture housings are high reflectance white using electrostatically applied polyester powder coat paint.

Mounting: Standard flange design works with most lay-in ceiling types. Integral pry-out tabs secure luminaire to ceiling grid from above. Fixture offers tie-in locations for tie-wire on all corners, consult local code for appropriate tie-wire recommendations.

Concealed Ceiling Note: Class R may be installed into inaccessible ceilings (sheet rock, wood panel, etc.). This is achieved with the Metalux DFW series drywall frame-in kit, ordered separately from Metalux. Specify "CC" for the Corelite Ceiling Type. Specify the following part numbers separately, from Metalux:

For 1x4, order Metalux part #DF-14W-U
For 2x2, order Metalux part #DF-22W-U
For 2x4, order Metalux part #DF-24W-U

Series
R1=Class R1 (1-3/4")

REFLECTOR
W=White

SHIELDING
L=Lens
B=Micro Baffle
P=Round Perf
R=Rectangular Perf

NUMBER OF LAMPS
2=2 Lamps

LAMP TYPE
N5=T5 Normal Output
T5=T5 High Output
(not recommended for use below 12')

NUMBER OF CIRCUITS*
1=1 Circuit
2=2 Circuits

WIRING*
C=Standard Circuit
B=Battery
D=Dimming / Step Dimming
E=Emergency
Y=Daylight
T=Nightlight

VOLTAGE*
120= 120V
277= 277V
347= 347V
UNV= Universal (120V-277V)

SIZE
24=2'x4'
22=2'x2'
14=1'x4'

CEILING TYPE
T1=1" Grid, Slot-Grid, 9/16" Tegular
T9=9/16" Grid
CC=Concealed Ceiling (see note)

OPTIONS
AR=Air Return
CP=Chicago Plenum
NY=New York City Construction
AM=Anti-Microbial Coating
LG=Lens Gasketing
W6=6' Whip Flex
W12=12' Whip Flex

PROJECT NAME: _____ TYPE: _____

CATALOG #: _____

*Not all options available. Please consult your Cooper Lighting Representative for availability and technical information. Specifications and dimensions subject to change without notice.

Class R2

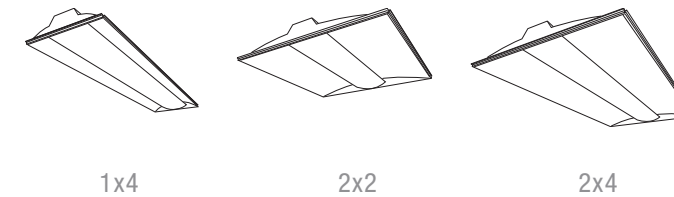
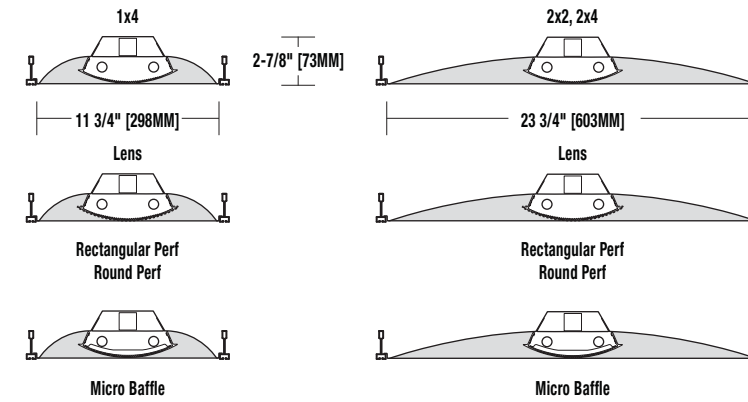
Shallow Recessed

Class R2 is a shallow recessed direct-indirect recessed luminaire designed not only for shallow plenum applications, but for ALL recessed ambient applications. The R2 delivers highly efficient illumination to meet energy code requirements, in a uniquely shallow 2-7/8" deep housing. Its T5 specific design and optically engineered shielding options deliver highly efficient direct-indirect illumination, creating both excellent task lighting and softly luminous vertical wall surfaces.



2x2 WITH LENS (L)

- 2-7/8" installed depth
- 84.2% efficiency (R2-WL-2N5-22)
- Accommodates up to 3 T5 lamps
- Available with 4 unique shielding options
- Installs in half the space of traditional lay-ins
- Supports energy saving ballasts and controls



Micro Baffle (B)



Rectangular Perf (R)
Round Perf (P) Also Available

ORDERING INFORMATION:

SAMPLE NUMBER: R2-WL-2N5-1C-UNV-22-T1

Construction: Low profile housing die-formed 20 gauge cold rolled steel with integral one-piece 20 gauge gear tray. Optional welded and gasketed construction available for NY and Chicago Plenum applications. Air Return also available.

Reflectors: High reflectance white powder coat painted reflector system.

Shielding: Lens secured to housing via injection molded inserts for easy lamp access.

Lens: Linear prismatic co-extruded acrylic lens with fully frosted center and clear/frost blended lens returns.

Micro Baffle: Linear prismatic co-extruded acrylic lens with white internal micro baffle, clear center and clear/frost blended lens returns.

Perf: Linear prismatic co-extruded acrylic lens with perforated formed steel shield, fully frosted center and clear/frost blended lens returns.

Electrical: Fixtures use UL listed Class P, T5 program rapid start universal voltage electronic ballasts (High output or normal output). Power factor of 97% with less than 10% THD. Fixtures and electrical components certified to UL and CUL standards.

Finish: Fixture housings are high reflectance white using electrostatically applied polyester powder coat paint.

Mounting: Standard flange design works with most lay-in ceiling types. Integral pry-out tabs secure luminaire to ceiling grid from above. Fixture offers tie-in locations for tie-wire on all corners, consult local code for appropriate tie-wire recommendations.

Concealed Ceiling Note: Class R may be installed into inaccessible ceilings (sheet rock, wood panel, etc.). This is achieved with the Metalux DFW series drywall frame-in kit, ordered separately from Metalux. Specify "CC" for the Corelite Ceiling Type. Specify the following part numbers separately, from Metalux:

For 1x4, order Metalux part #DF-14W-U
For 2x2, order Metalux part #DF-22W-U
For 2x4, order Metalux part #DF-24W-U

Series
R2=Class R2 (2-7/8")

REFLECTOR
W=White

SHIELDING
L=Lens
B=Micro Baffle
P=Round Perf
R=Rectangular Perf

NUMBER OF LAMPS
1=1 Lamp
2=2 Lamps
3=3 Lamps

LAMP TYPE
N5=T5 Normal Output
T5=T5 High Output
(Not recommended for use with 2 or 3 lamp configurations below 12')

NUMBER OF CIRCUITS*
1=1 Circuit
2=2 Circuits

WIRING*
C=Standard Circuit
B=Battery
D=Dimming / Step Dimming
E=Emergency
Y=Daylight
T=Nightlight

VOLTAGE*
120= 120V
277= 277V
347= 347V
UNV= Universal (120V-277V)

SIZE
24=2'x4'
22=2'x2'
14=1'x4'

CEILING TYPE
T1=1" Grid, Slot-Grid, 9/16" Tegular
T9=9/16" Grid
CC=Concealed Ceiling (see note)

OPTIONS
AR=Air Return
CP=Chicago Plenum
NY=New York City Construction
AM=Anti-Microbial Coating
LG=Lens Gasketing
W6=6' Whip Flex
W12=12' Whip Flex

PROJECT NAME: _____ TYPE: _____
CATALOG #: _____

*Not all options available. Please consult your Cooper Lighting Representative for availability and technical information. Specifications and dimensions subject to change without notice.