

ORDERING INFORMATION

Order code: 10445
 Description: ED22150-120-277-SL GLB
 UPC: 69549104457



SPECIFICATIONS

Ballast type: Electronic
 Starting method: Program Start
 Lamp connection: Series
 Input voltage (V): 120-277 V
 Input frequency (Hz): 50/60 HZ
 Max. case temperature: 90 °C
 Thermal protection: Class P
 Type: 1 Outdoor
 Contains PCBs: No
 Sound rating: A
 Open current voltage (OCV) (V): 550
 Inherent thermal protection: Yes
 Lamp protection circuit: Yes
 ICES-005 Compliant: Class A RFLD



Lamp Type:	Number of lamps	Rated lamp watts	Min. start temp. (°F / °C)	Input current (A)	Input power (ANSI watts)	Ballast factor	Max THD (%)	Power factor	Max. lamp current crest factor	B.E.F.
120 VOLTS										
PL32/TTT (32W)	2	32	-22/-30	0.57	70	0.84	10	0.99	1.7	1.20
PL26/TTT (26W)	2	26	-22/-30	0.50	59	0.93	10	0.99	1.7	1.58
PL36/TTL (36W)	2	36	-22/-30	0.52	62	0.81	10	0.99	1.7	1.31
PL24/TTL (24W)	2	24	-22/-30	0.45	54	0.88	10	0.99	1.7	1.63
2D (28W)	2	28	-22/-30	0.50	60	1.00	10	0.99	1.7	1.67
2D (21W)	2	21	-22/-30	0.39	46	1.02	10	0.99	1.7	2.22
PL42/TTT (42W)	1	42	-22/-30	0.39	46	0.88	10	0.99	1.7	1.91
PL32/TTT (32W)	1	32	-22/-30	0.29	34	0.88	10	0.99	1.7	2.59
PL50/TTL (50W)	1	50	-22/-30	0.40	48	0.80	10	0.99	1.7	1.67
PL40/TTL (40W)	1	40	-22/-30	0.36	43	1.01	10	0.99	1.7	2.35
PL36/TTL (36W)	1	36	-22/-30	0.29	34	0.83	10	0.99	1.7	2.44
FC12T5 (40W)	1	40	-22/-30	0.27	32	1.25	10	0.99	1.7	3.91
2D (28W)	1	28	-22/-30	0.27	32	1.10	10	0.99	1.7	3.44
2D (21W)	1	21	-22/-30	0.21	25	1.15	10	0.99	1.7	4.60

WARRANTY:

Ballast warranty of 5 years for electronic ballast 70-75 °C. Ballast warranty of 3 years for electronic ballast 90 °C. For more information visit our website.

Data is based upon tests performed in a controlled environment and representative of relative performance. Actual performance can vary depending on operating conditions. Specifications are subject to change without notice. March 30, 2015

ORDERING INFORMATION

Order code: 10445
 Description: ED22150-120-277-SL GLB
 UPC: 69549104457

Lamp Type:	Number of lamps	Rated lamp watts	Min. start temp. (°F / °C)	Input current (A)	Input power (ANSI watts)	Ballast factor	Max THD (%)	Power factor	Max. lamp current crest factor	B.E.F.
230 VOLTS										
PL32/TTT (32W)	2	32	-22/-30	0.31	70	0.84	10	0.99	1.7	1.20
PL26/TTT (26W)	2	26	-22/-30	0.26	59	0.93	15	0.98	1.7	1.58
PL36/TTL (36W)	2	36	-22/-30	0.27	62	0.81	15	0.98	1.7	1.31
PL24/TTL (24W)	2	24	-22/-30	0.24	54	0.88	15	0.98	1.7	1.63
2D (28W)	2	28	-22/-30	0.27	60	1.00	15	0.98	1.7	1.67
2D (21W)	2	21	-22/-30	0.21	46	1.02	15	0.98	1.7	2.22
PL42/TTT (42W)	1	42	-22/-30	0.21	46	0.88	15	0.98	1.7	1.91
PL32/TTT (32W)	1	32	-22/-30	0.15	34	0.88	15	0.97	1.7	2.59
PL50/TTL (50W)	1	50	-22/-30	0.21	48	0.80	15	0.98	1.7	1.67
PL40/TTL (40W)	1	40	-22/-30	0.19	43	1.01	15	0.98	1.7	2.35
PL36/TTL (36W)	1	36	-22/-30	0.15	34	0.83	15	0.97	1.7	2.44
FC12T5 (40W)	1	40	-22/-30	0.14	32	1.25	15	0.97	1.7	3.91
2D (28W)	1	28	-22/-30	0.14	32	1.10	15	0.97	1.7	3.44
2D (21W)	1	21	-22/-30	0.11	25	1.15	20	0.97	1.7	4.60
277 VOLTS										
PL32/TTT (32W)	2	32	-22/-30	0.25	70	0.84	10	0.99	1.7	1.20
PL26/TTT (26W)	2	26	-22/-30	0.22	59	0.93	20	0.97	1.7	1.58
PL36/TTL (36W)	2	36	-22/-30	0.23	62	0.81	15	0.98	1.7	1.31
PL24/TTL (24W)	2	24	-22/-30	0.21	54	0.88	20	0.97	1.7	1.63
2D (28W)	2	28	-22/-30	0.23	60	1.00	15	0.98	1.7	1.67
2D (21W)	2	21	-22/-30	0.18	46	1.02	20	0.97	1.7	2.22
PL42/TTT (42W)	1	42	-22/-30	0.18	46	0.88	20	0.97	1.7	1.91
PL32/TTT (32W)	1	32	-22/-30	0.13	34	0.88	30	0.95	1.7	2.59
PL50/TTL (50W)	1	50	-22/-30	0.18	48	0.80	20	0.97	1.7	1.67
PL40/TTL (40W)	1	40	-22/-30	0.17	43	1.01	30	0.96	1.7	2.35
PL36/TTL (36W)	1	36	-22/-30	0.13	34	0.83	30	0.95	1.7	2.44
FC12T5 (40W)	1	40	-22/-30	0.13	32	1.25	30	0.95	1.7	3.91
2D (28W)	1	28	-22/-30	0.13	32	1.10	30	0.95	1.7	3.44
2D (21W)	1	21	-22/-30	0.10	25	1.15	50	0.91	1.7	4.60

WARRANTY:

Ballast warranty of 5 years for electronic ballast 70-75 °C. Ballast warranty of 3 years for electronic ballast 90 °C.
 For more information visit our website.

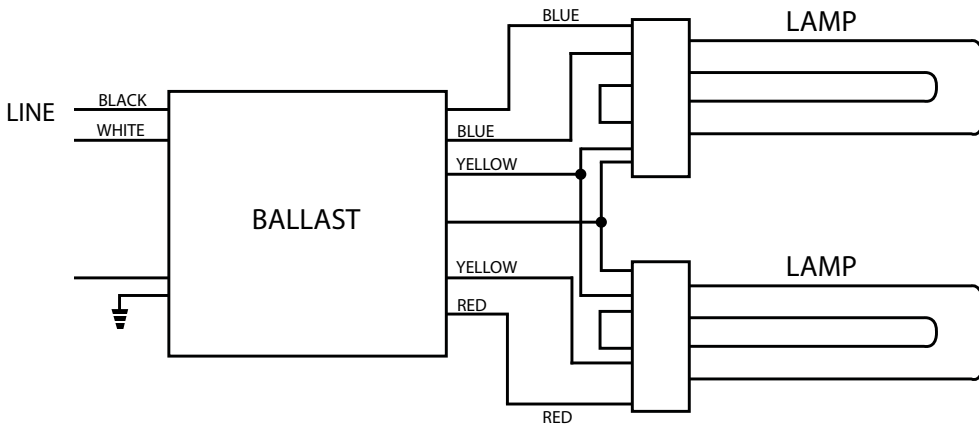
Data is based upon tests performed in a controlled environment and representative of relative performance.
 Actual performance can vary depending on operating conditions. Specifications are subject to change without notice.

March 30, 2015

ORDERING INFORMATION

Order code: 10445
 Description: ED22150-120-277-SL GLB
 UPC: 69549104457

WIRING DIAGRAM

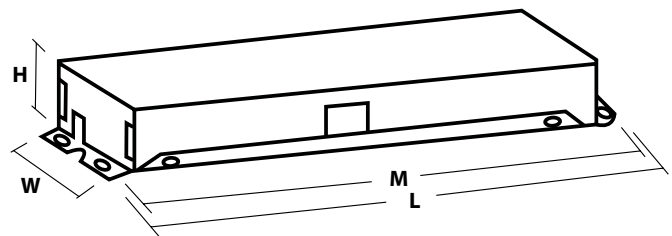


LEADS LENGTH

Black	3.14" (8 cm)
White	3.14" (8 cm)
Blue	5.11" (13 cm)
Red	5.11" (13 cm)
Yellow	5.11" (13 cm)

BALLAST DIMENSIONS

Length (L):	6.50" (16.4 cm)
Width (W):	1.93" (4.9 cm)
Height (H):	1.18" (3.0 cm)
Mounting (M):	5.90" (15.0 cm)



WARRANTY:

Ballast warranty of 5 years for electronic ballast 70-75 °C. Ballast warranty of 3 years for electronic ballast 90 °C.
 For more information visit our website.

Data is based upon tests performed in a controlled environment and representative of relative performance.
 Actual performance can vary depending on operating conditions. Specifications are subject to change without notice.
 March 30, 2015