

STRIPAX PLUS 2.5**Weidmüller Interface GmbH & Co. KG**

Klingenbergstraße 26

D-32758 Detmold

Germany

www.weidmueller.com

**Cutting, stripping and crimping tools for connected wire-end ferrules strips**

- Cutting
- Stripping
- Crimping
- Automatic feeding of wire end ferrules
- Ratchet guarantees precise crimping
- Release option in the event of incorrect operation
- Efficient: only one tool needed for cable work, and thus significant time saved
- Only strips of linked wire end ferrules, each containing 50 pieces, from Weidmüller may be processed. The use of wire end ferrules on reels may lead to destruction.

General ordering data

Version	Cutting, stripping and crimping tool, Crimping tool for wire-end ferrules, 0.5mm ² , 2.5mm ² , Trapezoidal crimp
Order No.	9020000000
Type	STRIPAX PLUS 2.5
GTIN (EAN)	4008 190067267
Qty.	1 pc(s).
Replacement parts	9050340000 2917160000

Creation date November 26, 2024 11:59:31 AM CET

Catalogue status 26.11.2024 / We reserve the right to make technical changes.

STRIPAX PLUS 2.5

Weidmüller Interface GmbH & Co. KG

Klingenbergstraße 26

D-32758 Detmold

Germany

www.weidmueller.com

Technical data

Dimensions and weights

Width	210 mm	Width (inches)	8.268 inch
Net weight	248.63 g		

Technical data

Description of article	(1)Crimping tool	Version	Mechanical, without interchangeable inserts
------------------------	------------------	---------	---

Description of contact

Conductor cross-section, max. AWG	AWG 14	Conductor cross-section, min. AWG	AWG 20
Crimping range, max.	2.5 mm ²	Crimping range, min.	0.5 mm ²
Type of contact	Strips of linked wire-end ferrules		

tool data crimping

Crimping type/profile	Trapezoidal crimp	Wire end ferrules cross-section, max.	2.5 mm ²
Wire end ferrules cross-section, min.	0.5 mm ²		

Classifications

ETIM 6.0	EC002109	ETIM 7.0	EC002109
ETIM 8.0	EC002109	ETIM 9.0	EC002109
ECLASS 9.0	21-04-37-06	ECLASS 9.1	21-04-37-06
ECLASS 10.0	21-04-37-06	ECLASS 11.0	21-04-37-06
ECLASS 12.0	21-04-37-06	ECLASS 13.0	21-04-37-06
ECLASS 14.0	21-04-37-06		

Environmental Product Compliance

RoHS Compliance Status	Not affected
REACH SVHC	Lead 7439-92-1
SCIP	2159813b-98fd-4068-b62a-bc89a046c012

Downloads

Engineering Data	CAD data – STEP
Product Change Notification	Technische Änderung für Crimpwerkzeug stripax plus 2.5 Technical change to Crimping tool Stripax plus 2.5
User Documentation	Manual
Catalogues	Catalogues in PDF-format
Brochures	

Data sheet

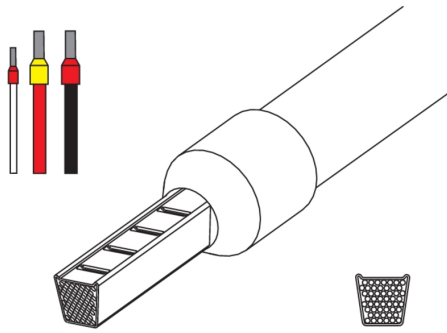
STRIPAX PLUS 2.5

Weidmüller Interface GmbH & Co. KG
Klingenbergstraße 26
D-32758 Detmold
Germany

www.weidmueller.com

Drawings

Example of use



Example of use



Example of use

