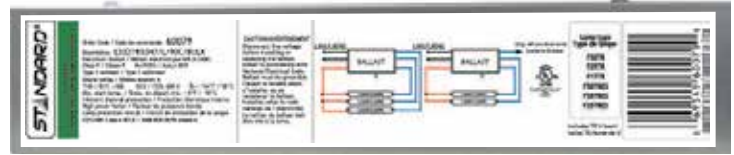


ORDERING INFORMATION

Order code: 60079
 Description: E332T8IS347/L/90C/BULK
 UPC: 69549600799



SPECIFICATIONS

Ballast type: Electronic
Starting method: Instant Start
Lamp connection: Parallel
Input voltage (V): 347
Input frequency (Hz): 60
Max. case temperature: 90 °C
Thermal protection: Class P

Type: 1 Outdoor
Contains PCBs: No
Sound rating: A
Open current voltage (OCV) (V): 600
Inherent thermal protection: Yes
Lamp protection circuit: Yes
ICES-005 Compliant: Class A RFLD
Auto-restrike: Yes



Lamp type	Number of lamps	Rated lamp watts	Min. start temp. (°F / °C)	Input current (A)	Input power (ANSI watts)	Ballast factor	Max THD (%)	Power factor	Max. lamp current crest factor	B.E.F.
347 VOLTS										
F32T8 (32W)	3	32	0/-18	0.61	73	0.77	10	0.99	1.7	1.05
F32T8/ES (30W)	3	30	60/15	0.57	68	0.77	10	0.99	1.7	1.13
F32T8/ES (28W)	3	28	60/15	0.58	69	0.77	10	0.99	1.7	1.12
F32T8/ES (25W)	3	25	60/15	0.49	58	0.77	10	0.99	1.7	1.33
F25T8 (25W)	3	25	0/-18	0.48	57	0.77	10	0.99	1.7	1.35
F17T8 (17W)	3	17	0/-18	0.34	41	0.78	10	0.99	1.7	1.90
F32T8 (32W)	2	32	0/-18	0.47	57	0.85	10	0.99	1.7	1.49
F32T8/ES (30W)	2	30	60/15	0.43	51	0.85	10	0.99	1.7	1.67
F32T8/ES (28W)	2	28	60/15	0.40	47	0.85	10	0.99	1.7	1.81
F32T8/ES (25W)	2	25	60/15	0.38	43	0.85	10	0.99	1.7	1.98
F25T8 (25W)	2	25	0/-18	0.37	44	0.86	10	0.99	1.7	1.95
F17T8 (17W)	2	17	0/-18	0.26	31	0.83	15	0.99	1.7	2.68

WARRANTY:

Ballast warranty of 5 years for electronic ballast 75 °C. Ballast warranty of 3 years for electronic ballast 90 °C. For more information visit our website.

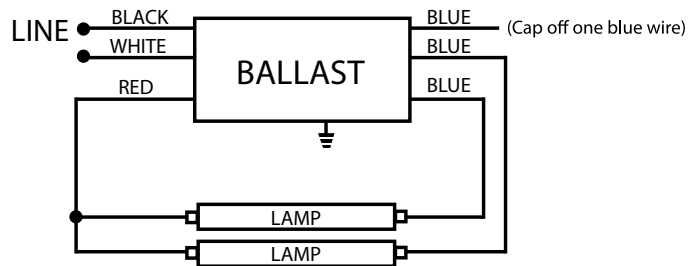
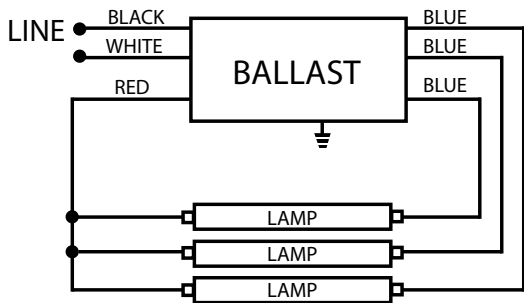
Data is based upon tests performed in a controlled environment and representative of relative performance. Actual performance can vary depending on operating conditions. Specifications are subject to change without notice. March 9, 2015



ORDERING INFORMATION

Order code: 60079
 Description: E332T8IS347/L/90C/BULK
 UPC: 69549600799

WIRING DIAGRAM

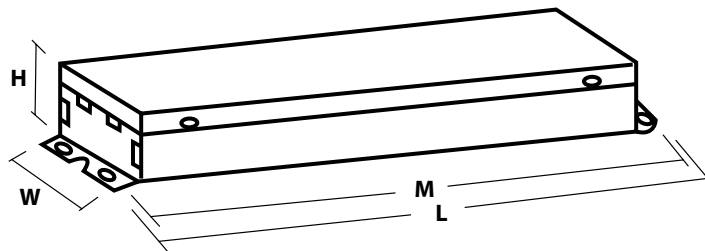


LEADS LENGTH

Black	18.0" (48.0 cm)
White	18.0" (48.0 cm)
Blue	30.9" (78.5 cm)
Red	46.0" (116.84 cm)

BALLAST DIMENSIONS

Length (L):	9.50" (24.10 cm)
Width (W):	1.70" (4.30 cm)
Height (H):	1.14" (2.90 cm)
Mounting (M):	8.90" (22.60 cm)



WARRANTY:

Ballast warranty of 5 years for electronic ballast 75 °C. Ballast warranty of 3 years for electronic ballast 90 °C.
 For more information visit our website.

Data is based upon tests performed in a controlled environment and representative of relative performance.
 Actual performance can vary depending on operating conditions. Specifications are subject to change without notice.
 March 9, 2015