
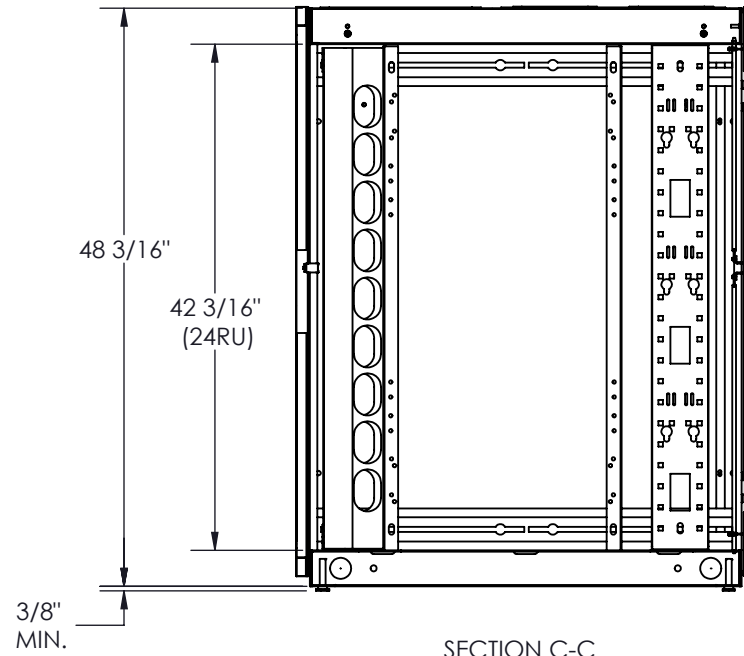
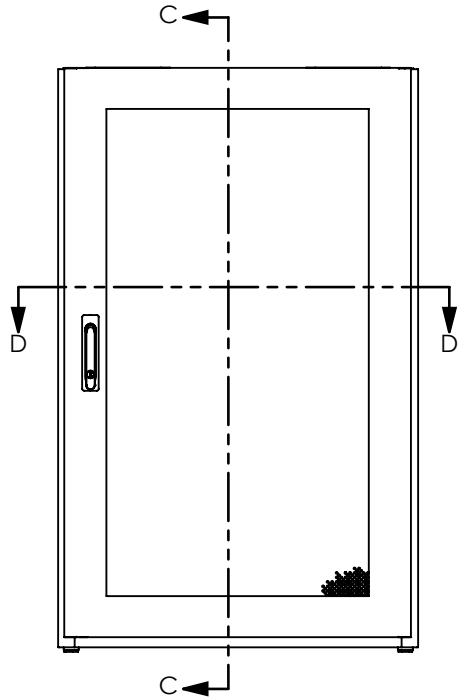


NO.	NOTE	DESCRIPTION	QTY
1	2195-002	FRAME 30 x 48 x 36 SERIES 4000	1
2	1305022704	VERTICAL CABLE MGT 3.25 x (24) x 5	2
3	1305027820	U.A.C. / V.C.M. 24RU 1 x (42) x 4.75	1
4	1305039134 - (42)	MOUNTING RAIL CAGE-NUT 5.25" FOR BRUSH	4
5	1305039067 - (27)	TOP COVER 4 FAN CUT-OUTS 6"	1
6	1305027783	6" FAN CUTOUT COVER PLATE	4
7	1305038320	TOP FRONT COVER PLATE	2
8	1305028741	PERFORATED DOOR (27 x 42)	1
9	1305028742	SPLIT DOOR PERFORATED LH (27 x 42)	1
10	1305028743	SPLIT DOOR PERFORATED RH (27 x 42)	1
11	1305028637	SIDE PANEL (42) x 36 WITH LOCKS	2
12	OHIO NUT & BOLT FH 4440	LEVELLER, STEEL BASE 1/2-13	4

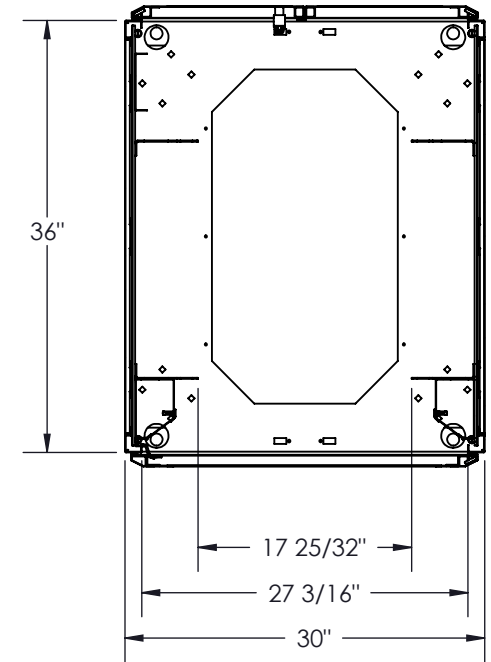
NOTES:

- 1 - MOUNTING RAIL TO HAVE RU MARKINGS.
- 2 - APPROXIMATE WEIGHT: 229 LB.
- 3 - CAPACITY: 2000 LB
- 4 - 50 CAGE-NUTS 10-32 SHIPPED LOOSE.
- 5 - 50 TRUSS HEAD SCREW 10-32 x 1/2 SHIPPED LOOSE.
- 6 - CERTIFIED TO CSA STANDARD C22.2 NO. 70950-1-07

 <p>PROUDLY MANUFACTURED IN CANADA.</p> <p>PROPRIETARY AND CONFIDENTIAL THE INFORMATION CONTAINED IN THIS DRAWING IS THE SOLE PROPERTY OF A.I.G. ELECTRON METAL INC. ANY REPRODUCTION IN PART OR AS A WHOLE WITHOUT THE WRITTEN PERMISSION OF A.I.G. ELECTRON METAL INC IS PROHIBITED.</p>	DRAWN BY: E.D.	Title: SERIES 4000 24RU (27 x 42) x 36 NET CFG				
	CHECKED BY: E.D.	PROJECT: G:\SWDwgs\Cabinets\Ser4000\EnsemblesReseau\			FILE: KitNet27x42x36_2195-001_Eng	
PART NO.: CB4KNW-272436	DRAWING NO.: 2195-001	REV.: -	SCALE: 3:64	DATE: 2018-02-18	SHEET: 1 / 2	



SECTION C-C



SECTION D-D

Electron METAL PROUDLY MANUFACTURED IN CANADA.

PROPRIETARY AND CONFIDENTIAL
 THE INFORMATION CONTAINED IN THIS DRAWING IS THE SOLE PROPERTY OF A.I.G. ELECTRON METAL INC. ANY REPRODUCTION IN PART OR AS A WHOLE WITHOUT THE WRITTEN PERMISSION OF A.I.G. ELECTRON METAL INC IS PROHIBITED.

DRAWN BY: E.D.		Title: SERIES 4000 24RU (27 x 42) x 36 NET CFG				
CHECKED BY: E.D.						
PROJECT: G:\SWDwgs\Cabinets\Ser4000\EnsemblesReseau\			FILE: KitNet27x42x36_2195-001_Eng			
PART NO.:	DRAWING NO.:	REV.:	SCALE:	DATE:	SHEET:	
CB4KNW-272436	2195-001	-	1:16	2018-02-18	2 / 2	