



Main

Range of product	Modicon Quantum automation platform
Product or component type	Low voltage dc discrete input modules
Discrete input number	32

Complementary

Group of channels	4
Logic input	Positive (sink)
Discrete input voltage	24 V DC
Input voltage limits	20...30 V
Voltage state 1 guaranteed	≥ 11 V DC
Voltage state 0 guaranteed	≤ 5 V DC
Current state 1 guaranteed	≥ 2.5 mA
Current state 0 guaranteed	≤ 1.2 mA
Addressing requirement	4 input words
Absolute maximum input	45 V during 10 ms decaying pulse
Response time	2.2 ms from state 0 to state 1 3.3 ms from state 1 to state 0
Isolation between group and bus	1780 Vrms for 1 minute
Isolation between group	500 Vrms for 1 minute
Checks	Broken wire detection
Local signalling	Bus communication is present (Active) 1 LED green) External fault detected (F) 1 LED red) Input status 32 LEDs green)
Marking	CE
Bus current requirement	250 mA
Module format	Standard
Net Weight	0.66 lb(US) (0.3 kg)

Environment

Standards	CSA C22.2 No 142 UL 508
Product certifications	FM Class 1 Division 2 C-tick ABS
Resistance to electrostatic discharge	4 kV contact IEC 801-2 8 kV on air IEC 801-2
Resistance to electromagnetic fields	9.14 V/m (10 V/m) 80...2000 MHz IEC 801-3
Ambient air temperature for operation	32...140 °F (0...60 °C)
Ambient air temperature for storage	-40...185 °F (-40...85 °C)
Relative humidity	95 % without condensation
Operating altitude	≤ 16404.2 ft (5000 m)

Ordering and shipping details

Category	18155 - QUANTUM I/O & POWER SUPPLIES
Discount Schedule	PC21
GTIN	00785901556114
Nbr. of units in pkg.	1
Package weight(Lbs)	0.92 lb(US) (0.42 kg)
Returnability	No
Country of origin	CN

Packing Units

Package 1 Height	1.97 in (50.000 mm)
Package 1 width	6.50 in (165.000 mm)
Package 1 Length	12.20 in (310.000 mm)

Offer Sustainability

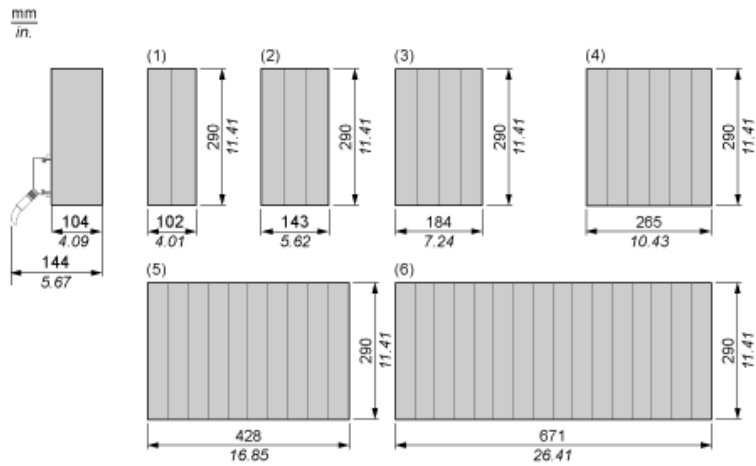
Sustainable offer status	Green Premium product
California proposition 65	WARNING: This product can expose you to chemicals including: Lead and lead compounds, which is known to the State of California to cause cancer and birth defects or other reproductive harm. For more information go to www.P65Warnings.ca.gov
REACH Regulation	REACH Declaration
REACH free of SVHC	Yes
EU RoHS Directive	Pro-active compliance (Product out of EU RoHS legal scope) EU RoHS Declaration
Mercury free	Yes
RoHS exemption information	Yes
China RoHS Regulation	China RoHS Declaration
Environmental Disclosure	Product Environmental Profile
Circularity Profile	End Of Life Information
WEEE	The product must be disposed on European Union markets following specific waste collection and never end up in rubbish bins.

Contractual warranty

Warranty	18 months
----------	-----------

Racks for Modules Mounting

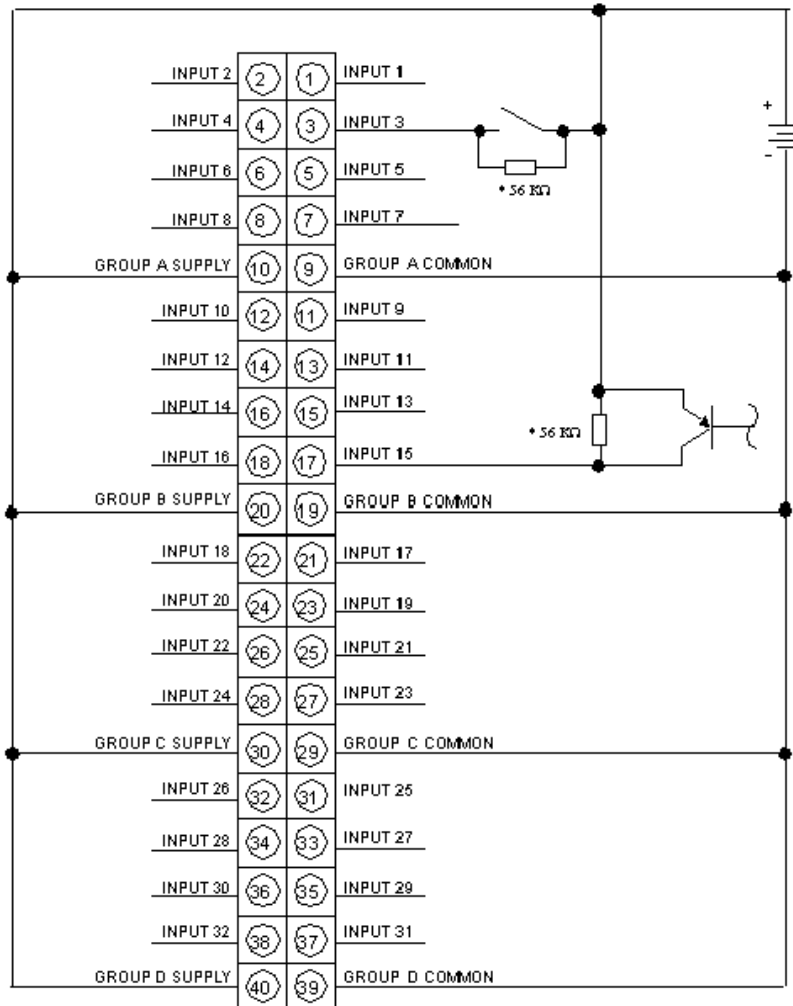
Dimensions of Modules and Racks



- (1) 2 slots
- (2) 3 slots
- (3) 4 slots
- (4) 6 slots
- (5) 10 slots
- (6) 16 slots

24 Vdc Discrete Supervised Input Module

Wiring Diagram



* Recommended resistor value for 24 Vdc.