



Main

Range of Product	Modicon M171/M172
Product or Component Type	Programmable controllers
Product Specific Application	HVAC and pumping solution
Variant	Programmable
Total inputs/outputs	27
Discrete input number	8
Discrete output number	3 relay outputs SPST with same common 2 relay outputs SPST with same common 2 relay outputs SPDT with independent common
Discrete output current	8 A relay SPDT 5 A relay SPST
Analogue input number	2 analog input NTC 4 configurable
Analogue output number	3 voltage/current 4...20 mA or 0...10 V 2 open collector 1 kHz, 12 V, 35 mA

Complementary

Number of port	1 CAN port - screw terminal block 1 USB type A - USB type A female 1 USB type mini B - USB device port Mini-B 1 RS485 - screw terminal block Modbus serial link)
Input/output number	6 analog input 5 analog output 8 digital input 7 digital output 1 high-speed counter
Discrete input logic	Sink or source (positive/negative)
Discrete input voltage	24 V AC/DC 48 V DC
Discrete input current	2.5 mA
Input impedance	20 kOhm
Analogue input type	Voltage 0...5 V ratiometric) Current 4...20 mA Impedance 0...1500 hOhm Impedance 0...300 daOhm NTC temperature probe - 50...110 °C 0.1 °C extended) Voltage 0...10 V Pt 1000 temperature probe - 200...800 °C 0.1 °C NTC temperature probe - 40...150 °C 0.1 °C
Sensor power supply	5 V DC 50 mA 12 V DC 150 mA
[Us] rated supply voltage	24 V +/- 20 % AC/DC 48 V +/- 20 % DC
Power consumption in W	5 W 24...48 V AC/DC
Realtime clock	Built-in 14...131 °F (-10...55 °C)
Display type	LCD display - 128 x 64 pixels
Overvoltage category	II
Local signalling	For programmable 1 LED (red) For programmable 1 LED (yellow) For programmable 1 LED (green)
Mounting Support	Flush mounting
Width	6.30 in (160 mm)

The information provided in this documentation contains general descriptions and/or technical characteristics of the performance of the products contained herein. This documentation is not intended as a substitute for and is not to be used for determining suitability or reliability of these products for specific user applications. It is the duty of any such user or integrator to perform the appropriate and complete risk analysis, evaluation and testing of the products with respect to the relevant specific application or use thereof. Neither Schneider Electric Industries SAS nor any of its affiliates or subsidiaries shall be responsible or liable for misuse of the information contained herein.

Height	3.78 in (96 mm)
Depth	0.39 in (10 mm)
Net Weight	0.71 lb(US) (0.32 kg)

Environment

Directives	86/188/EEC - physical agents (noise) directive 2006/95/EC - low voltage directive
Standards	IEC 60730
Product Certifications	CE[RETURN]CSA[RETURN]cURus[RETURN]EAC
Ambient air temperature for operation	14...131 °F (-10...55 °C) UL 60730-1
Ambient Air Temperature for Storage	-4...185 °F (-20...85 °C)
Relative humidity	10...90 % non-condensing
IP degree of protection	IP20
Pollution degree	2

Ordering and shipping details

Category	22537 - M171 / M172 HVAC CONTROLLERS
Discount Schedule	PC12
GTIN	3606480752834
Returnability	No
Country of origin	IT

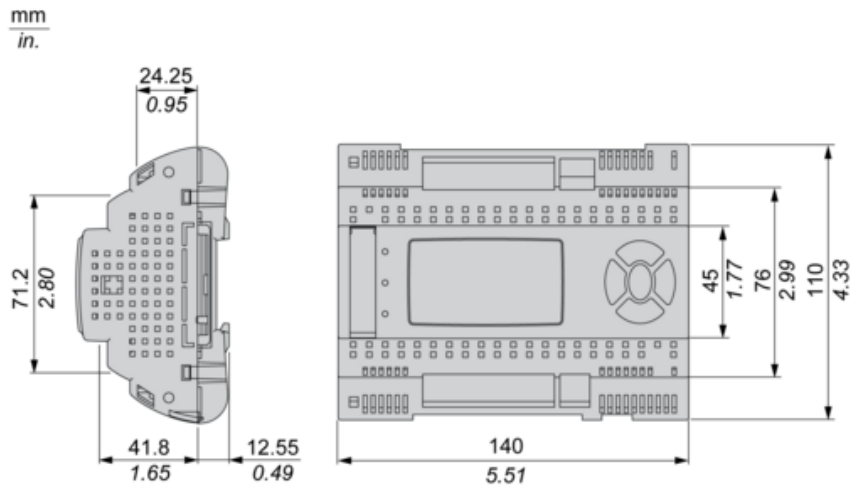
Packing Units

Unit Type of Package 1	PCE
Number of Units in Package 1	1
Package 1 Height	5.12 in (13.0 cm)
Package 1 Width	3.58 in (9.1 cm)
Package 1 Length	7.28 in (18.5 cm)
Package 1 Weight	17.81 oz (505.0 g)
Unit Type of Package 2	S02
Number of Units in Package 2	6
Package 2 Height	5.91 in (15.0 cm)
Package 2 Width	11.81 in (30.0 cm)
Package 2 Length	15.75 in (40.0 cm)
Package 2 Weight	7.52 lb(US) (3.409 kg)

Offer Sustainability

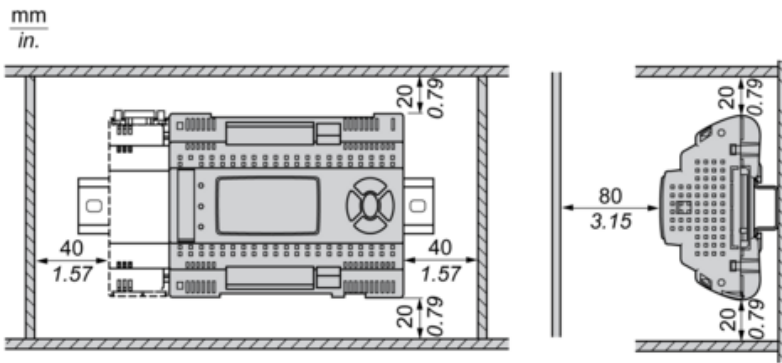
Sustainable offer status	Green Premium product
California proposition 65	WARNING: This product can expose you to chemicals including: Lead and lead compounds, which is known to the State of California to cause cancer and birth defects or other reproductive harm. For more information go to www.P65Warnings.ca.gov
REACH Regulation	REACH Declaration
EU RoHS Directive	Pro-active compliance (Product out of EU RoHS legal scope)
Mercury free	Yes
China RoHS Regulation	China RoHS Declaration
RoHS exemption information	Yes
Environmental Disclosure	Product Environmental Profile
Circularity Profile	End Of Life Information
WEEE	The product must be disposed on European Union markets following specific waste collection and never end up in rubbish bins.
Upgradeability	Upgradeable through digital modules and upgraded components

Dimensions

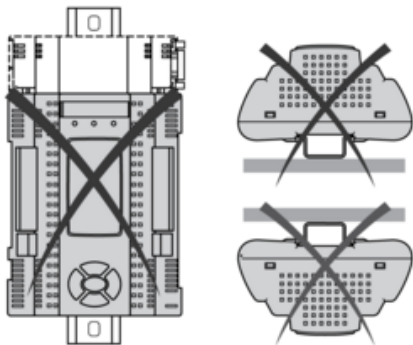


Mounting and Clearance

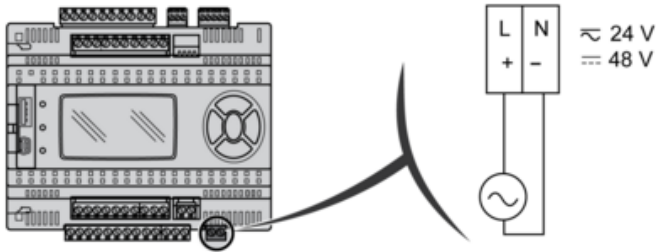
Clearance



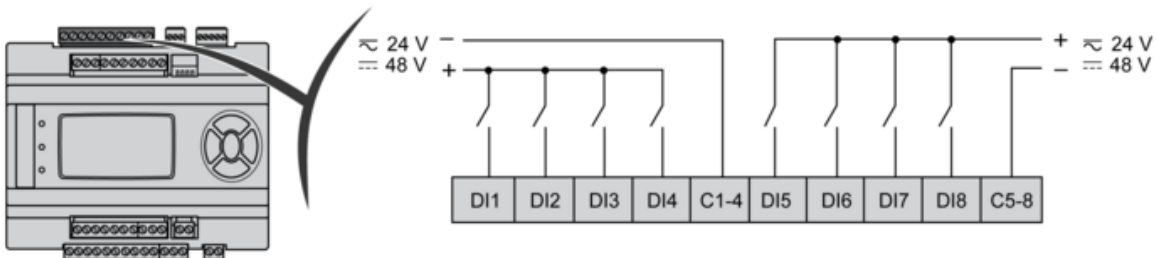
Misplacement



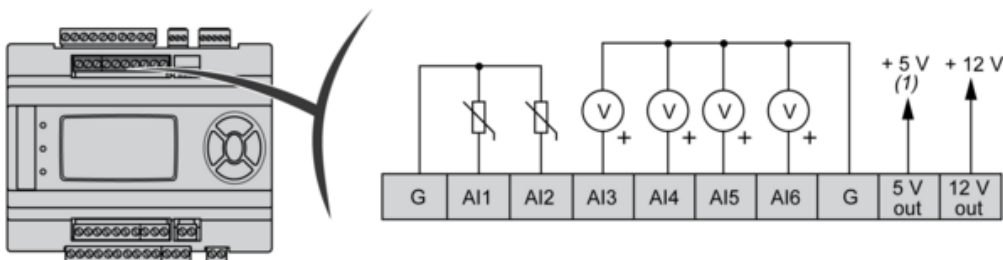
Power Supply



Digital Inputs



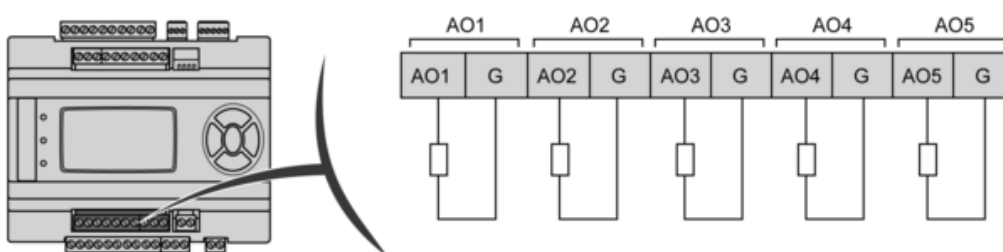
Analog Inputs



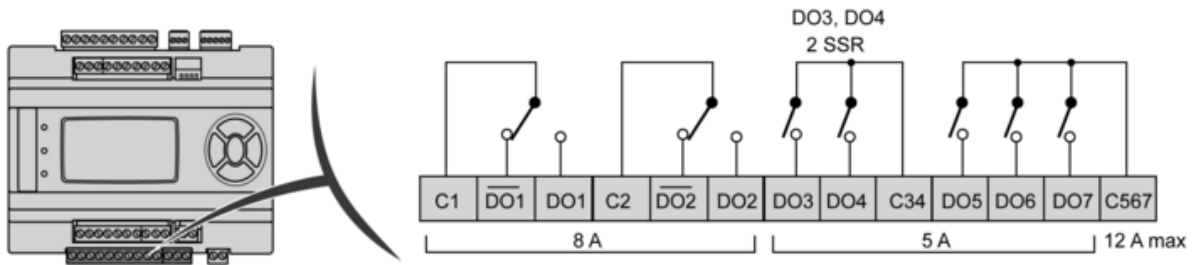
(1) Max current: 50 mA.

G : Ground

Analog Outputs

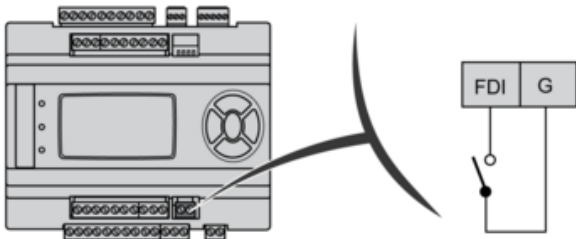


Digital Outputs

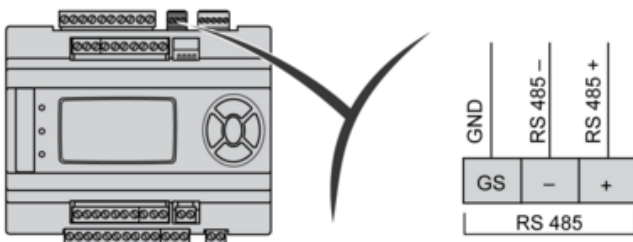


C : common

Fast Digital Input

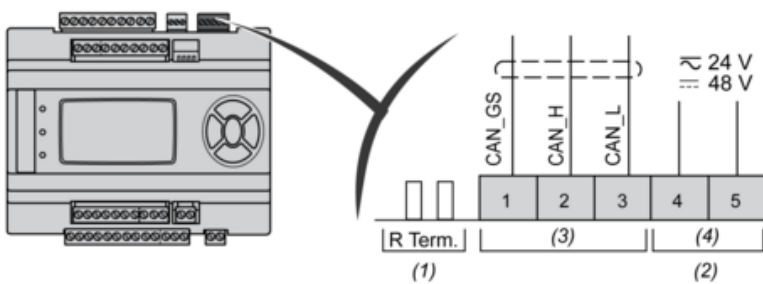


Serial Line Port (RS 485)



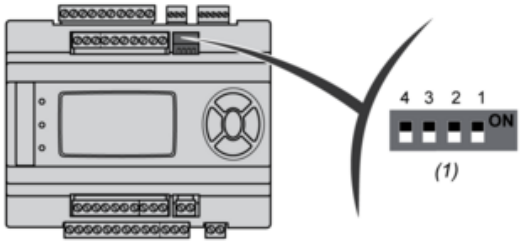
Apply 120 Ohm terminal resistance
GS serial GND isolated from G

CAN Expansion Bus



- (1) CAN terminal resistance
- (2) Output for remote keyboard
- (3) CANOPEN
- (4) Power Out

4 DipSwitches



(1) 4 DIP SWITCH
LOW Address