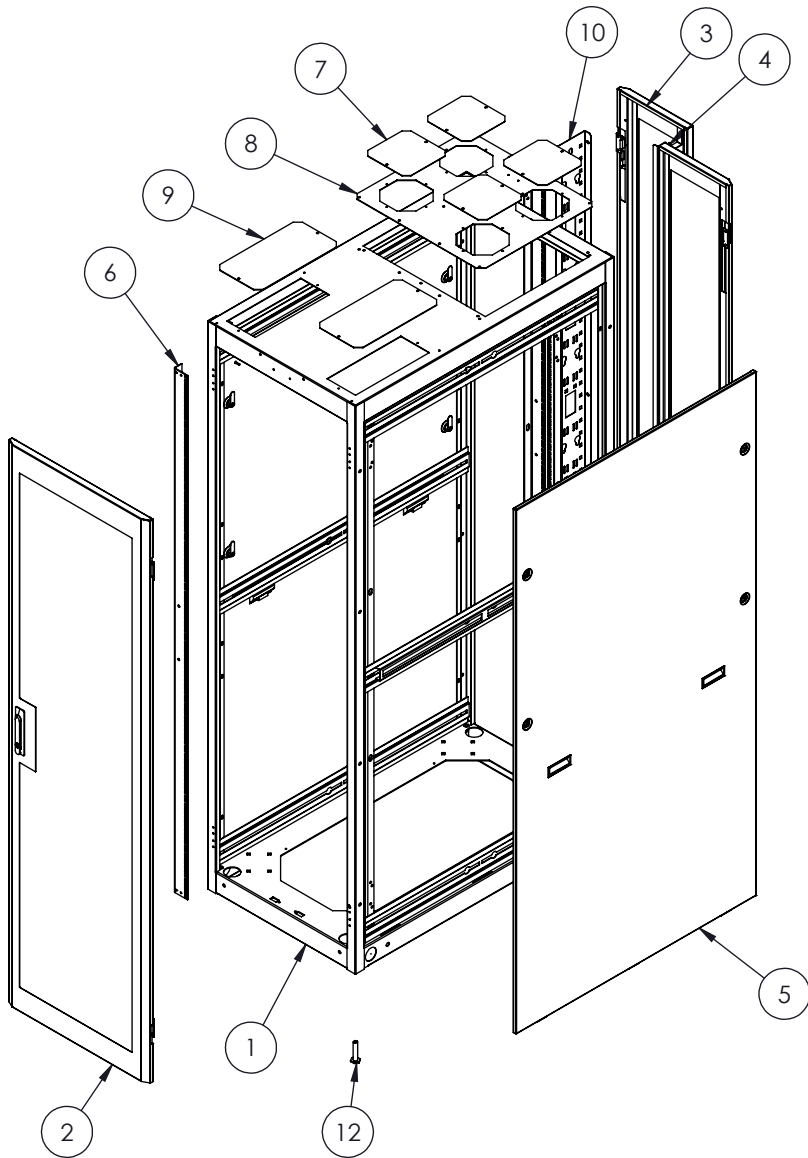



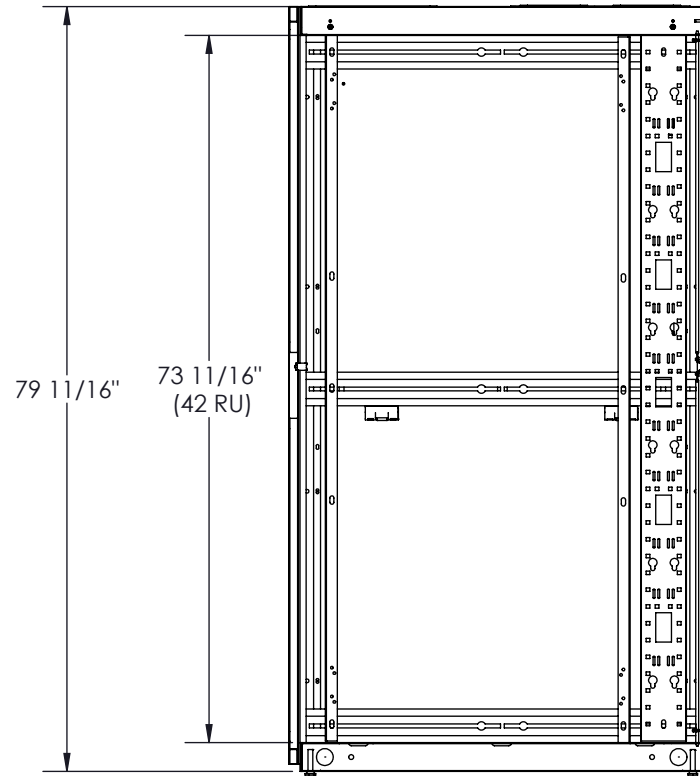
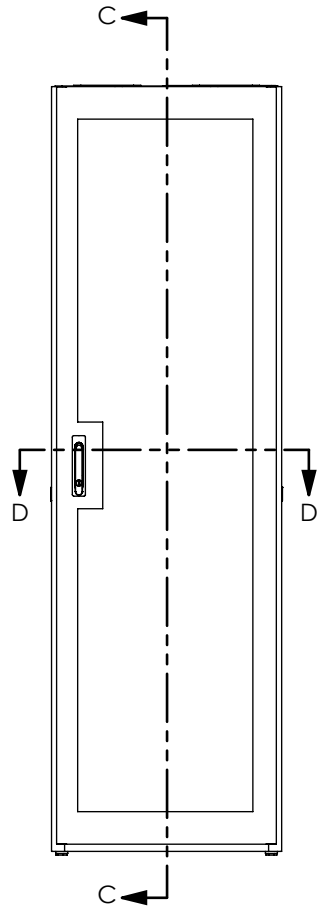
NO.	NOTE	DESCRIPTION	QTY
1	1305029246	FRAME 24 x 79.5 x 42 SERIES 4000	1
2	1305030422	PERFORATED DOOR (21 x 73.5)	1
3	1305030183	SPLIT DOOR PERFORATED RH (21 x 73.5)	1
4	1305030184	SPLIT DOOR PERFORATED LH (21 x 73.5)	1
5	1305029249	SIDE PANEL (73.5) x 42 LOCKS	2
6	1305022418 - (73.5")	MOUNTING RAIL 2.25" CAGE-NUTS	4
7	1305027783	6" FAN CUTOUT COVER PLATE	4
8	1305039067 - (21)	TOP COVER 4 FAN CUT-OUTS 6"	1
9	1305038320	TOP FRONT COVER PLATE	2
10	1305029265	VERTICAL CABLE MGT / U.A.C. CHANNEL 4.75 X (73.5)	1
11	10-32 x 1/2	FLAT HEAD C'SUNK SCREW	1
12	OHIO NUT & BOLT FH 4440	LEVELLER, STEEL BASE 1/2-13	4



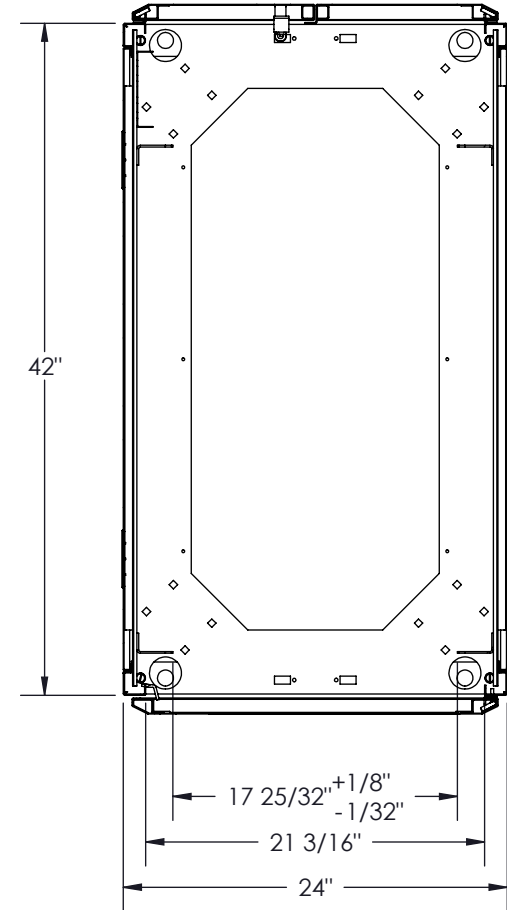
NOTES:

- 1 - MOUNTING RAIL TO HAVE RU MARKINGS.
- 2 - APPROXIMATE WEIGH: 290 LB.
- 3 - CAPACITY: 2000 LB
- 4 - 100 CAGE-NUTS 10-32 SHIPPED LOOSE.
- 5 - 100 TRUSS HEAD SCREW 10-32 x 1/2 SHIPPED LOOSE.
- 6 - CERTIFIED TO CSA STANDARD C22.2 NO. 70950-1-07

 <p><b>PROUDLY MANUFACTURED IN CANADA.</b></p> <p><b>PROPRIETARY AND CONFIDENTIAL</b> THE INFORMATION CONTAINED IN THIS DRAWING IS THE SOLE PROPERTY OF A.I.G. ELECTRON METAL INC. ANY REPRODUCTION IN PART OR AS A WHOLE WITHOUT THE WRITTEN PERMISSION OF A.I.G. ELECTRON METAL INC IS PROHIBITED.</p>	DRAWN BY: S.B.	Title: SERIES 4000 42RU (21 x 73.5) x 42 SERVER CFG				
	CHECKED BY: S.B.					
PROJECT: G:\SWDwgs\Cabinets\Ser4000\EnsemblesServeur\			FILE: Kit21x73x42_1305033212_Eng			
PART NO.: CB4KSV-214242	DRAWING NO.: 1305033212	REV.: A	SCALE: 1:22	DATE: 2013-08-27	SHEET: 1 / 2	



SECTION C-C



SECTION D-D  
SCALE 1 : 12

**Electron METAL** PROUDLY MANUFACTURED IN CANADA.

**PROPRIETARY AND CONFIDENTIAL**  
THE INFORMATION CONTAINED IN THIS DRAWING IS THE SOLE PROPERTY OF A.I.G. ELECTRON METAL INC. ANY REPRODUCTION IN PART OR AS A WHOLE WITHOUT THE WRITTEN PERMISSION OF A.I.G. ELECTRON METAL INC IS PROHIBITED.

DRAWN BY: S.B.	Title: SERIES 4000 42RU (21 x 73.5) x 42 SERVER CFG				
CHECKED BY: S.B.					
PROJECT: G:\SWDwgs\Cabinets\Ser4000\EnsemblesServeur\	FILE: Kit21x73x42_1305033212_Eng				
PART NO.: CB4KSV-214242	DRAWING NO.: 1305033212	REV.: A	SCALE: 1:20	DATE: 2013-08-27	SHEET: 2 / 2