



## Main

Range of Product	Lexium Altivar
Range Compatibility	Lexium 32i Lexium 32 Lexium 05 Lexium 15 Lexium 52 Altivar Machine ATV320 Altivar 32 Easy Lexium 16
Product compatibility	ATV32HU11M2 ATV32HU15M2 Variable speed drive ATV320 1.1 kW, 200...240 V, single phase Variable speed drive ATV320 1.5 kW, 200...240 V, single phase Motion servo drive LXM16D 0.1 kW, 200...230 V, single phase Motion servo drive LXM16D 0.2 kW, 200...230 V, single phase Motion servo drive LXM16D 0.4 kW, 200...230 V, single phase Motion servo drive LXM16D 0.75 kW, 200...230 V, single phase Motion servo drive LXM16D 1 kW, 200...230 V, single phase Motion servo drive LXM16D 1.5 kW, 200...230 V, single phase
Product or Component Type	Braking resistor
Ohmic value	72 Ohm

## Complementary

Energy peak	2300 J 480 V 2500 J 400 V 3700 J 230 V 5500 J 115 V
Average power available	25 W 122 °F (50 °C)
Continuous power	100 W
Protection Type	Thermal protection via the servo drive
Net Weight	1.87 lb(US) (0.85 kg)
Cable length	9.84 ft (3 m)

## Environment

IP Degree of Protection	IP65
Ambient Air Temperature for Storage	-13...185 °F (-25...85 °C)
Ambient Air Temperature for Operation	32...122 °F (0...50 °C)

## Ordering and shipping details

Category	18305-MOTION CONTROL CONNECTORS & ACCESS
Discount Schedule	PC51
GTIN	3389119207225
Returnability	No
Country of origin	DE

## Packing Units

Unit Type of Package 1	PCE
Number of Units in Package 1	1
Package 1 Height	1.77 in (4.5 cm)
Package 1 Width	15.75 in (40.0 cm)
Package 1 Length	5.12 in (13.0 cm)
Package 1 Weight	29.63 oz (840.0 g)

## Offer Sustainability

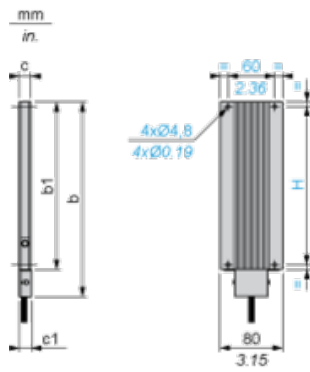
California proposition 65	WARNING: This product can expose you to chemicals including: Lead and lead compounds, which is known to the State of California to cause cancer and birth defects or other reproductive harm. For more information go to <a href="http://www.P65Warnings.ca.gov">www.P65Warnings.ca.gov</a>
REACH Regulation	<a href="#">REACH Declaration</a>
REACH free of SVHC	Yes
EU RoHS Directive	Pro-active compliance (Product out of EU RoHS legal scope) <a href="#">EU RoHS Declaration</a>
Toxic heavy metal free	Yes
Mercury free	Yes
China RoHS Regulation	<a href="#">China RoHS Declaration</a>
RoHS exemption information	<a href="#">Yes</a>

## Contractual warranty

Warranty	18 months
----------	-----------

Braking Resistor

Dimensions



Dimensions in mm

b	b1	c	c1	H
145	110	15	15.5	98

Dimensions in in.

b	b1	c	c1	H
5.70	4.33	0.59	0.61	3.85