

BMENOR2200H

communication module, Modicon M580,
IEC 60870-5-101/104, DNP3, for severe
environments



Main

Range of Product	Modicon X80
Product or Component Type	Communication module
Product compatibility	BMEXBP... - Ethernet + X-bus rack

Complementary

Integrated connection type	1 RS232 RJ45 115200 bit/s 8 wires 1 RS485 RJ45 115200 bit/s 1 twisted shielded pair 1 Ethernet 100 Mbit/s Ethernet backplane
Communication service	DNP3 NET server SAV2/SAv5 with pre-shared key DNP3 NET client SAV2/SAv5 with pre-shared key IEC 60870-5-101 server/client IEC 60870-5-104 server/client Modbus TCP messaging Web server (HTTPS), HTML5 FDR client SNTP client SNMP agent Time stamped events management Automatic events backup on power loss Transparent events routing from remote servers to SCADA Data logging service
Cybersecurity	Role-based access control System hardening Secure communication (HTTPS) Achilles certified Syslog protocol support Transport layer security for RTU protocols SNMP logging Certificate based authentication
Memory description	Support flash SD memory card (BMXRMS004GPF) 4 GB
Supply	Internal power supply via rack
Protective treatment	Conformal coating
Dielectric strength	1500 V DC 1 min, between Serial port and bus/earth
Shock resistance	30 gn
Current consumption	110 mA 24 V DC
Length	3.39 in (86 mm)
Width	1.26 in (32 mm)
Height	5.16 in (131 mm)
Net Weight	0.90 lb(US) (0.41 kg)

The information provided in this documentation contains general descriptions and/or technical characteristics of the performance of the products contained herein. This documentation is not intended as a substitute for and is not to be used for determining suitability or reliability of these products for specific user applications. It is the duty of any such user or integrator to perform the appropriate and complete risk analysis, evaluation and testing of the products with respect to the relevant specific application or use thereof. Neither Schneider Electric Industries SAS nor any of its affiliates or subsidiaries shall be responsible or liable for misuse of the information contained herein.

Environment

Ambient Air Temperature for Storage	-40...185 °F (-40...85 °C)
Ambient Air Temperature for Operation	-13...158 °F (-25...70 °C)
Relative humidity	5...95 % at 55 °C
IP Degree of Protection	IP20
Directives	2014/35/EU - low voltage directive 2014/30/EU - electromagnetic compatibility 2014/34/EU - ATEX directive
Product certifications	CE[RETURN]UL[RETURN]CSA[RETURN]RCM[RETURN]EAC[RETURN]Merchant Navy[RETURN]ATEX zone 2/22[RETURN]IECEx zone 2/22[RETURN]Safety certification non interfering type 1[RETURN]UKCA
Standards	EN/IEC 61131-2 EN/IEC 61010-2-201 UL 61010-2-201 CSA C22.2 No 61010-2-201 IACS E10 EN/IEC 61000-6-5, interface type 1 and type 2 EN/IEC 61850-3, location G EN/IEC 60079-0
Environmental characteristic	Gas resistant class Gx ISA S71.04 Gas resistant class 3C4 IEC 60721-3-3 Dust resistant class 3S4 IEC 60721-3-3 Sand resistant class 3S4 IEC 60721-3-3 Salt resistant level 2 IEC 68252 Mold growth resistant class 3B2 IEC 60721-3-3 Fungal spore resistant class 3B2 IEC 60721-3-3 Hazardous location class I division 2
Operating altitude	0...6561.68 ft (0...2000 m) 2000 m...5000 m with derating factor
Vibration resistance	3 gn
Local signalling	For cyber security (SEC) 1 LED (green/red) For serial communication (SER COM) 1 LED (yellow) For download in progress (DL) 1 LED (red) For processor or system fault (ERR) 1 LED (red) For memory card fault (CARD ERR) 1 LED (red) For status of Ethernet network (ETH STS) 1 LED (green/red)


Ordering and shipping details

Category	18160-MODICON M340
Discount Schedule	PC34
GTIN	3606489744236
Returnability	No
Country of origin	FR

Packing Units

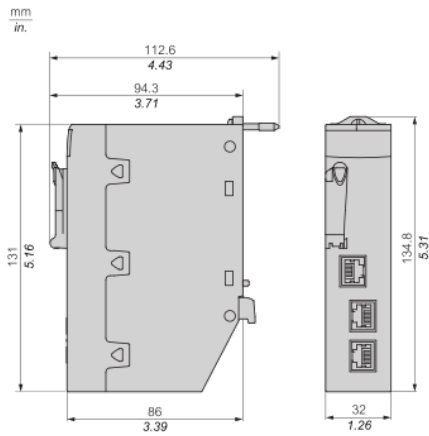
Unit Type of Package 1	PCE
Number of Units in Package 1	1
Package 1 Height	3.39 in (8.6 cm)
Package 1 Width	1.26 in (3.2 cm)
Package 1 Length	5.16 in (13.1 cm)
Package 1 Weight	18.41 oz (522.0 g)

Offer Sustainability

Sustainable offer status	Green Premium product
California proposition 65	WARNING: This product can expose you to chemicals including: Lead and lead compounds, which is known to the State of California to cause cancer and birth defects or other reproductive harm. For more information go to www.P65Warnings.ca.gov
REACH Regulation	 REACH Declaration
EU RoHS Directive	Pro-active compliance (Product out of EU RoHS legal scope)
Mercury free	Yes

China RoHS Regulation	China RoHS Declaration
RoHS exemption information	Yes
Environmental Disclosure	Product Environmental Profile
Circularity Profile	End Of Life Information
WEEE	The product must be disposed on European Union markets following specific waste collection and never end up in rubbish bins.

Dimensions



Module mounted on rack

