

Ordering and shipping details

Category	22558-TSX PREMIUM, ATRIUM & PL7 PRO
Discount Schedule	PC22
GTIN	3389110876246
Returnability	No
Country of origin	FR

Packing Units

Unit Type of Package 1	PCE
Number of Units in Package 1	1
Package 1 Height	2.17 in (5.5 cm)
Package 1 Width	7.09 in (18.0 cm)
Package 1 Length	10.24 in (26.0 cm)
Package 1 Weight	15.98 oz (453.0 g)
Unit Type of Package 2	S03
Number of Units in Package 2	8
Package 2 Height	11.81 in (30.0 cm)
Package 2 Width	11.81 in (30.0 cm)
Package 2 Length	15.75 in (40.0 cm)
Package 2 Weight	9.12 lb(US) (4.139 kg)

Offer Sustainability

California proposition 65	WARNING: This product can expose you to chemicals including: Lead and lead compounds which is known to the State of California to cause cancer and birth defects or other reproductive harm. For more information go to www.p65warnings.ca.gov
---------------------------	--

Contractual warranty

Warranty	18 months
----------	-----------

Standard and Extendable Racks for Modules Mounting

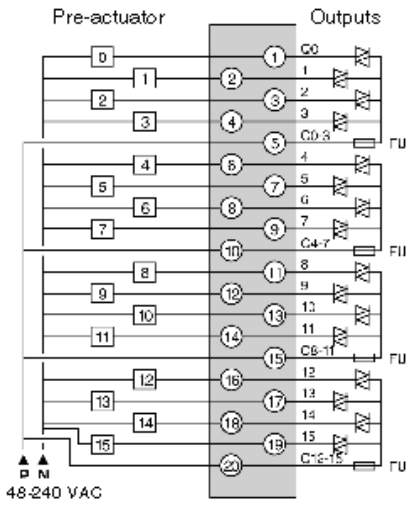
Dimensions of Modules and Racks



- (1) With screw terminal block modules.
- (2) Maximum depth for all types of modules and their associated connectors.

Discrete Bidirectional Triode Thyristor Output 16-Channel Module

Wiring Diagram



FU Ultra-quick blow interchangeable 5 A fuse