

Product data sheet

Specifications

SQUARE D



SPD, HEPD type 2, 120/240 V, 1 PH, 3 wire, 50 kA

HEPD50

Main

Product	Surge protection device
Range	Square D
Device Short Name	HEPD

Complementary

Voltage Rating	120/240 V AC
MCOV	150 V
SCCR	25 kA
Surge Current	50 kA per phase
Voltage Protection Rating	600 V L-N 600 V L - G 1000 V L - L 900 V N - G
Nominal Discharge Current	10 kA
Rated Current	10 kA
Number of Phases	1 phase
Wiring Configuration	3-wire (isolated ground)
Local Signalling	1 LED green normal operation
Product destination	Load center
Height	3.23 in (82.04 mm)
Width	3.72 in (94.49 mm)
Depth	2.10 in (53.34 mm)

Environment

Ambient Operating	-31...149 °F (-35...65 °C)
Enclosure Rating	NEMA 4X
Standards	UL 1449 CUL UL 1449:ed. 4 type II

Packing Units

Unit Type of Package 1	PCE
Number of Units in Package 1	1
Package 1 Height	3.200 in (8.128 cm)
Package 1 Width	5.900 in (14.986 cm)

Package 1 Length	8.000 in (20.320 cm)
Package 1 Weight	14.400 oz (408.233 g)
Unit Type of Package 2	CAR
Number of Units in Package 2	3
Package 2 Height	6.500 in (16.510 cm)
Package 2 Width	8.600 in (21.844 cm)
Package 2 Length	11.000 in (27.940 cm)
Package 2 Weight	3.261 lb(US) (1.479 kg)

Contractual warranty

Warranty (in months)	18
-----------------------------	----



Environmental Data

Schneider Electric aims to achieve Net Zero status by 2050 through supply chain partnerships, lower impact materials, and circularity via our ongoing “Use Better, Use Longer, Use Again” campaign to extend product lifetimes and recyclability.

[Environmental Data explained >](#)

[How we assess product sustainability >](#)



Environmental footprint

Total lifecycle Carbon footprint	240 kg CO2 eq.
Carbon footprint of the manufacturing phase [A1 to A3]	3 kg CO2 eq.
Carbon footprint of the distribution phase [A4]	0.2 kg CO2 eq.
Carbon footprint of the installation phase [A5]	0 kg CO2 eq.
Carbon footprint of the use phase [B2, B3, B4, B6]	236 kg CO2 eq.
Carbon footprint of the end-of-life phase [C1 to C4]	0.9 kg CO2 eq.
Environmental Disclosure	Product Environmental Profile

Use Better



Materials and Substances

Packaging made with recycled cardboard	No
Packaging without single use plastic	No
EU RoHS Directive	Compliant By Exemption
REACH Regulation	Reference contains Substances of Very High Concern above the threshold

Use Longer



Lifetime extension

Repair	No
--------	----

Use Again

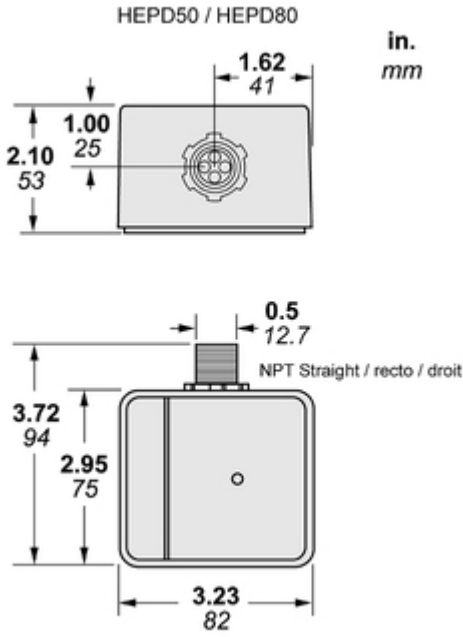


Repack and remanufacture

Recyclability potential, in %	9
Circularity Profile	End of Life Information
Take-back	No
WEEE Label	 The product must be disposed on European Union markets following specific waste collection and never end up in rubbish bins

Technical Illustration

Dimensions



Technical Illustration

Wiring diagram

Typical AC Surge Module Wiring Connection Diagrams
Refer to document number NVE82551 for installation instructions.

